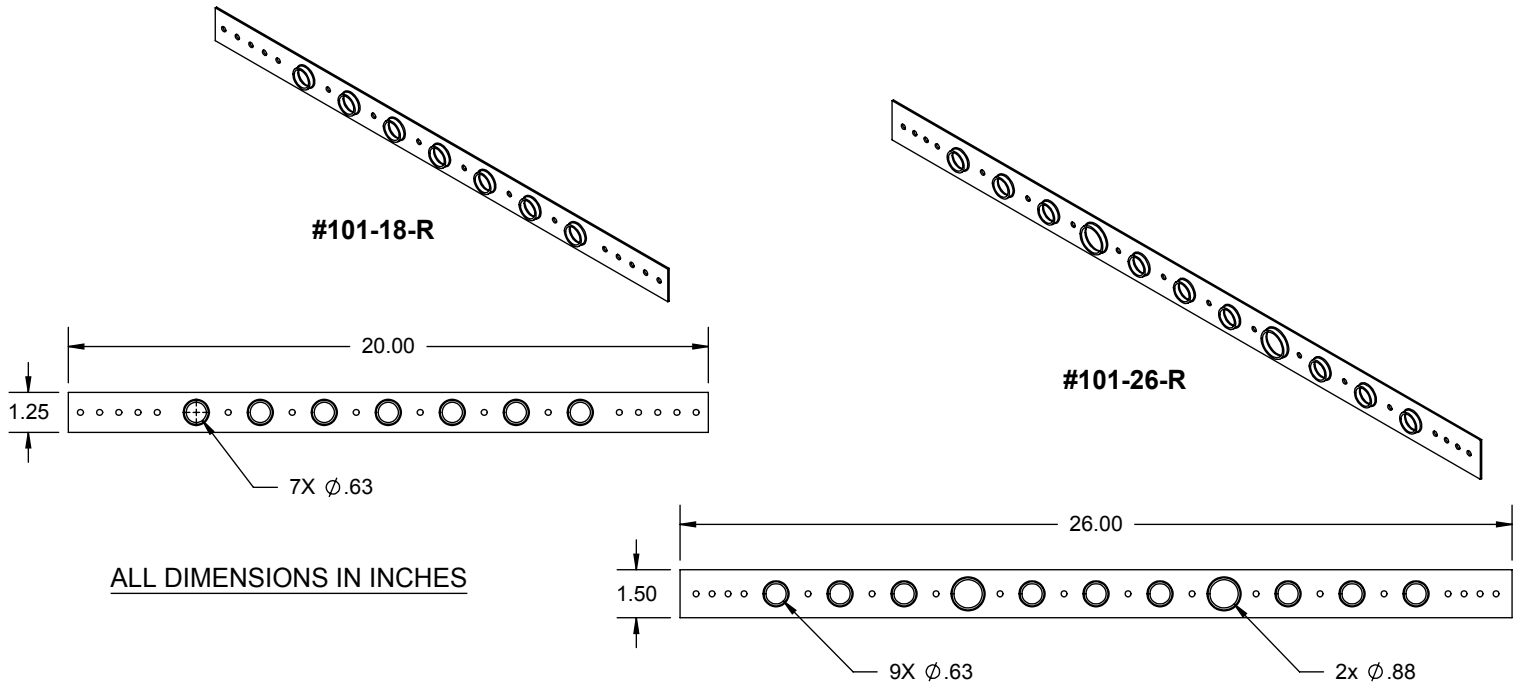


PRODUCT SPECIFICATION DRAWING

HOLDRITE® #101-18-R & #101-26-R

Supports copper water supplies for sinks, water closets and other fixtures



The HOLDRITE #101-18-R and #101-26-R are Copper-Bonded™ steel brackets with extruded holes. The #101-18-R has 5/8" holes on 2" centers. The #101-26-R has 5/8" holes on 2" centers and 2 - 7/8" holes on 8" centers. Each to support 1/2" or 3/4" copper tubing. The #101-18-R and #101-26-R position copper water supplies for sinks, water closets, and other fixtures. When soldering, heat the pipe, not the bracket.

Product Information:

- Material: 16 gage CRS, Copper-Bonded™
- Load rating: 25 pounds
- UPC / IPC / IAPMO listed



THIS INFORMATION IS PROPRIETARY TO HOLDRITE AND IS SUBJECT TO CHANGE WITHOUT NOTICE. IT MAY NOT BE REPRODUCED IN PART OR WHOLE WITHOUT WRITTEN AUTHORIZATION.

HOLDRITE®

CONVERTING MAKESHIFT METHODS INTO ENGINEERED SOLUTIONSSM
800-321-0316 OR 760-744-6944 / FAX: 760-744-0507 / WWW.HOLDRITE.COM
spec_101-18-R_-26-R_RevE

Product Submittal	
Job Name:	
Date:	
Part Number:	Qty:
Architect / Owner:	
Contractor:	
Notes:	