

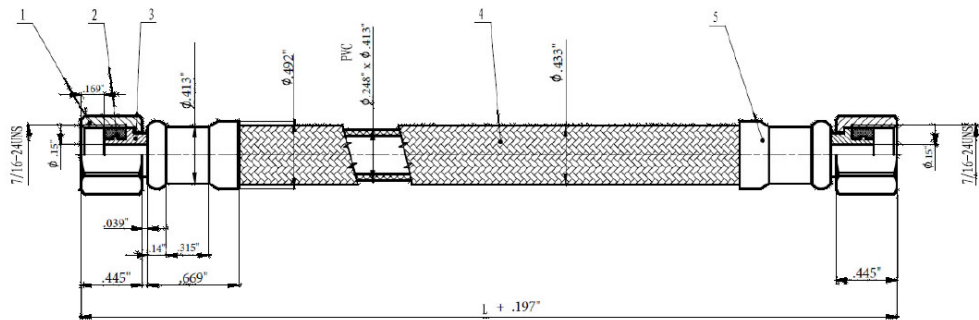
## Icemaker Connectors

### Features and Benefits

- PVC reinforced inner core hose
- 304 Stainless steel braiding
- Stainless steel ferrule
- Chrome plated brass nuts
- Universal fit: Includes 3/8" Comp x 3/8" MIP and 3/8" Comp x 3/4" FHT Elbows
- Individually bagged and barcoded
- Lead Free



ITEM#	DESCRIPTION	LENGTH	INNER CASE QTY	MASTER CASE QTY
M1M60	1/4" COMP X 1/4" COMP	60" (5 FT)	1	12
M1M72	1/4" COMP X 1/4" COMP	72" (6 FT)	1	12
M1M120	1/4" COMP X 1/4" COMP	120" (10 FT)	1	12



NO.	MATERIAL
1	LF Brass (C46500)
2	EPDM Rubber
3	LF Brass (C46500)
4	304 Stainless Steel
5	304 SS over Re-inforced PVC

\*Lead Free refers to the wetted surface of pipe, fittings and fixtures in potable water systems that have a weighted average lead content  $\leq 0.25\%$  per the Safe Drinking Water Act (Sec. 1417) ammended 1-4-2011 and other equivalent state regulations.

HYDRAPRO INC.

Phone: 877-813-2333; Fax 877-249-8435

Atlanta - Boston - Dallas - Pompano Beach - Houston - Philadelphia

www.hydrapro.biz

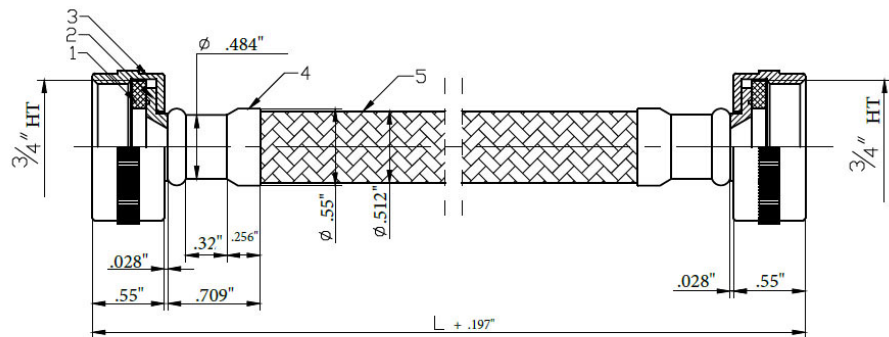
## Washing Machine Connectors

### Features and Benefits

- PVC reinforced inner core hose
- 304 Stainless steel braiding
- Stainless steel ferrule
- Chrome plated brass nuts
- Max working pressure: 125 psi at 180 degrees
- Universal Fit: Includes 3/8" Comp x 3/8" MIP and 3/8" Comp x 3/4" FHT Elbows
- Individually bagged and barcoded
- Lead Free



ITEM#	DESCRIPTION	LENGTH	INNER CASE QTY	MASTER CASE QTY
M1W60	3/4" FHT X 3/4" FHT	60" (5 FT)	1	12
M1W72	3/4" FHT X 3/4" FHT	72" (6 FT)	1	12



NO.	MATERIAL
1	EPDM RUBBER
2	LF Brass (C46500)
3	LF Brass (C46500)
4	304 Stainless Steel
5	304 SS over Re-inforced PVC

\*Lead Free refers to the wetted surface of pipe, fittings and fixtures in potable water systems that have a weighted average lead content  $\leq 0.25\%$  per the Safe Drinking Water Act (Sec. 1417) ammended 1-4-2011 and other equivalent state regulations.

HYDRAPRO INC.

Phone: 877-813-2333; Fax 877-249-8435

Atlanta - Boston - Dallas - Pompano Beach - Houston - Philadelphia

www.hydrapro.biz

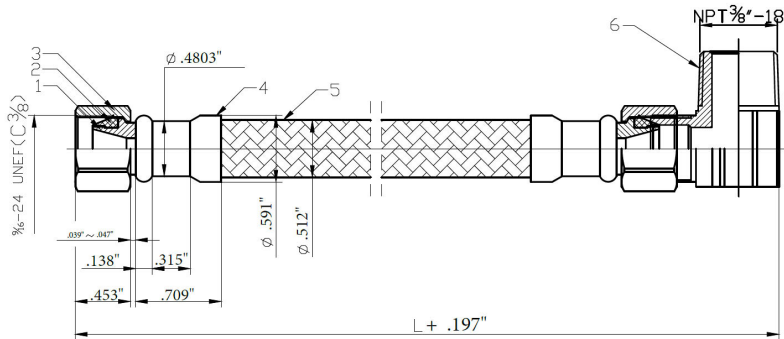
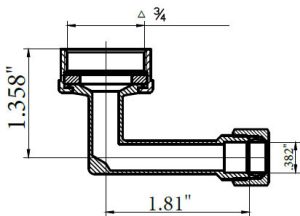
## Dishwasher Connectors

### Features and Benefits

- PVC reinforced inner core hose
- 304 Stainless steel braiding
- Stainless steel ferrule
- Chrome plated brass nuts
- Universal fit: Includes 3/8" Comp x 3/8" MIP and 3/8" Comp x 3/4" FHT Elbows
- Individually bagged and barcoded
- Lead Free



ITEM#	DESCRIPTION	LENGTH	INNER CASE QTY	MASTER CASE QTY
M1D60	3/8" COMP X 3/8" COMP OR 3/4" FHT	60" (5 FT)	1	12
M1D72	3/8" COMP X 3/8" COMP OR 3/4" FHT	72" (6 FT)	1	12



NO.	MATERIAL
1	LF Brass (C46500)
2	EPDM Rubber
3	LF Brass (C46500)
4	304 Stainless Steel
5	304 SS over Re-inforced PVC

\*Lead Free refers to the wetted surface of pipe, fittings and fixtures in potable water systems that have a weighted average lead content  $\leq 0.25\%$  per the Safe Drinking Water Act (Sec. 1417) amended 1-4-2011 and other equivalent state regulations.

HYDRAPRO INC.

Phone: 877-813-2333; Fax 877-249-8435

Atlanta - Boston - Dallas - Pompano Beach - Houston - Philadelphia

www.hydrapro.biz

## Dishwasher Connectors

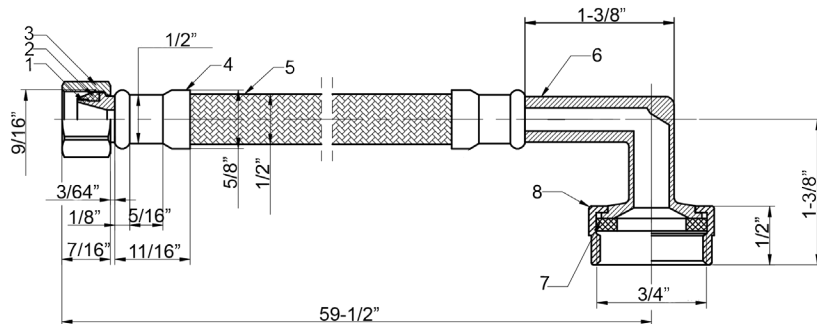
### Features and Benefits



- PVC reinforced inner core hose
- 304 Stainless steel braiding
- Stainless steel ferrule
- Chrome plated brass nuts
- 3/8" Comp x 3/4" FHT Elbows
- Individually bagged and barcoded
- Lead Free



ITEM#	DESCRIPTION	LENGTH	INNER CASE QTY	MASTER CASE QTY
M1D60W	3/8" COMP X 3/4" FHT	60" (5 FT)	1	12



NO.	MATERIAL
1	LF Brass (C37100)
2	EPDM Rubber
3	LF Brass (HPb57-3)
4	304 Stainless Steel
5	304 SS over Re-inforced PVC
6	LF Brass (C46500)
7	NBR
8	LF Brass (HPb57-3)

\*Lead Free refers to the wetted surface of pipe, fittings and fixtures in potable water systems that have a weighted average lead content  $\leq 0.25\%$  per the Safe Drinking Water Act (Sec. 1417) amended 1-4-2011 and other equivalent state regulations.

HYDRAPRO INC.

Phone: 877-813-2333; Fax 877-249-8435

Atlanta - Boston - Dallas - Pompano Beach - Houston - Philadelphia

www.hydrapro.biz