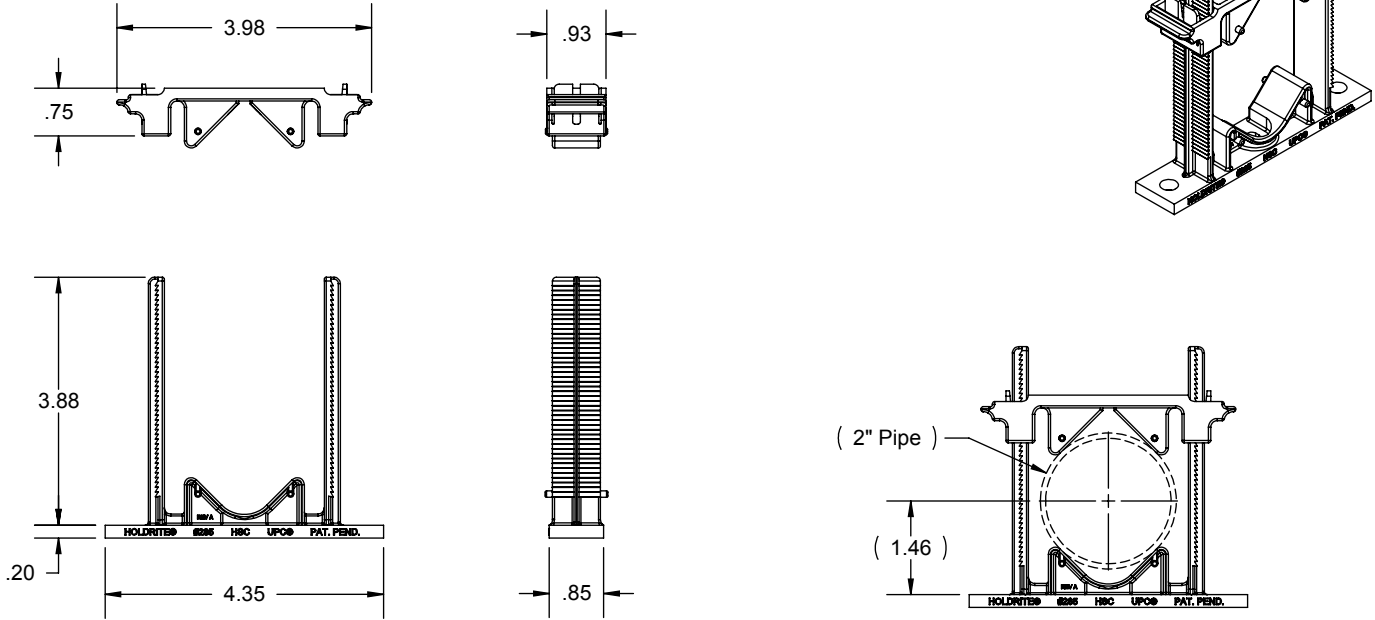


PRODUCT SPECIFICATION DRAWING

HOLDRITE® FLAME FIGHTER™ #285-S

(25/50 Plenum Rated)



ALL DIMENSIONS IN INCHES

The HOLDRITE Stout Clamp™ #285-S is a flame and smoke rated variable closure clamp. Clamp supports 1" to 2" CTS/IPS tubing sizes. Supports Copper, PEX, CPVC tubing, conduit, etc. Material meets ASTM E-84 25/50 and UL94V-0 fire rating.

Product Information:

- Material: Kynar Flex, Yellow, UL94V-0
- Temperature range: -20 °F to +200 °F
- Load rating: 75 lbs in suspended mode, 300 lbs maximum in top mount
- Meets ASTM E-84 25/50 and UL94V-0
- UPC / IPC / IAPMO listed



THIS INFORMATION IS PROPRIETARY TO HOLDRITE AND IS SUBJECT TO CHANGE WITHOUT NOTICE. IT MAY NOT BE REPRODUCED IN PART OR WHOLE WITHOUT WRITTEN AUTHORIZATION.

HOLDRITE®

CONVERTING MAKESHIFT METHODS INTO ENGINEERED SOLUTIONSSM
800-321-0316 OR 760-744-6944 / FAX: 760-744-0507 / WWW.HOLDRITE.COM
spec_285-S_RevD

Product Submittal	
Job Name:	
Date:	
Part Number:	Qty:
Architect / Owner:	
Contractor:	
Notes:	