

PROJECT: _____	UNIT TAG: _____	QUANTITY: _____
REPRESENTATIVE: _____	TYPE OF SERVICE: _____	DATE: _____
ENGINEER: _____	SUBMITTED BY: _____	DATE: _____
CONTRACTOR: _____	APPROVED BY: _____	DATE: _____
	ORDER NO.: _____	DATE: _____

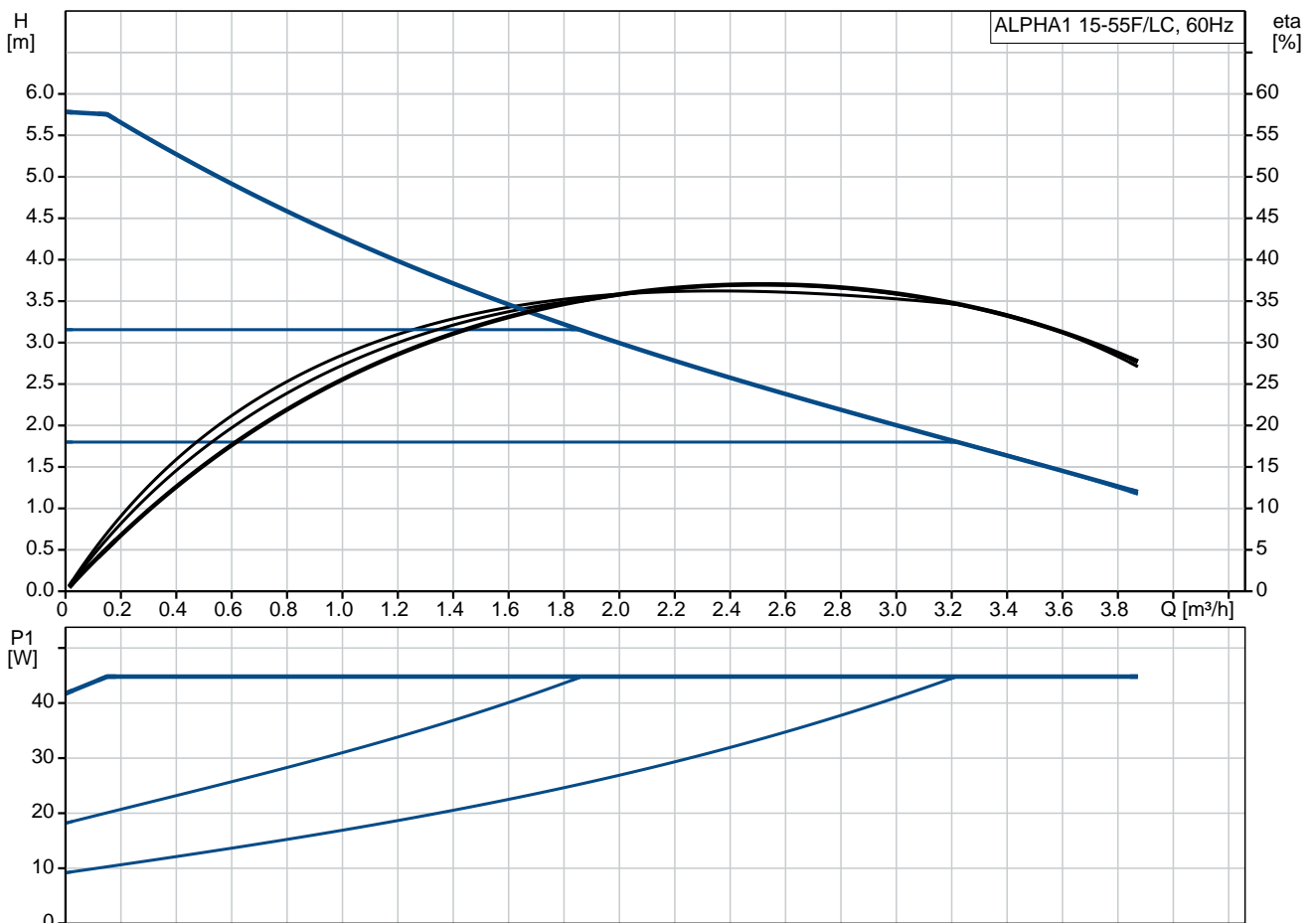


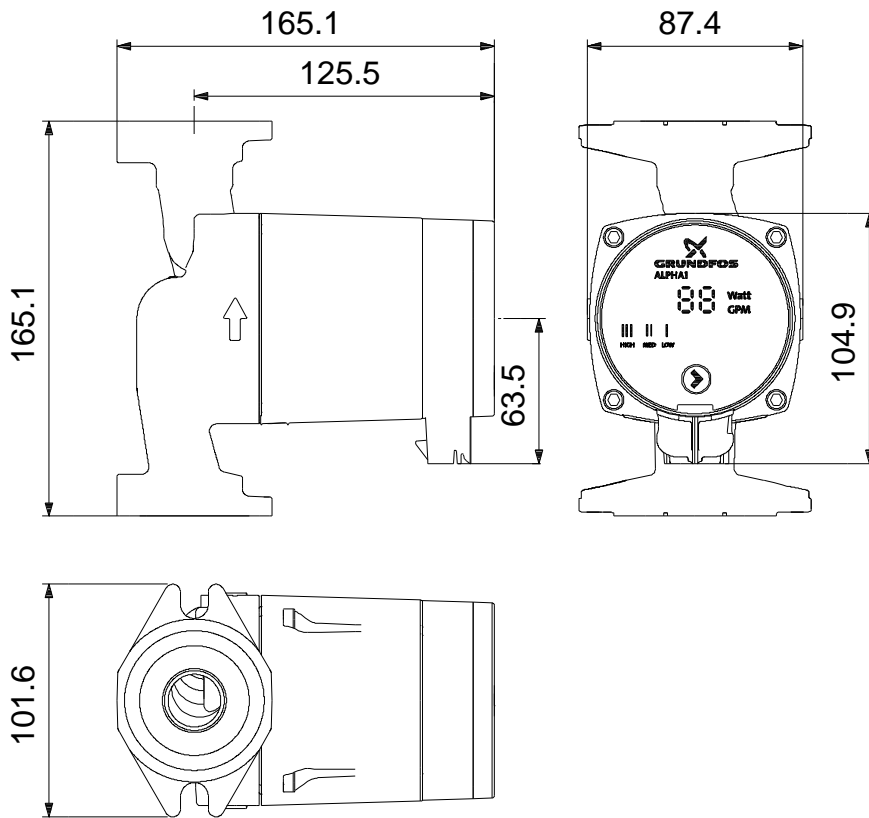
## ALPHA1 15-55F/LC

Grundfos ALPHA1 pumps are high-efficiency circulators, designed for circulating liquids in heating systems, and for domestic hot-water recirculation. Featuring three constant-pressure control modes. Suitable as an upgrade and replacement pump.

Note! Product picture may differ from actual product

Conditions of Service	Pump Data	Motor Data
Flow: _____	Maximum operating pressure: 10 bar	P1 max: 5 .. 45 W
Head: _____	Liquid temperature range: 2 .. 110 °C	Rated voltage: 115 V
Efficiency: _____	Maximum ambient temperature: 40 °C	Mains frequency: 60 Hz
Liquid: Water	Approvals: ETL, FCC	Enclosure class: IP42
Temperature: 60 °C	Pipe connection: 1 1/2	Insulation class: F
NPSH required: m	Product number: 99285998	Motor protection: NONE
Viscosity: _____		Thermal protection: ELEC
Specific Gravity: 0.985		





**Materials:**

Pump housing: Cast iron  
EN 1561 EN-GJL-150  
Impeller: Composite