

| | | |
|-----------------------|------------------------|-----------------|
| PROJECT: _____ | UNIT TAG: _____ | QUANTITY: _____ |
| REPRESENTATIVE: _____ | TYPE OF SERVICE: _____ | DATE: _____ |
| ENGINEER: _____ | SUBMITTED BY: _____ | DATE: _____ |
| CONTRACTOR: _____ | APPROVED BY: _____ | DATE: _____ |
| | ORDER NO.: _____ | DATE: _____ |

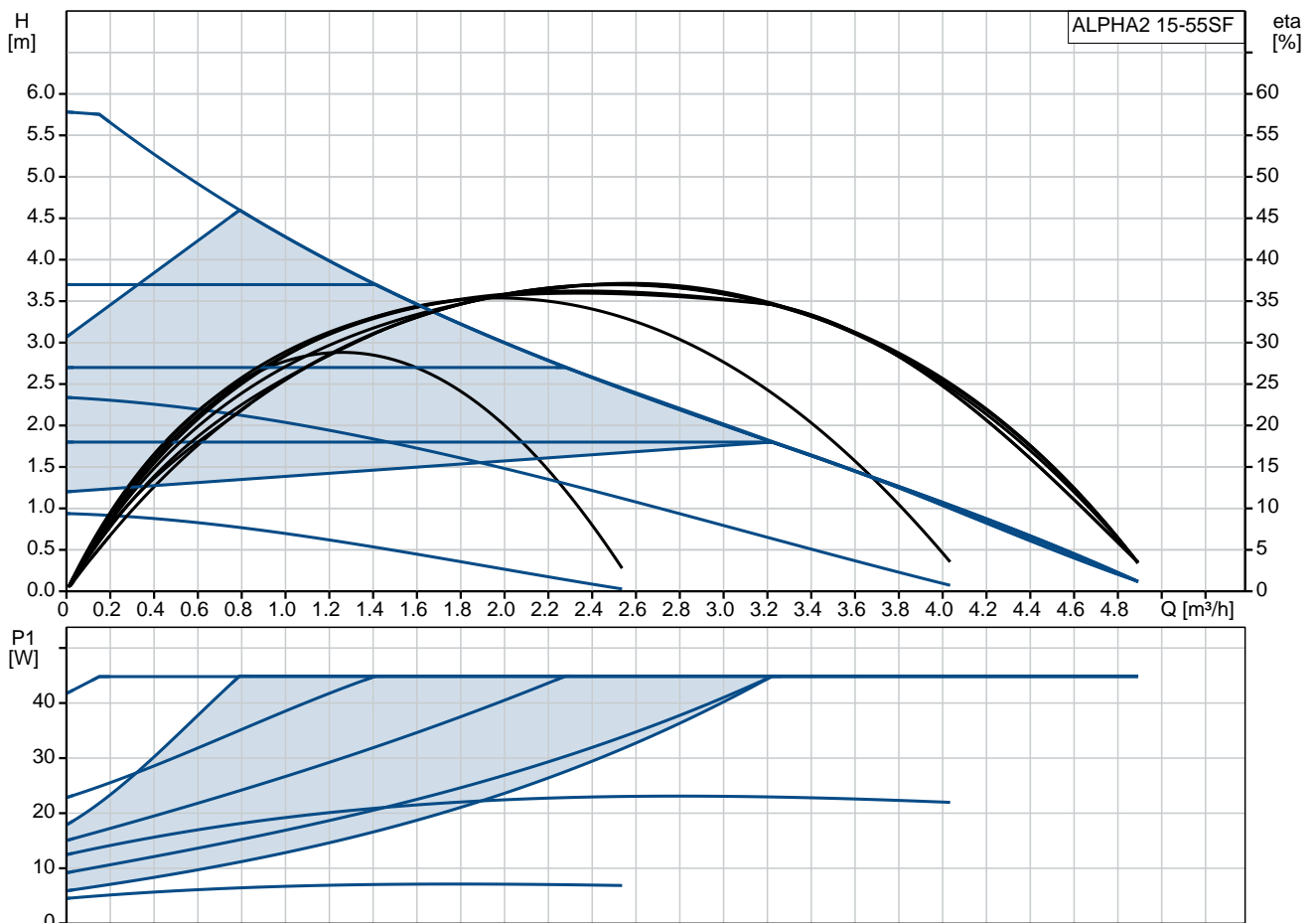


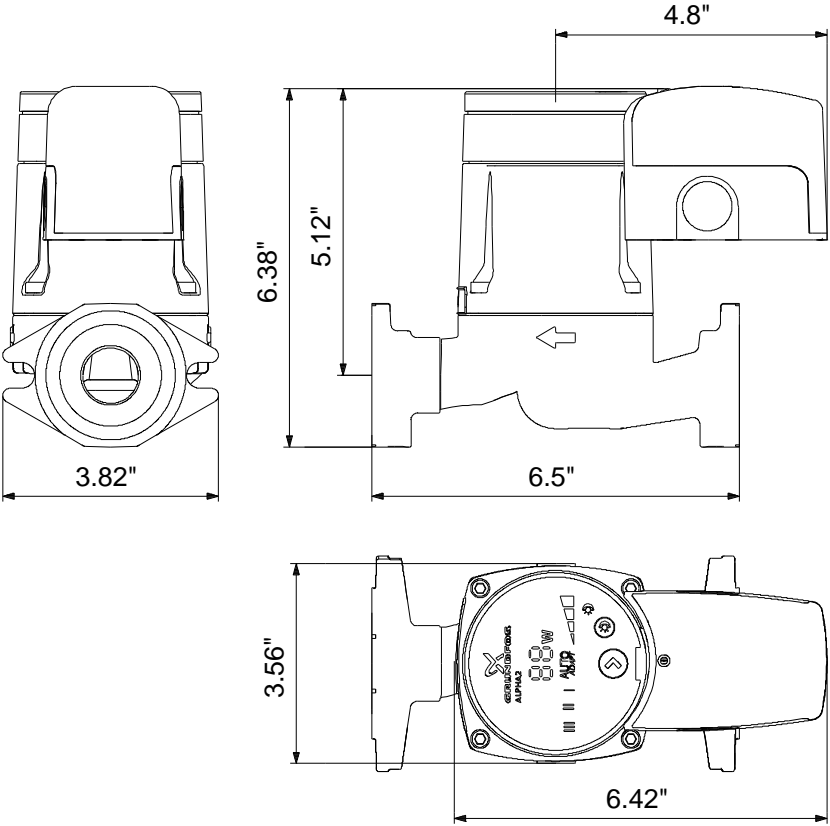
ALPHA2 15-55SF

Grundfos ALPHA2 pumps are high-efficiency circulators, designed for circulating liquids in heating systems, and for domestic hot-water recirculation. The pump features AUTOADAPT which automatically adjusts the pump to system demands for lowest energy consumption.

Note! Product picture may differ from actual product

| Conditions of Service | Pump Data | Motor Data |
|-------------------------|---------------------------------------|--------------------------|
| Flow: _____ | Maximum operating pressure: 10 bar | P1 max: 5 .. 45 W |
| Head: _____ | Liquid temperature range: 2 .. 110 °C | Rated voltage: 115 V |
| Efficiency: _____ | Maximum ambient temperature: 40 °C | Mains frequency: 60 Hz |
| Liquid: Water | Approvals: ETL, FCC, NSF | Enclosure class: IP42 |
| Temperature: 60 °C | Pipe connection: 1 1/2 | Insulation class: F |
| NPSH required: m | Product number: 99163937 | Motor protection: NONE |
| Viscosity: _____ | | Thermal protection: ELEC |
| Specific Gravity: 0.985 | | |





Materials:
Pump housing: Stainless steel
EN 1.4308
Impeller: Composite