



# 1.5" Green Drain™

## Waterless Trap Seal for Floor Drains

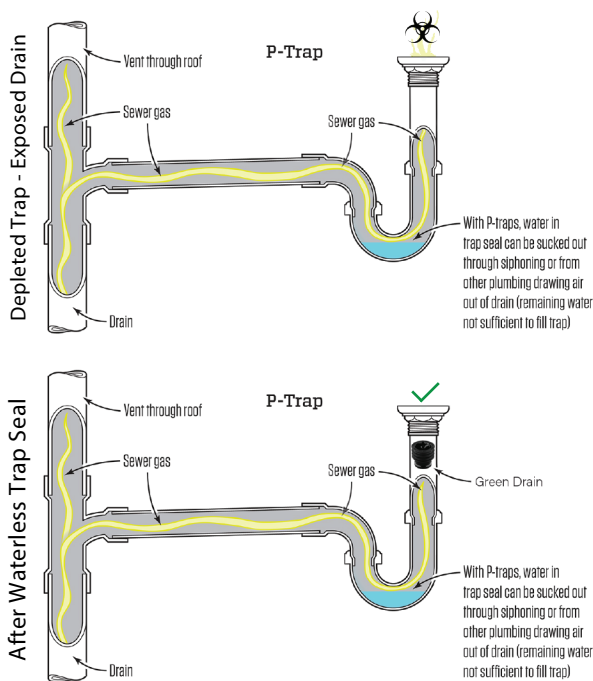
MODEL: GD15

**Specification:** Green Drain (model: GD15) Waterless Trap Seal for 1.5" Drains.  
ABS Plastic Housing | One-way Silicone Valve | Silicone Gasket

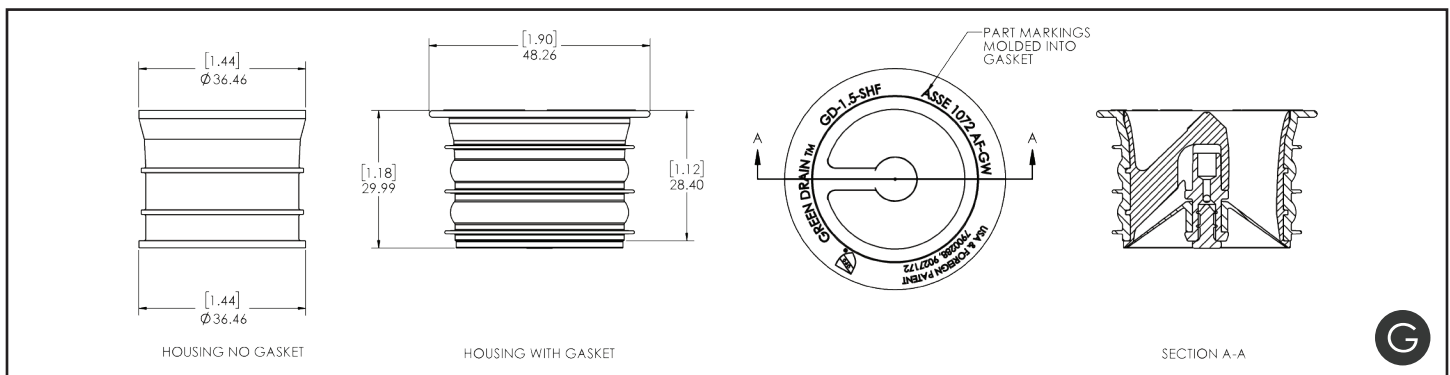
**Function:** Installs into the outlet of drain bodies, or drain hubs to protect the trap seal from evaporation. It prevents drain odors, sewer gases, or harmful biological aerosols or pathogens from infiltrating your building. Plus, it also helps to keep pests out. Provides waterless trap seal protection equivalent to water based trap primers.

- New Construction: Used as a trap primer replacement or in conjunction with a trap primer to provide protection against escaping sewer gases. Eliminates the need to repair/replace trap primers when they fail.
- Retrofit: Used in situations where trap primers have failed or where trap primers were never installed.

**Benefits:** Simple to install, eliminates the need for complex, time consuming, and expensive repairs. ECO friendly providing 100% water savings efficiency over traditional methods.



Patent No. 7900288 and 9027172





# 2" Green Drain™

## Waterless Trap Seal for Floor Drains

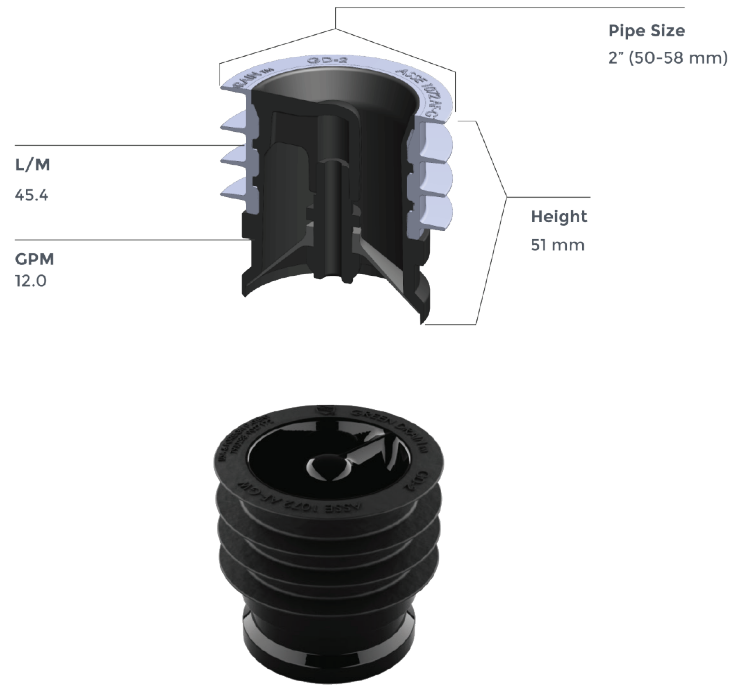
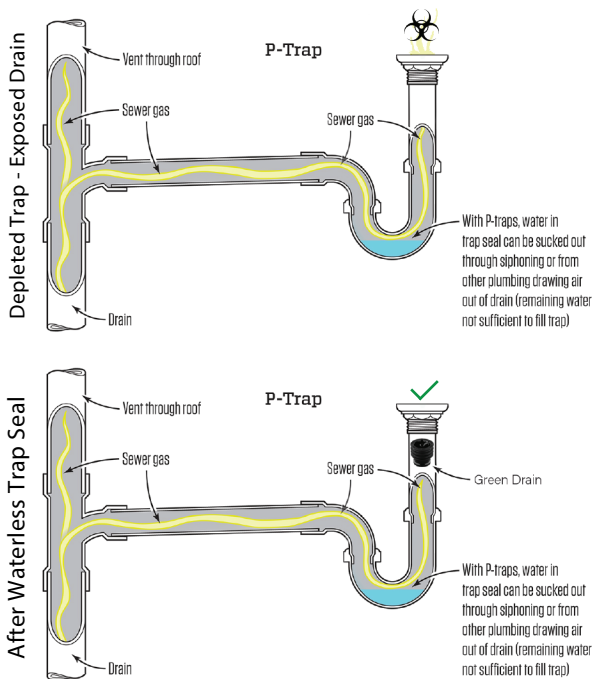
MODEL: GD2

**Specification:** Green Drain (model: GD2) Waterless Trap Seal for 2" Drains.  
ABS Plastic Housing | One-way Silicone Valve | Silicone Gasket

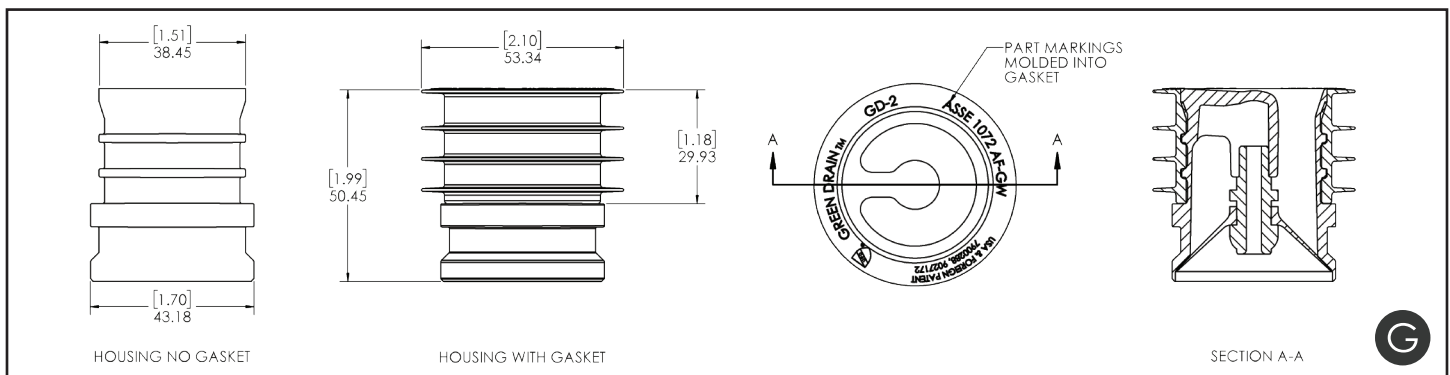
**Function:** Installs into the outlet of drain bodies, or drain hubs to protect the trap seal from evaporation. It prevents drain odors, sewer gases, or harmful biological aerosols or pathogens from infiltrating your building. Plus, it also helps to keep pests out. Provides waterless trap seal protection equivalent to water based trap primers.

- New Construction: Used as a trap primer replacement or in conjunction with a trap primer to provide protection against escaping sewer gases. Eliminates the need to repair/replace trap primers when they fail.
- Retrofit: Used in situations where trap primers have failed or where trap primers were never installed.

**Benefits:** Simple to install, eliminates the need for complex, time consuming, and expensive repairs. ECO friendly providing 100% water savings efficiency over traditional methods.



Patent No. 7900288 and 9027172





# 3" Green Drain™

## Waterless Trap Seal for Floor Drains

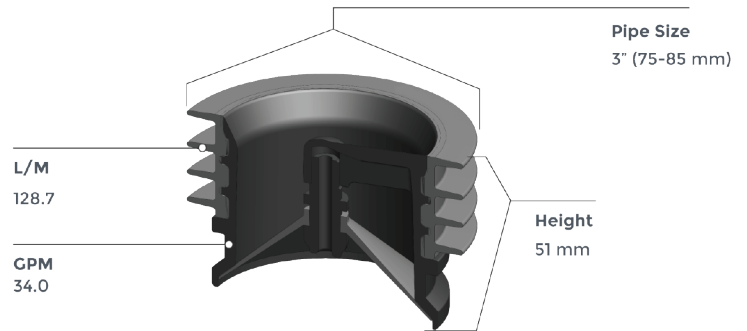
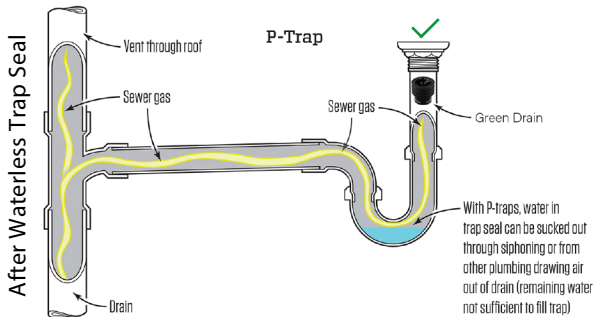
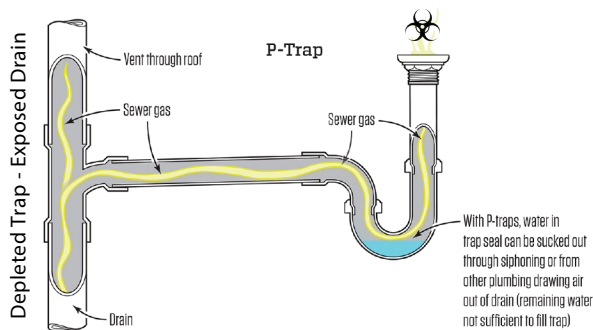
MODEL: GD3

**Specification:** Green Drain (model: GD3) Waterless Trap Seal for 3" Drains.  
ABS Plastic Housing | One-way Silicone Valve | Silicone Gasket

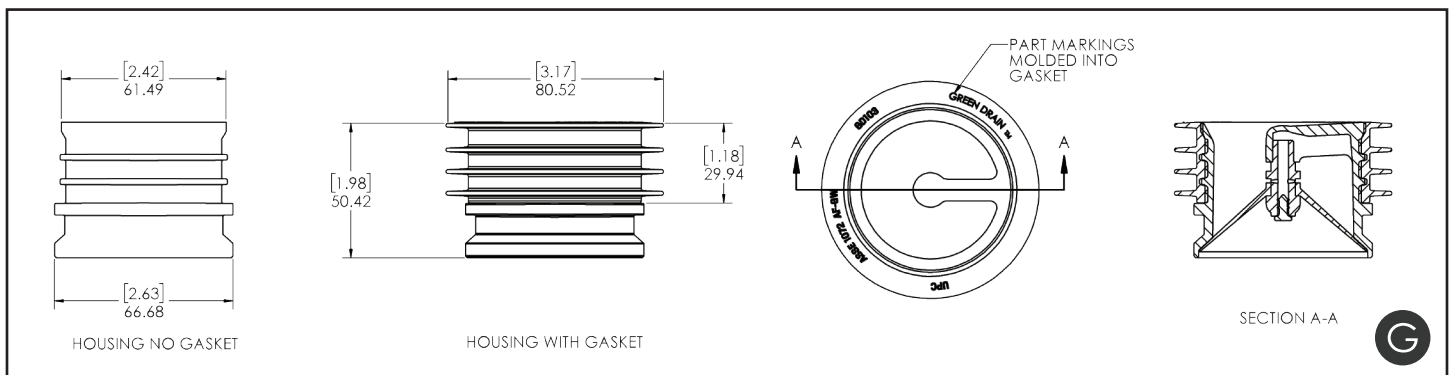
**Function:** Installs into the outlet of drain bodies, or drain hubs to protect the trap seal from evaporation. It prevents drain odors, sewer gases, or harmful biological aerosols or pathogens from infiltrating your building. Plus, it also helps to keep pests out. Provides waterless trap seal protection equivalent to water based trap primers.

- New Construction: Used as a trap primer replacement or in conjunction with a trap primer to provide protection against escaping sewer gases. Eliminates the need to repair/replace trap primers when they fail.
- Retrofit: Used in situations where trap primers have failed or where trap primers were never installed.

**Benefits:** Simple to install, eliminates the need for complex, time consuming, and expensive repairs. ECO friendly providing 100% water savings efficiency over traditional methods.



Patent No. 7900288 and 9027172





# 3.5" Green Drain™

## Waterless Trap Seal for Floor Drains

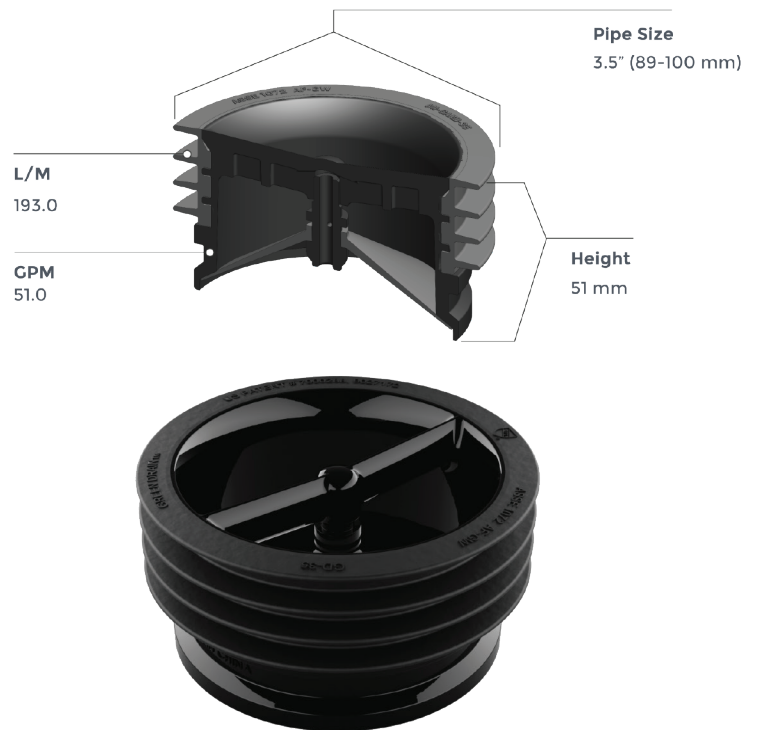
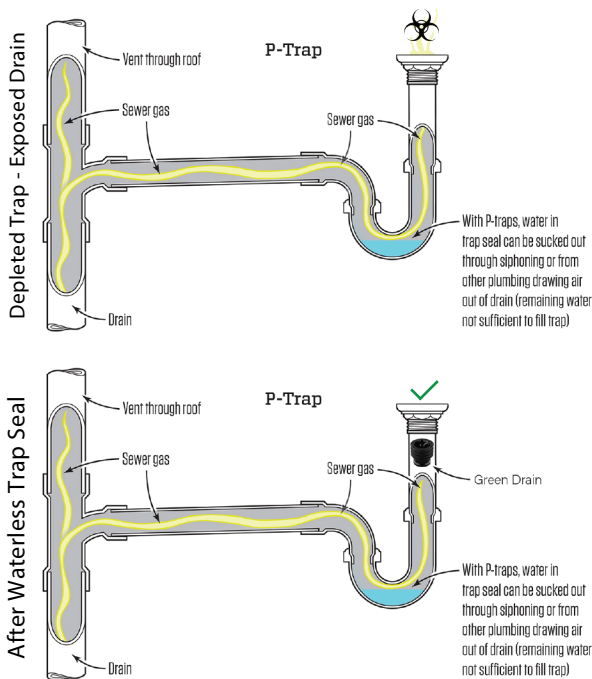
MODEL: GD35

**Specification:** Green Drain (model: GD35) Waterless Trap Seal for 3.5" Drains.  
ABS Plastic Housing | One-way Silicone Valve | Silicone Gasket

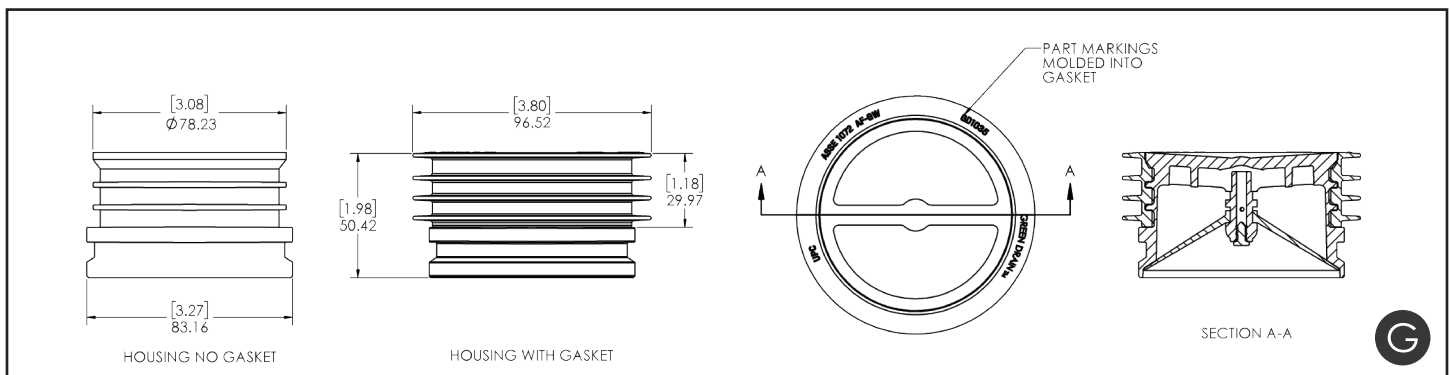
**Function:** Installs into the outlet of drain bodies, or drain hubs to protect the trap seal from evaporation. It prevents drain odors, sewer gases, or harmful biological aerosols or pathogens from infiltrating your building. Plus, it also helps to keep pests out. Provides waterless trap seal protection equivalent to water based trap primers.

- New Construction: Used as a trap primer replacement or in conjunction with a trap primer to provide protection against escaping sewer gases. Eliminates the need to repair/replace trap primers when they fail.
- Retrofit: Used in situations where trap primers have failed or where trap primers were never installed.

**Benefits:** Simple to install, eliminates the need for complex, time consuming, and expensive repairs. ECO friendly providing 100% water savings efficiency over traditional methods.



Patent No. 7900288 and 9027172





# 4" Green Drain™

## Waterless Trap Seal for Floor Drains

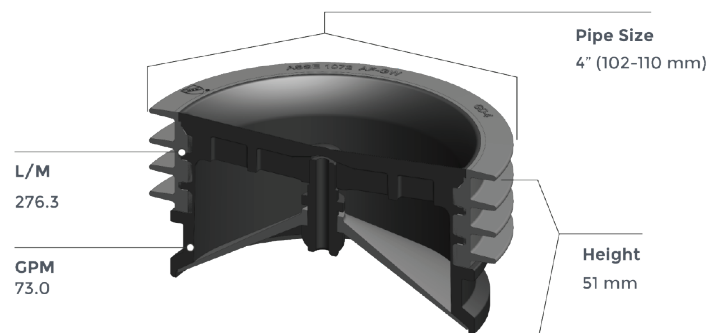
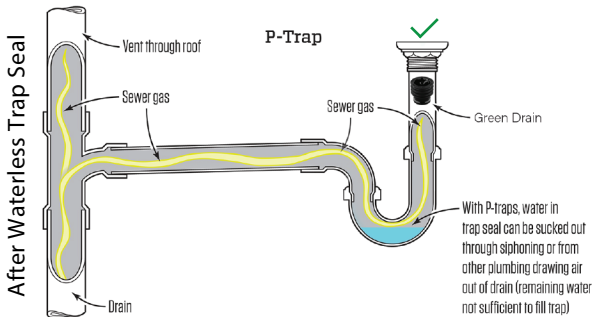
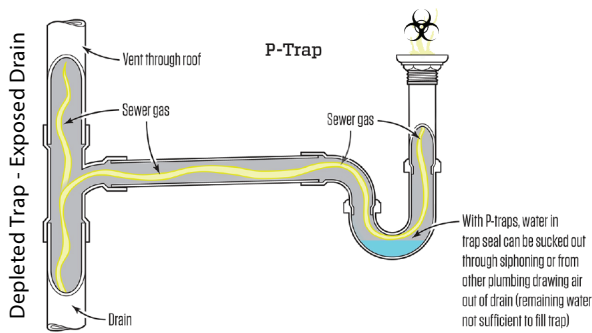
MODEL: GD4

**Specification:** Green Drain (model: GD4) Waterless Trap Seal for 4" Drains.  
ABS Plastic Housing | One-way Silicone Valve | Silicone Gasket

**Function:** Installs into the outlet of drain bodies, or drain hubs to protect the trap seal from evaporation. It prevents drain odors, sewer gases, or harmful biological aerosols or pathogens from infiltrating your building. Plus, it also helps to keep pests out. Provides waterless trap seal protection equivalent to water based trap primers.

- New Construction: Used as a trap primer replacement or in conjunction with a trap primer to provide protection against escaping sewer gases. Eliminates the need to repair/replace trap primers when they fail.
- Retrofit: Used in situations where trap primers have failed or where trap primers were never installed.

**Benefits:** Simple to install, eliminates the need for complex, time consuming, and expensive repairs. ECO friendly providing 100% water savings efficiency over traditional methods.



Patent No. 7900288 and 9027172

