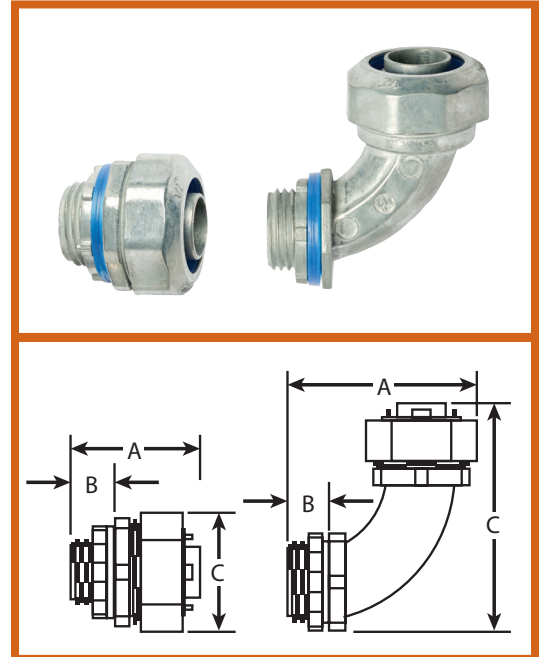


# METALLIC FITTINGS

## STRAIGHT AND 90° ZINC DIE CAST LIQUID-TIGHT CONNECTORS

- 1/2", 3/4" and 1" stocked, with more sizes available
- For use with both Metallic Liquid Tight Conduit and Nonmetallic Liquid Tight Type B
- Zinc die cast construction resists salt water, weak acids, gasoline, alcohol, oil, grease, & common solvents
- Resistant to outdoor weather conditions
- No disassembly required. Instead, the installer simply twists the conduit or tubing onto the ferrule, tightening the domed sealing nut. The completed assembly can then be secured in the chassis by the locknut (or first secure the connector into an NPT threaded hole)
- No threading of the conduit or tubing required to install, eliminating the possibility of cutting the conduit & creating leak paths
- Complete conduit/connector system is reusable. Conduit will not wind tight onto the connector during assembly & can be easily removed by pulling while turning clockwise
- Suitable for indoor/outdoor use; for original equipment manufacturers or field installers
- Lower installed cost
- "O" Ring & zinc locknut included
- 90° types have smooth internal surfaces for easier wire installation around corner angles



Part Number	Type	K.O. Size	Dim. A	Dim. B	Dim. C	Case Qty
8042M	Straight	1/2"	1.58"	1.18"	0.53"	100
8043M	Straight	3/4"	1.69"	1.57"	0.58"	100
8044M	Straight	1"	2.06"	1.81"	0.58"	25
8045M	90°	1/2"	2.24"	2.46"	0.53"	100
8046M	90°	3/4"	2.47"	2.47"	0.55"	100
8047M	90°	1"	3.46"	3.86"	0.58"	25



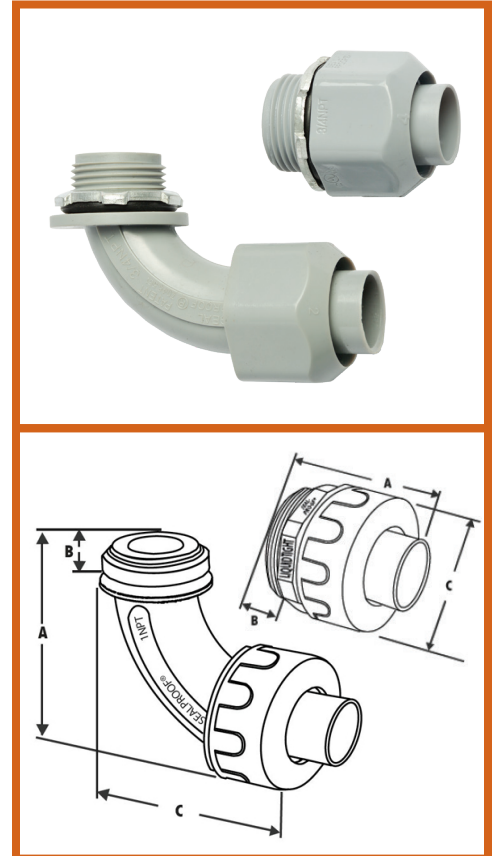
**⚠ WARNING:** Cancer and Reproductive Harm | [www.P65Warnings.ca.gov](http://www.P65Warnings.ca.gov)

[WWW.GLOBALTHESOURCE.COM](http://WWW.GLOBALTHESOURCE.COM) | 800.531.5967

# NON-METALLIC FITTINGS

## LIQUID-TIGHT NON-METALLIC SEALPROOF® CONNECTORS

- Listed under the Underwriter's Laboratories
- 1/2", 3/4" and 1" stocked, with more sizes available
- All nylon construction resists salt water, weak acids, - gasoline, alcohol, oil, grease, and common solvents
- No disassembly required. Instead, the installer simply pushes the conduit or tubing onto the ferrule, tightening the domed sealing nut. The completed assembly can then be secured in the chassis by the locknut (or first secure the connector into a NPT threaded hole)
- No threading of the conduit or tubing is required to install, eliminating the possibility of cutting the conduit and creating leak paths
- Complete conduit/connector system is reusable. Conduit will not wind tight onto the connect ordering assembly and can be easily removed by pulling while turning in a clockwise direction
- Suitable for indoor/outdoor use; for original equipment manufacturers or field installers
- Lower installed cost
- Molded of type nylon 6. Flammability classification 94V-2: temperature index 125°C
- Smooth internal surfaces for easier wire installation around corner angles
- One-piece or multi-piece design
- "0" Ring and steel locknut included



Part Number	Type	K.O. Size	Dim. A	Dim. B	Dim. C	Case Qty
8042	Straight	1/2"	1.750"	0.500"	1.250"	100
8042X	Straight Multi-Piece	1/2"	2.000"	0.540"	1.400"	25
8043	Straight	3/4"	1.800"	0.625"	1.500"	100
8043X	Straight Multi-Piece	3/4"	2.200"	0.635"	1.700"	10
8044	Straight	1"	2.280"	0.740"	2.000"	5
8045	90°	1/2"	1.875"	0.500"	3.125"	100
8045X	90° Multi-Piece	1/2"	2.120"	0.500"	3.120"	10
8046	90°	3/4"	2.375"	0.625"	3.500"	100
8046X	90° Multi-Piece	3/4"	2.500"	0.520"	3.600"	10
8047	90°	1"	3.125"	0.700"	4.125"	5

**⚠ WARNING:** Cancer and Reproductive Harm | [www.P65Warnings.ca.gov](http://www.P65Warnings.ca.gov)

[WWW.GLOBALTHESOURCE.COM](http://WWW.GLOBALTHESOURCE.COM) | 800.531.5967

