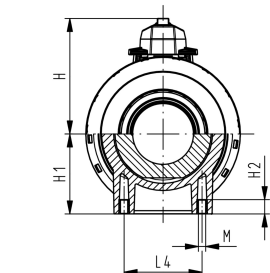
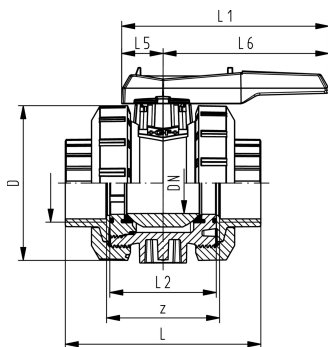
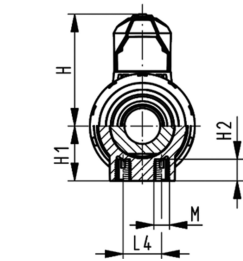
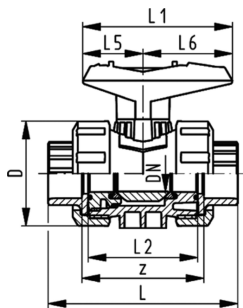
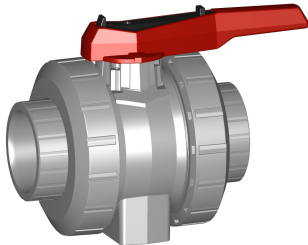


DN10/15 - 50



**Ball valve type 546 PVC-C**  
**With mounting inserts**  
**With solvent cement sockets Inch ASTM**  
**Including 2 threaded union ends NPT**

**Model:**

- For easy installation and removal
- Ball seat PTFE
- Integrated stainless steel mounting inserts
- Threaded valve ends are only enclosed for DN10/15-50
- Valve end and union nut are **not compatible** with type 346 (DN10/15-50) and type 370 (DN65-100)

**Option:**

- Individual configuration of the valve
- Multifunctional module with integrated limit switches
- Pneumatic or electric actuators from GF

Size (inch)	DN (mm)	PN (bar)	kv-value ( $\Delta p=1$ bar) (l/min)	EPDM Code	SP	Weight (kg)	FKM Code	SP	Weight (kg)
3/8	10	16	71	163 546 341	1	0.194	163 546 351	1	0.194
1/2	15	16	185	163 546 342	1	0.248	163 546 352	1	0.250
3/4	20	16	350	163 546 343	1	0.358	163 546 353	1	0.267
1	25	16	700	163 546 344	1	0.517	163 546 354	1	0.520
1 1/4	32	16	1000	163 546 345	1	0.652	163 546 355	1	0.810
1 1/2	40	16	1600	163 546 346	1	1.166	163 546 356	1	1.180
2	50	16	3100	163 546 347	1	2.055	163 546 357	1	2.078
2 1/2	65	16	5000	163 546 348	1	5.400	163 546 358	1	5.400
3	80	16	7000	163 546 349	1	5.821	163 546 359	1	6.689
4	100	16	11000	163 546 350	1	12.800	163 546 360	1	12.800

Size (inch)	D (mm)	H (mm)	H1 (mm)	L (mm)	L1 (mm)	L2 (mm)	L4 (mm)	L5 (mm)	L6 (mm)	M	z (mm)
3/8	50	57	27	105	77	56	25	32	45	M6	67
1/2	50	57	27	105	77	56	25	32	45	M6	61
3/4	58	67	30	121	97	65	25	39	58	M6	70
1	68	73	36	133	97	71	25	39	58	M6	76
1 1/4	84	90	44	154	128	85	45	54	74	M8	90
1 1/2	97	97	51	164	128	89	45	54	74	M8	94
2	124	116	64	183	152	101	45	66	87	M8	107
2 1/2	166	149	85	233	270	136	70	64	206	M8	144
3	200	161	105	254	270	141	70	64	206	M8	151
4	238	178	123	301	320	164	120	64	256	M12	174

# Data sheet

valid from: 4/17/23

---



The technical data are not binding. They neither constitute expressly warranted characteristics nor guaranteed properties nor a guaranteed durability. They are subject to modification. Our General Terms of Sale apply.

Georg Fischer Piping Systems Ltd, Postfach, CH-8201 Schaffhausen/Switzerland

Phone +41 -(0)52-631 1111

e-mail: [info.ps@georgfischer.com](mailto:info.ps@georgfischer.com)

Internet: <http://www.gfps.com>