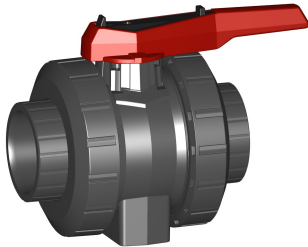


DN10/15 - 50



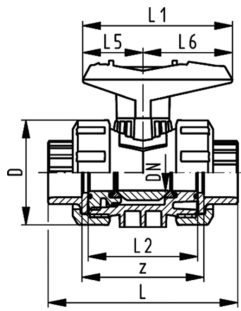
Ball valve type 546 PVC-U
With mounting inserts
With solvent cement sockets Inch ASTM
Inclusive 2 threaded valve ends NPT

Model:

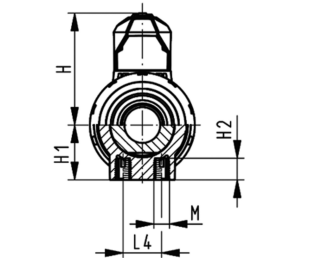
- For easy installation and removal
- Ball seat PTFE
- Integrated stainless steel mounting inserts
- Threaded valve ends are only enclosed and reduce Pressure Rating to PN10 for DN10/15-50
- Valve end and union nut are **not compatible** with type 346 (DN10/15-50) and type 370 (DN65-100)

Option:

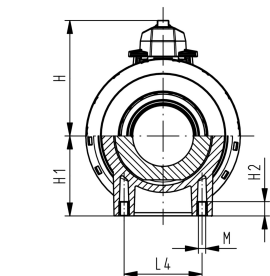
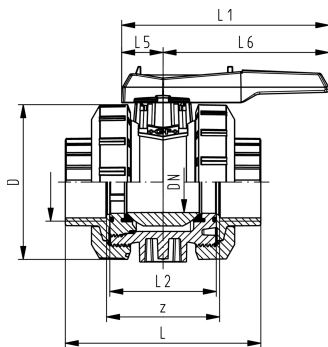
- Individual configuration of the valve
- Multifunctional module with integrated limit switches
- Pneumatic or electric actuators from GF



Size	DN	PN	kv-value	EPDM	SP	Weight	FKM	SP	Weight
(inch)	(mm)	(bar)	($\Delta p=1$ bar)	Code		(kg)	Code		(kg)
			(L/min)						
3/8	10	16	71	161 546 341	1	0.157	161 546 351	1	0.184
1/2	15	16	185	161 546 342	1	0.233	161 546 352	1	0.200
3/4	20	16	350	161 546 343	1	0.245	161 546 353	1	0.342
1	25	16	700	161 546 344	1	0.483	161 546 354	1	0.486
1 1/4	32	16	1000	161 546 345	1	0.796	161 546 355	1	0.740
1 1/2	40	16	1600	161 546 346	1	1.089	161 546 356	1	0.850
2	50	16	3100	161 546 347	1	1.922	161 546 357	1	1.934
2 1/2	65	16	5000	161 546 348	1	4.363	161 546 358	1	4.900
3	80	16	7000	161 546 349	1	5.376	161 546 359	1	7.400
4	100	16	11000	161 546 350	1	9.633	161 546 360	1	9.707



Size	D	H	H1	H2	L	L1	L2	L4	L5	L6	M	z
(inch)	(mm)	(mm)	(mm)	(mm)	(mm)	(mm)	(mm)	(mm)	(mm)	(mm)	(mm)	(mm)
3/8	50	57	27	12	105	77	56	25	32	45	6	67
1/2	50	57	27	12	105	77	56	25	32	45	6	61
3/4	58	67	30	12	121	97	65	25	39	58	6	70
1	68	73	36	12	133	97	71	25	39	58	6	76
1 1/4	84	90	44	15	154	128	85	45	54	74	8	90
1 1/2	97	97	51	15	164	128	89	45	54	74	8	94
2	124	116	64	15	183	152	101	45	66	87	8	107
2 1/2	166	149	85	15	233	270	136	70	64	206	8	144
3	200	161	105	15	254	270	141	70	64	206	8	151
4	238	178	123	22	301	320	164	120	64	256	12	174



Data sheet

valid from: 11/22/22



The technical data are not binding. They neither constitute expressly warranted characteristics nor guaranteed properties nor a guaranteed durability. They are subject to modification. Our General Terms of Sale apply.

Georg Fischer Piping Systems Ltd, Postfach, CH-8201 Schaffhausen/Switzerland

Phone +41 -(0)52-631 1111

e-mail: info.ps@georgfischer.com

Internet: <http://www.gfps.com>