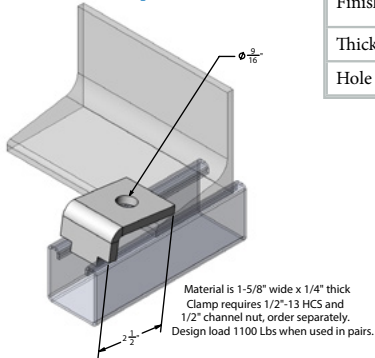


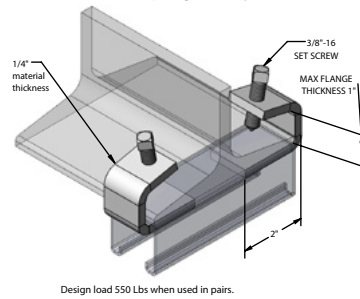
9081BC - 9087BC strut beam clamps

9081BC strut beam clamp, notched



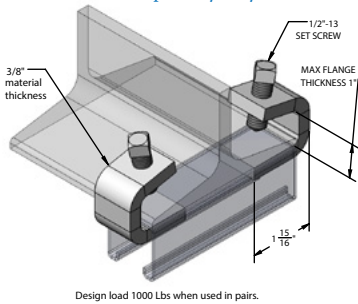
Materials/Finishes:	Zinc Plated (9081BCZ) T-304 Stainless Steel (9081BCSS)
Thickness:	1/4"
Hole Dim:	9/16"

9082BC strut beam clamp, light duty



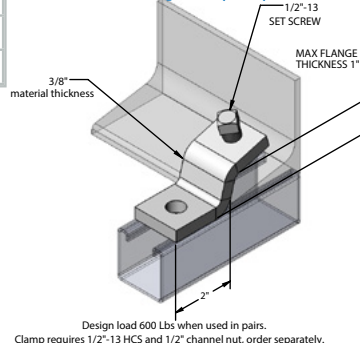
Materials/Finishes:	Zinc Plated (9082BCZ)
Thickness:	1/4"
Hole Dim:	9/16"
Wgt. each (lbs)	.28

9083BC strut beam clamp, heavy duty



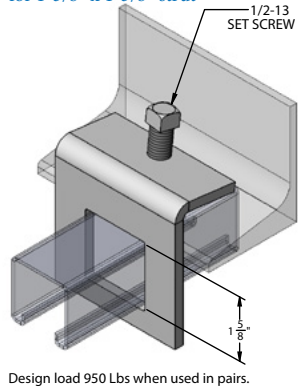
Materials/Finishes:	Zinc Plated (9083BCZ)
Thickness:	3/8"
Hole Dim:	9/16"
Wgt. each (lbs)	.93

9084BC strut "z" beam clamp, heavy duty



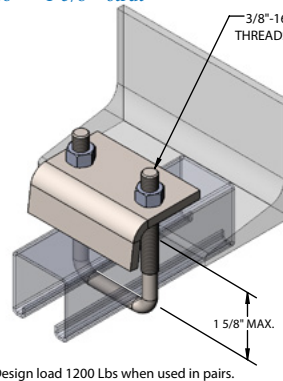
Materials/Finishes:	Zinc Plated (9084BCZ)
Thickness:	1/4"
Hole Dim:	9/16"
Wgt. each (lbs)	.64

9085BC strut beam clamp, window type for 1-5/8" x 1-5/8" strut



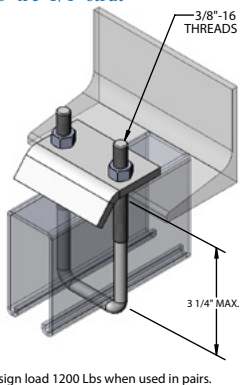
Materials/Finishes:	Zinc Plated (9085BCZ)
Thickness:	1/4"
Hole Dim:	9/16"
Wgt. each (lbs)	1.06

9086BC strut u-bolt beam clamp for 13/16" - 1-5/8" strut



Materials/Finishes:	Zinc Plated (9086BCZ) T-304 Stainless (9086BCSS) T-316 Stainless (9086BCSX)
Thickness:	1/4"
Hole Dim:	9/16"
Wgt. each (lbs)	.64

9087BC strut u-bolt beam clamp for 2-7/16" x 3-1/4" strut



Materials/Finishes:	Zinc Plated (9087BCZ) T-304 Stainless (9087BCSS) T-316 Stainless (9087BCSX)
Thickness:	1/4"
Hole Dim:	9/16"
Wgt. each (lbs)	.93

PROJECT INFORMATION			APPROVAL STAMP	
Project:			Notes:	
Address:				
Contractor:				
Engineer:				
Date:				
Approved	Approved as Noted	Not Approved		