

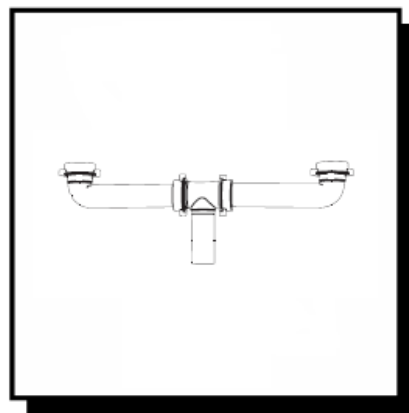
**PLASTIC TUBULAR  
 CENTER OUTLET WASTE WITH BAFFLE TEE &  
 SLIP JOINT CONNECTION**

**Engineering Specification:** Dearborn Brass Plastic Tubular Center Outlet Waste with Baffle Tee and Slip Joint Connection are designed for use in tubular drain applications. Available in white or black polypropylene plastic.

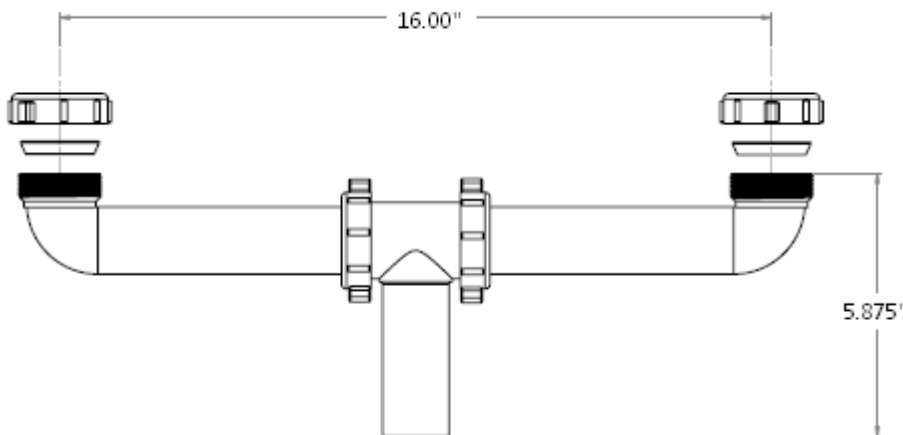
**Job Reference**

**DESCRIPTION**

- Made of polypropylene plastic
- Plastic Tubular Center Outlet Waste
  - (2) Waste Arms
  - Tailpiece Tee
  - (4) Slip Joint Nuts
  - (4) Washers



- Meets ASTM F 409
- IAPMO Listed



✓	Product No.	Description	Carton Quantity	Carton Weight (lbs)
	P9114A	1-½" x 16" Center to Center, Slip Joint with Baffle Tee – White	25	14.2
	A9114A	1-½" x 16" Center to Center, Slip Joint with Baffle Tee – Black	25	13.8
	P9114AB	1-½" x 16" Center to Center, Slip Joint with Baffle Tee – White – Bagged	25	11.5

Data is subject to manufacturing tolerances.