



Submittal Data Sheet

ENVi Thermostat
DACA-TS1-1

Project Name: _____

Location: _____

Engineer: _____

Submitted to: _____

Submitted by: _____

Reference: _____

Approval: _____

Date: _____

Construction: _____

Unit #: _____

Drawing #: _____

For use with Daikin ductless indoor units – FTKN*, FTXN*, FTK*, FTX*, FDXS, FTXS, CDXS, CTXS, FVXS, FTXG

For use with Daikin SkyAir indoor unit models: FTXS

*FTK, FTX, FTXN and FTKN units require interface adapter (09/12 NMVJU class requires KRP067A41, 09/12 KEVJU class requires KRP980B1, and 18/24 NMVJU class requires KRP980B2).

** The dehumidification function of FTXG does not work with the usage of ENVi.

Model Number	DACA-TS1-1
Description	ENVi Thermostat
Control Quantity	1 indoor unit
Wiring for Power/Communication (requires field supplied 4 core wire)	18 AWG: 1250 ft. / 380 m 20 AWG: 800 ft. / 240 m 22 AWG: 500 ft. / 150 m
Power Supply	24VAC (supplied by *DPCA)
Cool Setpoint Range	65 to 95°F (18.5 to 35°C)
Heat Setpoint Range	45 to 80°F (7 to 26.5°C)
Operating Temp Range	32 to 130°F (0 to 55°C)
Humidity Display Range	20 - 90% RH
Operating Humidity Range	5 – 95% RH (no condensation)
Aux Heater Relay Electrical Rating	30VAC, Max Current 3A
Dimensions (WxHxD)	5.5 x 3.25 x 1 inches (139.5 x 82.5 x 25 mm)
Weight (Mass)	1.8 lb. (0.8 kg)



DACA-TS1-1

The Daikin ENVi Thermostat features:

- Wall mount controller
- Backlit
- Single setpoints in Cool or Heat modes
- Dual setpoints in Auto mode
- Fan On/Auto (Fan Auto, Fan stops when room temp is satisfied)
 - Min Fan On Time can be configured for better air circulation
- Senses and displays indoor temperature / humidity
- Display outdoor temperature and humidity
- Utility CPP (Critical Peak Pricing) setting available
- Supports a single-stage auxiliary heater
 - One relay implemented for an auxiliary heater
- Weekly Setback Schedule
 - Hold, Vacation, Optimum Start (Smart Recovery)
- Wi-Fi for web (PC) / mobile phone / tablet access
 - User Web Portal
 - Apple, Android, and Blackberry apps available
 - Contractor Web Portal for customer support
 - Displays weather forecast
- Email Alarm and reminder
 - Upper and lower limit temp and humidity alerts
 - Equipment maintenance reminder
- Daikin Error code and plain text (same text as Dr. Daikin mobile access) are displayed and emailed.

*DPCA	
Description	Daikin Power Communication Adapter (DPCA)
Maximum Connections	1 ENVi Thermostat
Power Supply	208/230V (connected to power terminal of Indoor Unit)
Power Cable Length	5 ft. 4 in.
Operating Temp Range	20 to 140 °F (-7 to 60 °C)
Operating Humidity Range	5 to 95% RH (no condensation)
Dimensions (WxHxD)	4.7 x 2.0 x 1.3 inches (120 x 50 x 32.5 mm)

Daikin North America LLC, 5151 San Felipe Suite 500, Houston, TX 77056

Daikin North America LLC Controls Engineering Generated Submittal Data

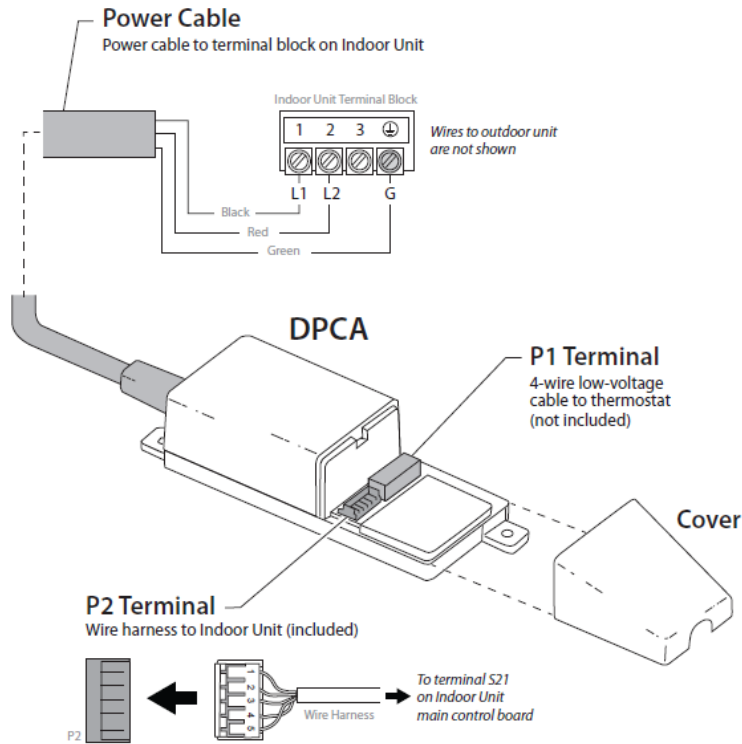
www.daikinac.com

(Daikin's products are subject to continuous improvements. Daikin reserves the right to modify product design, specifications and information in this data sheet without notice and without incurring any obligations)

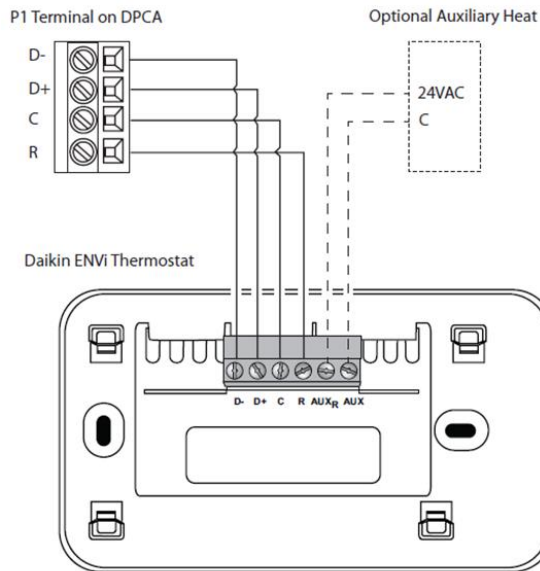
Project Name: _____
 Location: _____
 Engineer: _____
 Submitted to: _____
 Submitted by: _____
 Reference: _____

Approval: _____
 Date: _____
 Construction: _____
 Unit #: _____
 Drawing #: _____

Wiring Diagram



D-, D+: 2 wire for RS485 serial communication (polarity sensitive)
C, R: 2 wire for power supply (24VAC)



Daikin North America LLC, 5151 San Felipe Suite 500, Houston, TX 77056