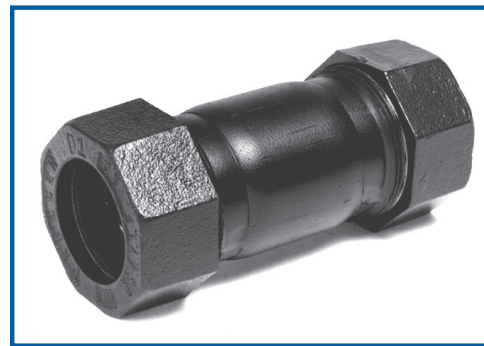
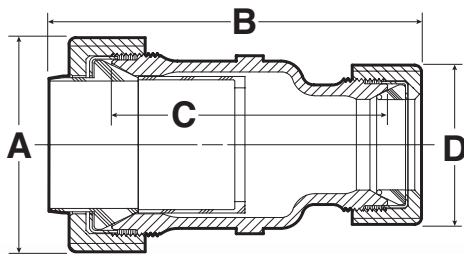


Style 90 SEAL-ONLY Gas Service Fittings

For Natural Gas Transmission & Distribution Piping Systems

**Seal-Only Boltless Compression Products for Joining
Steel Pipe to Steel Pipe**



**NOTE: THIS PRODUCT
PROVIDES A PRESSURE**

SEAL ONLY!



Style 90 Gas Service Fittings

For Joining Steel Pipe to Steel Pipe (Seal-Only Connections)



Over the years, millions of Dresser Style 90 Compression Fittings have been installed on natural gas service lines where they have helped to speed installation and cut costs.

Style 90 couplings and fittings consist of a cast iron or forged steel body; two resilient, specially compounded gaskets; two steel, self-centering protective gasket retainer cups, and two heavy end nuts. All fittings are shipped assembled and ready-to-use. 150 PSI MAOP

Gasket Retainer Cup

- Cup-shaped design protects gasket.
- Prevents friction between the gasket and end nut, resulting in consistent high performance.
- Eliminates gasket interference in end nut threads, providing an accurate sense of tightness.
- Closely confines the gasket, permitting more clearance between the end nut and pipe, and greater pipe deflection.

Body

- Machined, wedge-shaped flare provides a perfect gasket seat and uniform pack at all points.
- Thickness always at least equal to that of pipe (on couplings, ells & tees).
- Longitudinal pipe movement up to 1/16" per gasket may be safely absorbed.
- Made of rugged iron or steel.

Gasket

- An ample, wedge-shaped section gives reserve packing power and high gasket pressure.
- Scientifically compounded rubber is made to last the life of the pipe.
- Interchangeable with most of the corresponding sizes of gaskets used in Style 38 bolted couplings.

End Nut

- High-grade iron, perfectly formed and rigidly inspected.
- Long threading affords reserve "take-up" on gasket when needed and prevents stripping.
- Clearance between pipe and nut permits more deflection of pipe (Possible because the gasket retainer cup also confines gasket).
- Robust thread design resists stripping. (Test torques of 600 ft. lbs. reveal no stripping.)
- Coarse, rugged threads make for easy starting.

NOTE: DRESSER Utility Solutions reserves the right to make changes in specifications and features shown herein, or discontinue the product described at any time without notice or obligation.

Style 90 Insulating Couplings with Full-sleeve Insulators

With the Style 90 insulating coupling, a full length body insulator, together with the insulating gasket, effectively isolates the insulating end of the coupling from the pipe. The body insulator also facilitates installation of the coupling and aids correct reassembly if the coupling is disassembled. A high resistance, gas-tight insulating joint is provided, even with pipe-end deflection of up to 3 degrees.

Also, the sliding pipe-end spacer assures proper separation of pipe ends within the coupling for effective insulation. The full-sleeve insulator working in combination with the pipe-end spacer makes proper installation of the Style 90 insulating coupling virtually foolproof.

Style 90 Tap-N-Valve® Tees

Dresser “Tap-N-Valve” service fittings are equipped with tools which retain the slug cut from the main. During the tapping process, a gradual inward deformation of the abrading edges of the tool forms a positive, mechanical interlock between the tool and the slug, holding it permanently.

The tapered design of the tool forms a raised conical valve seat on the surface of the main, providing a honed metal-to-metal seal for positive shut-off at any time.

All weld inlet tees are supplied with weld splatter caps as standard.

Style 90 Meter Bend Adapters

Here is a flexible meter bend which permits shop prefabrication of meter settings, and protects meter and service from many of the hazards of trenching, grading and landscaping at a later date.

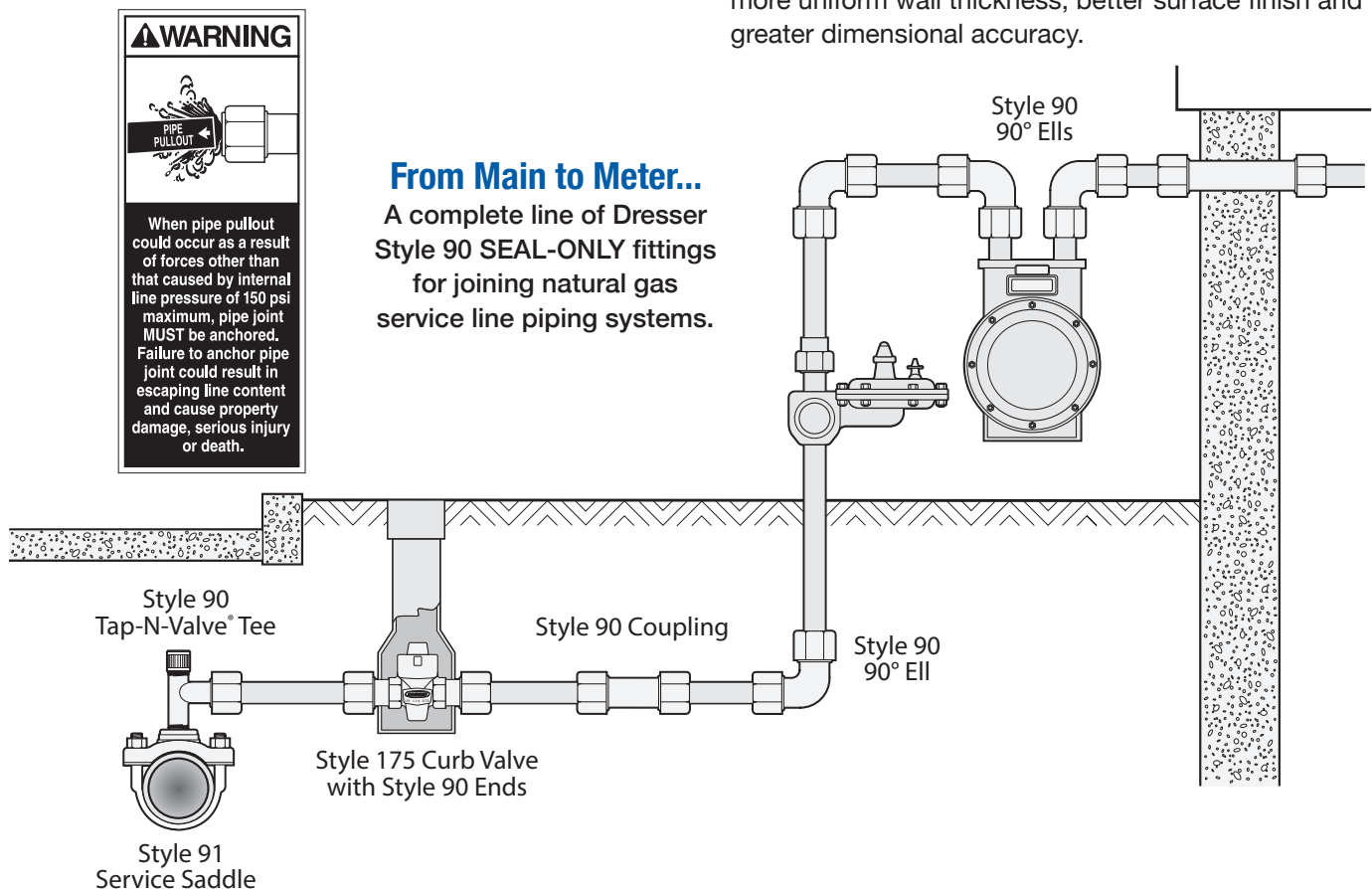
The factory-formed bend holds the regulator level. The union type connection afforded by the Style 90 end permits raising or lowering of the riser pipe to provide needed adjustment and to minimize possible stresses and strains on the meter and regulator. The meter bend adapter can be equipped with either plain, ARMORED® or insulating gaskets.

Style 90 Riser Tee

Style 90 riser tees provide a flexible and convenient, low cost method of running low-pressure services at normal depths off deeply buried mains, thus saving on excavation costs. If desired, the tap can be completed through the tee, and the service can be shut off with a stopper device.

Style 90 Brass Insulating Street Tees

Style 90 brass insulating street tees are recommended for use in place of malleable street tees on cast iron mains where excessive corrosion is a problem. This street tee is cathodic to cast iron pipe and is insulated from the steel service line. These tees are manufactured to meet ASA standards for brass fittings by a special method which assures more uniform wall thickness, better surface finish and greater dimensional accuracy.



Style 90 Couplings & Fittings

For Steel to Steel SEAL-ONLY Natural Gas Piping Connections

Nominal Size (IPS) (in.)	Outside Diameter (OD) (in.)	E-Coat Part Number	Overall Dimensions					Dimension Drawings
			A	B	C	D	E	
CAST COUPLING WITH 5" MIDDLE RING - SEAL ONLY								
1/2	.840	0090-0014-082	2	5 7/8	5	--	--	
3/4	1.050	0090-0001-082	2 7/32	5 7/8	5	--	--	
1	1.315	0090-0002-082	2 9/16	5 7/8	5	--	--	
1 1/4	1.660	0090-0003-082	3	5 7/8	5	--	--	
1 1/2	1.900	0090-0004-082	3 3/8	5 5/16	5	--	--	
2	2.375	0090-0005-082	4	6 1/8	5	--	--	
STEEL COUPLING WITH 5" MIDDLE RING - SEAL ONLY								
3/4	1.050	0090-2101-082	2 7/32	5 7/8	5	--	--	
1	1.315	0090-2102-082	2 9/16	5 7/8	5	--	--	
1 1/4	1.660	0090-2103-082	3	5 7/8	5	--	--	
1 1/2	1.900	0090-2104-082	3 3/8	5 5/16	5	--	--	
2	2.375	0090-2105-082	4	6 1/8	5	--	--	
STEEL COUPLING WITH 10" MIDDLE RING - SEAL ONLY								
3/4	1.050	0090-0090-082	2 7/32	10 7/8	10	--	--	
1	1.315	0090-0091-082	2 9/16	10 7/8	10	--	--	
1 1/4	1.660	0090-0092-082	3	10 7/8	10	--	--	
1 1/2	1.900	0090-0093-082	3 3/8	10 7/8	10	--	--	
2	2.375	0090-0094-082	4	11 1/8	10	--	--	
REDUCING COUPLING - SEAL ONLY								
3/4 x 1/2	1.050 x .840	0090-0590-082	2 7/32	5 7/8	5	2	--	
1 x 3/4	1.315 x 1.050	0090-0580-082	2 9/16	5 7/8	5	2 7/32	--	
1 1/4 x 3/4	1.660 x 1.050	0090-0581-082	3	5 7/8	5	2 7/32	--	
1 1/4 x 1	1.660 x 1.315	0090-0582-082	3	5 7/8	5	2 9/16	--	
1 1/2 x 3/4	1.900 x 1.050	0090-0583-082	3 3/8	5 7/8	5	2 7/32	--	
1 1/2 x 1	1.900 x 1.315	0090-0584-082	3 3/8	5 7/8	5	--	--	
1 1/2 x 1 1/4	1.900 x 1.660	0090-0585-082	3 3/8	5 7/8	5	3	--	
2 x 3/4	2.375 x 1.050	0090-0586-082	4	6	5	2 7/32	--	
2 x 1	2.375 x 1.315	0090-0587-082	4	6	5	--	--	
2 x 1 1/4	2.375 x 1.660	0090-0588-082	4	6	5	3	--	
2 x 1 1/2	2.375 x 1.900	0090-0591-082	4	6	5	3 3/8	--	
45° ELL - SEAL ONLY								
--								
1 1/4	1.660	0090-0213-082	3	2 11/16	1 7/8	3/8	--	
2	2.375	0090-0215-082	4	3 3/8	2 1/4	9/16	--	

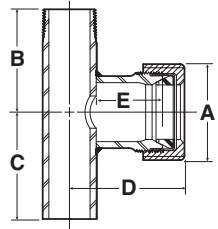
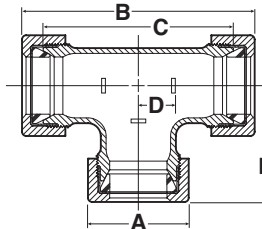
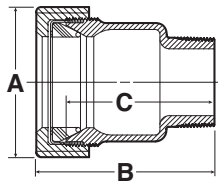
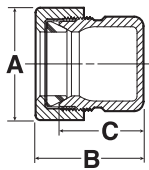
Style 90 Couplings & Fittings

For Steel to Steel SEAL-ONLY Natural Gas Piping Connections

Nominal Size (IPS) (in.)	Outside Diameter (OD) (in.)	E-Coat Part Number	Overall Dimensions					Dimension Drawings
			A	B	C	D	E	
90° ELL - SEAL ONLY								
3/4	1.050	0090-0241-082	27/32	31/8	2	11/16	--	
1	1.315	0090-0242-082	29/16	33/16	2	3/4	--	
1 1/4	1.660	0090-0243-082	3	3 1/4	1 7/8	15/16	--	
1 1/2	1.900	0090-0244-082	3 3/8	3 19/32	2	1 1/8	--	
2	2.375	0090-0245-082	4	4 3/16	2 1/4	1 3/8	--	
PLAIN END 90° STREET ELL - SEAL ONLY								
3/4	1.050	0090-0270-082	27/32	3 9/16	3	2	9/16	
1	1.315	0090-0271-082	29/16	3 3/8	2 13/16	1 5/8	3/4	
1 1/4	1.660	0090-0272-082	3	4	3 3/16	1 7/8	7/8	
1 1/2	1.900	0090-0273-082	3 3/8	4 5/16	3 15/32	2	1	
2	2.375	0090-0274-082	4	5 1/8	4 1/16	2 1/4	1 1/4	
THREADED END 90° ELL - SEAL ONLY								
1 1/4	1.660	0090-0332-082	3	2 7/8	3 3/16	1 7/8	7/8	
- 2	2.375	0090-0334-082	4	3 1/2	4 1/16	2 1/4	1 1/4	
STREET TEE - SEAL ONLY								
1	1.315	0090-0391-082	2 9/16	1 5/8	2 3/4	2 13/16	1 5/8	
1 1/4	1.660	0090-0392-082	3	1 13/16	2 7/8	3 3/16	1 7/8	
- 2	2.375	0090-0394-082	4	2 5/16	3 5/16	4 1/16	2 1/4	
REDUCING STREET TEE --SEAL ONLY								
1 1/4 x 1 1/4 x 1	1.660 x 1.660 x 1.315	0090-0451-082	2 9/16	1 3/4	2 3/4	2 15/16	1 5/8	
1 1/4 x 1 x 1 1/4	1.660 x 1.315 x 1.660	0090-0452-082	3	1 13/16	2 7/8	3 3/16	1 7/8	
-								
1 1/2 x 1 1/2 x 1 1/4	1.900 x 1.900 x 1.660	0090-0454-082	3	2	2 7/8	3 5/16	1 7/8	
1 1/2 x 1 x 1 1/2	1.900 x 1.315 x 1.900	0090-0455-082	3 3/8	2	3 1/16	3 15/32	2	
-								
2 x 1 1/4 x 2	2.375 x 1.660 x 2.375	0090-0458-082	4	2 5/16	3 3/8	4 1/16	2 1/4	
2 x 1 1/2 x 2	2.375 x 1.900 x 2.375	0090-0459-082	4	2 5/16	3 5/16	4 1/16	2 1/4	

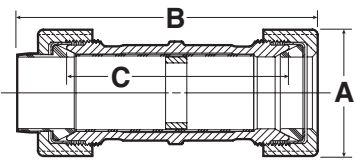
Style 90 Couplings & Fittings

For Steel to Steel SEAL-ONLY Natural Gas Piping Connections

Nominal Size (IPS) (in.)	Outside Diameter (OD) (in.)	E-Coat Part Number	Overall Dimensions					Dimension Drawings
			A	B	C	D	E	
WELDING STREET TEE - SEAL ONLY								
1 1/2	1.900	0090-0553-082	3 3/8	2 29/32	3 15/32	3 15/16	2 1/2	
REGULAR TEE - SEAL ONLY								
3/4 x 3/4 x 3/4	1.050 x 1.050 x 1.050	0090-0710-082	2 7/32	6 1/4	5 3/8	1 1/16	3 1/8	
1 x 1 x 1	1.315 x 1.315 x 1.315	0090-0711-082	2 9/16	5 7/8	5	1 1/16	3 7/16	
1 1/4 x 1 1/4 x 1 1/4	1.660 x 1.660 x 1.660	0090-0712-082	3	6 13/32	5 17/32	1 5/16	3 1/4	
2 x 2 x 2	2.375 x 2.375 x 2.375	0090-0716-082	4	8 1/8	7 1/4	1 3/8	4 3/16	
MALE ADAPTER - SEAL ONLY								
1 x 1 MIPS	1.315	0090-0741-082	2 9/16	4 1/4	3 13/16	--	--	
1 1/4 x 1 1/4 MIPS	1.660	0090-0757-082	3	4 7/16	3 7/8	--	--	
1 1/2 x 1 1/2 MIPS	1.900	0090-0743-082	3 3/8	4 9/16	3 7/8	--	--	
2 x 2 MIPS	2.375	0090-0744-082	4	4 11/16	4	--	--	
LINE CAP - SEAL ONLY								
3/4	1.050	0090-0860-082	2 7/32	3 1/8	2 11/16	--	--	
1	1.315	0090-0861-082	2 9/16	3 1/8	2 11/16	--	--	
1 1/4	1.660	0090-0862-082	3	3 1/8	2 11/16	--	--	
1 1/2	1.900	0090-0863-082	3 3/8	3 5/8	2 11/16	--	--	
2	2.375	0090-0864-082	4	3 1/4	2 11/16	--	--	

Style 90 Insulating Fittings

For Steel to Steel SEAL-ONLY Natural Gas Piping Connections

Nominal Size (IPS) (in.)	Outside Diameter (OD) (in.)	E-Coat Part Number	Overall Dimensions					Dimension Drawings
			A	B	C	D	E	
CAST INSULATING COUPLINGS - 5" MIDDLE RING - SEAL ONLY								
3/4	1.050	0090-1677-192	2 7/32	6 3/8	5	--	--	
1	1.315	0090-1678-192	2 9/16	6 3/8	5	--	--	
1 1/4	1.660	0090-1679-192	3	6 3/8	5	--	--	
1 1/2	1.900	0090-1680-192	3 3/8	5 13/8	5	--	--	
2	2.375	0090-1681-192	4	6 5/8	5	--	--	

Style 90 Insulating Fittings

For Steel to Steel SEAL-ONLY Natural Gas Piping Connections

Nominal Size (IPS) (in.)	Outside Diameter (OD) (in.)	E-Coat Part Number	Overall Dimensions					Dimension Drawings
			A	B	C	D	E	
STEEL INSULATING COUPLING - 5" MIDDLE RING - SEAL ONLY								
1	1.315	0090-2128-192	2 ⁹ / ₁₆	6 ³ / ₈	5	--	--	
2	2.375	0090-2131-192	4	6 ⁵ / ₈	5	--	-	
STEEL INSULATING COUPLING - 10" MIDDLE RING - SEAL ONLY								
2	2.375	0090-0124-091	4	11 ⁵ / ₈	10	--	--	
MALE INSULOK ADAPTER - SEAL ONLY								
3/4	1.050	0090-0800-039	2 ⁷ / ₃₂	3 ⁷ / ₁₆	2 ³ / ₄	--	--	
1	1.315	0090-0801-039	2 ⁹ / ₁₆	3 ⁵ / ₁₆	2 ⁵ / ₈	--	--	
1 1/4	1.660	0090-0802-039	3	3 ⁹ / ₁₆	2 ⁷ / ₈	--	--	
FEMALE INSULOK ADAPTER - SEAL ONLY								
3/4	1.050	0090-0833-039	2 ⁷ / ₃₂	2 ⁹ / ₁₆	1 ⁷ / ₈	--	--	
1	1.315	0090-0831-039	2 ⁹ / ₁₆	2 ¹³ / ₁₆	2 ¹ / ₈	--	--	
INSULATING REDUCING STREET TEE - SEAL ONLY								
1 1/4 x 1 1/4 x 1	1.660 x 1.660 x 1.315	0090-0500-033	2 ⁹ / ₁₆	1 ³ / ₄	2 ³ / ₄	3 ⁷ / ₁₆	1 ⁵ / ₈	
1 1/4 x 1 x 1 1/4	1.660 x 1.315 x 1.660	0090-0501-033	3	1 ¹³ / ₁₆	2 ⁷ / ₈	3 ¹¹ / ₁₆	1 ⁷ / ₈	
1 1/2 x 1 1/2 x 1 1/4	1.900 x 1.900 x 1.660	0090-0506-033	3	2	2 ⁷ / ₈	3 ¹¹ / ₁₆	1 ⁷ / ₈	
2 x 1 1/4 x 2	2.375 x 1.660 x 2.375	0090-0504-033	4	2 ⁵ / ₁₆	3 ³ / ₈	4 ⁹ / ₁₆	2 ¹ / ₄	
2 x 1 1/2 x 2	2.375 x 1.900 x 2.375	0090-0505-033	4	2 ⁵ / ₁₆	3 ⁵ / ₁₆	4 ⁹ / ₁₆	2 ¹ / ₄	
INSULATING REDUCING COUPLINGS - LARGER END INSULATED - SEAL ONLY								
3/4 x 1/2	1.050 x .840	0090-0638-084	2 ⁷ / ₃₂	6 ³ / ₈	5	2	--	
1 x 3/4	1.315 x 1.050	0090-0630-084	2 ⁹ / ₁₆	6 ³ / ₈	5	2 ⁷ / ₃₂	--	
1 1/4 x 3/4	1.660 x 1.050	0090-0631-084	3	6 ³ / ₈	5	2 ⁷ / ₃₂	--	
1 1/4 x 1	1.660 x 1.315	0090-0632-084	3	6 ³ / ₈	5	2 ⁹ / ₁₆	--	
1 1/2 x 1	1.900 x 1.315	0090-0633-084	3 ³ / ₈	6 ³ / ₈	5	2 ⁹ / ₁₆	--	
1 1/2 x 1 1/4	1.900 x 1.660	0090-0634-084	3 ³ / ₈	6 ³ / ₈	5	3	--	
2 x 1 1/4	2.375 x 1.660	0090-0637-084	4	6 ¹ / ₂	5	3	--	
2 x 1 1/2	2.375 x 1.900	0090-0636-084	4	6 ¹ / ₂	5	3 ³ / ₈	--	

Style 90 Insulating Fittings

For Steel to Steel SEAL-ONLY Natural Gas Piping Connections

Nominal Size (IPS) (in.)	Outside Diameter (OD) (in.)	E-Coat Part Number	Overall Dimensions					Dimension Drawings
			A	B	C	D	E	
INSULATING 90° ELL - SEAL ONLY								
3/4	1.050	0090-1451-084	27/32	35/8	2	11/16	--	
1	1.315	0090-1452-084	29/32	311/16	2	3/4	--	
1 1/4	1.660	0090-1453-084	3	33/4	17/8	15/16	--	
1 1/2	1.900	0090-1454-084	33/8	41/8	2	11/8	--	
2	2.375	0090-1455-084	4	411/16	21/4	13/8	--	
INSULATING 90° PLAIN END STREET ELL - SEAL ONLY								
3/4	1.050	0090-0300-033	27/32	39/16	3 1/2	2	9/16	
1	1.315	0090-0301-033	29/32	33/8	35/16	15/8	3/4	
1 1/4	1.660	0090-0302-033	3	4	311/16	17/8	7/8	
1 1/2	1.900	0090-0303-033	33/8	45/16	4	2	1	
2	2.375	0090-0304-033	4	51/8	49/16	2 1/4	1 1/4	
INSULATING STREET TEE - SEAL ONLY								
3/4	1.050	0090-0420-033	27/32	15/16	2 1/16	3 1/2	2	
1	1.315	0090-0421-033	29/32	15/8	23/4	35/16	15/8	
1 1/4	1.660	0090-0422-033	3	113/16	27/8	311/16	17/8	
1 1/2	1.900	0090-0423-033	33/8	2	31/16	4	2	
2	2.375	0090-0424-033	4	25/16	35/16	49/16	2 1/4	
INSULATING 90° THREADED END STREET ELL - SEAL ONLY								
3/4	1.050	0090-0360-033	27/32	2	3 1/2	2	9/16	
1	1.315	0090-0361-033	29/32	25/16	35/16	15/8	3/4	
1 1/4	1.660	0090-0362-033	3	27/8	311/16	17/8	7/8	
1 1/2	1.900	0090-0364-033	33/8	27/8	4	2	1	
2	2.375	0090-0365-033	4	31/2	49/16	2 1/4	1 1/4	

Style 90 Plastisol-Coated Fittings

For Steel to Steel SEAL-ONLY Natural Gas Piping Connections

Nominal Size (IPS) (in.)	Outside Dia. (OD) (in.)	Conductive Part Number	Insulating Part Number	Overall Dimensions					Dimension Drawings
				A	B	C	D	E	
PLASTISOL COATED CAST COUPLING - 5" MIDDLE RING - SEAL ONLY									
1/2	.840	0090-0014-205	--	2 1/8	6 7/8	5	--	--	
3/4	1.050	0090-0001-205	0090-1677-212	2 11/32	6 7/8	5	--	--	
1	1.315	0090-0002-205	0090-1678-212	2 11/16	6 7/8	5	--	--	
1 1/4	1.660	0090-0003-205	0090-1679-212	3 1/8	6 7/8	5	--	--	
1 1/2	1.900	0090-0004-205	0090-1680-212	3 1/2	6 5/16	5	--	--	
2	2.375	0090-0005-205	0090-1681-212	4 1/8	7 1/8	5	--	--	
PLASTISOL COATED STEEL COUPLING - 5" MIDDLE RING - SEAL ONLY									
3/4	1.050	0090-2101-205	--	2 11/32	6 7/8	5	--	--	
1	1.315	0090-2102-205	0090-2128-212	2 11/16	6 7/8	5	--	--	
1 1/4	1.660	0090-2103-205	--	3 1/8	6 7/8	5	--	--	
1 1/2	1.900	0090-2104-205	--	3 1/2	6 5/16	5	--	--	
2	2.375	0090-2105-205	--	4 1/8	7 1/8	5	--	--	
PLASTISOL COATED STEEL COUPLING - 10" MIDDLE RING -- SEAL ONLY									
3/4	1.050	0090-0090-205	--	2 11/32	11 7/8	10	--	--	
1	1.315	0090-0091-205	--	2 11/16	11 7/8	10	--	--	
1 1/4	1.660	0090-0092-205	--	3 1/8	11 7/8	10	--	--	
1 1/2	1.900	0090-0093-205	--	3 1/2	11 7/8	10	--	--	
2	2.375	0090-0094-205	0090-0124-213	4 1/8	12 1/8	10	--	--	
PLASTISOL COATED REDUCING COUPLING - SEAL ONLY									
1 x 3/4	1.315 x 1.050	0090-0580-205	--	2 11/16	6 7/8	5	2 11/32	--	
1 1/4 x 3/4	1.660 x 1.050	0090-0581-205	--	3 1/8	6 7/8	5	2 11/32	--	
1 1/4 x 1	1.660 x 1.315	0090-0603-205	--	3 1/8	6 7/8	5	2 11/16	--	
1 1/2 x 1	1.900 x 1.315	0090-0604-205	--	3 1/2	6 7/8	5	2 11/16	--	
1 1/2 x 1 1/4	1.900 x 1.660	0090-0605-205	--	3 1/2	6 7/8	5	3 1/8	--	
2 x 1 1/4	2.375 x 1.660	0090-0588-205	--	4 1/8	7	5	3 1/8	--	
2 x 1 1/2	2.375 x 1.900	0090-0606-205	--	4 1/8	7	5	3 1/2	--	
PLASTISOL COATED 90° ELL - SEAL ONLY									
3/4	1.050	0090-0241-205	--	2 11/32	3 5/8	2	1 1/16	--	
1	1.315	0090-0242-205	--	2 11/16	3 11/16	2	3/4	--	
1 1/4	1.660	0090-0243-205	--	3 1/8	3 3/4	1 7/8	1 5/16	--	
1 1/2	1.900	0090-0244-205	--	3 1/2	4 3/32	2	1 1/8	--	
2	2.375	0090-0245-205	0090-1455-207	4 1/8	4 11/16	2 1/4	1 3/8	--	
PLASTISOL COATED STREET TEE - SEAL ONLY									
3/4	1.050	0090-0390-205	--	2 11/32	1 15/16	2 1/16	3 1/2	2	
1	1.315	0090-0391-205	--	2 11/16	1 5/8	2 3/4	3 5/16	1 5/8	
1 1/4	1.660	0090-0392-205	--	3 1/8	1 13/16	2 7/8	3 11/16	1 7/8	
1 1/2	1.900	0090-0393-205	--	3 1/2	2	3 1/16	3 31/32	2	
2	2.375	0090-0394-205	0090-0424-208	4 1/8	2 5/16	3 5/16	4 9/16	2 1/4	

Style 90 Plastisol-Coated Fittings

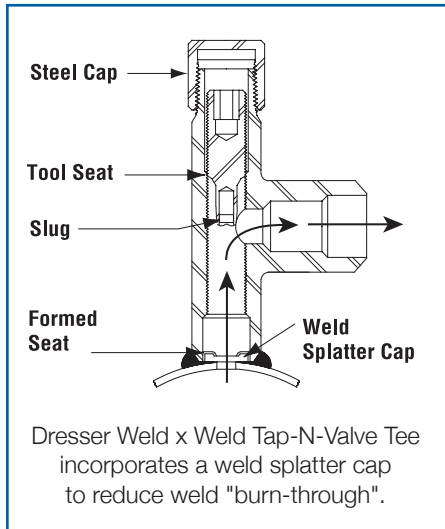
For Steel to Steel SEAL-ONLY Natural Gas Piping Connections

Nominal Size (IPS) (in.)	Outside Dia. (OD) (in.)	Conductive Part Number	Insulating Part Number	Overall Dimensions					Dimension Drawings
				A	B	C	D	E	
PLASTISOL COATED PLAIN END 90° STREET ELL - SEAL ONLY									
3/4	1.050	0090-0270-205	0090-0300-208	2 ^{11/32}	3 ^{9/16}	3 ^{1/2}	2	9/16	
1	1.315	0090-0271-205	0090-0301-208	2 ^{11/16}	3 ^{3/8}	3 ^{5/16}	1 ^{5/8}	3/4	
1 ^{1/4}	1.660	0090-0272-205	0090-0302-208	3 ^{1/8}	4	3 ^{11/16}	1 ^{7/8}	7/8	
1 ^{1/2}	1.900	0090-0273-205	0090-0303-208	3 ^{1/2}	4 ^{5/16}	3 ^{31/32}	2	1	
2	2.375	0090-0274-205	0090-0304-208	4 ^{1/8}	5 ^{1/8}	4 ^{9/16}	2 ^{1/4}	1 ^{1/4}	
PLASTISOL COATED THREADED END 90° STREET ELL - SEAL ONLY									
3/4	1.050	0090-0330-205	0090-0360-208	2 ^{11/32}	2	3 ^{1/2}	2	9/16	
1	1.315	0090-0331-205	0090-0361-208	2 ^{11/16}	2 ^{5/16}	3 ^{5/16}	1 ^{5/8}	3/4	
1 ^{1/4}	1.660	0090-0332-205	0090-0362-208	3 ^{1/8}	2 ^{7/8}	3 ^{11/16}	1 ^{7/8}	7/8	
PLASTISOL COATED LINE CAP - LOCK TYPE									
3/4	1.050	0090-0860-206	--	2 ^{11/32}	3 ^{5/8}	2 ^{11/16}	--	--	
1	1.315	0090-0861-206	--	2 ^{11/16}	3 ^{5/8}	2 ^{11/16}	--	--	
1 ^{1/4}	1.660	0090-0862-206	--	3 ^{1/8}	3 ^{5/8}	2 ^{11/16}	--	--	

Style 90 Tap-N-Valve® Tees

For Joining Service Connection Taps with Steel Pipe - SEAL ONLY

Dresser Style 90 Tap-N-Valve® Tees are available with either weld or MIPS inlets and a wide range of outlets, including plain branch, FIPS, MIPS, butt weld/socket, compression end and insulating compression end configurations. All weld inlet tees are supplied with weld splatter caps as standard.



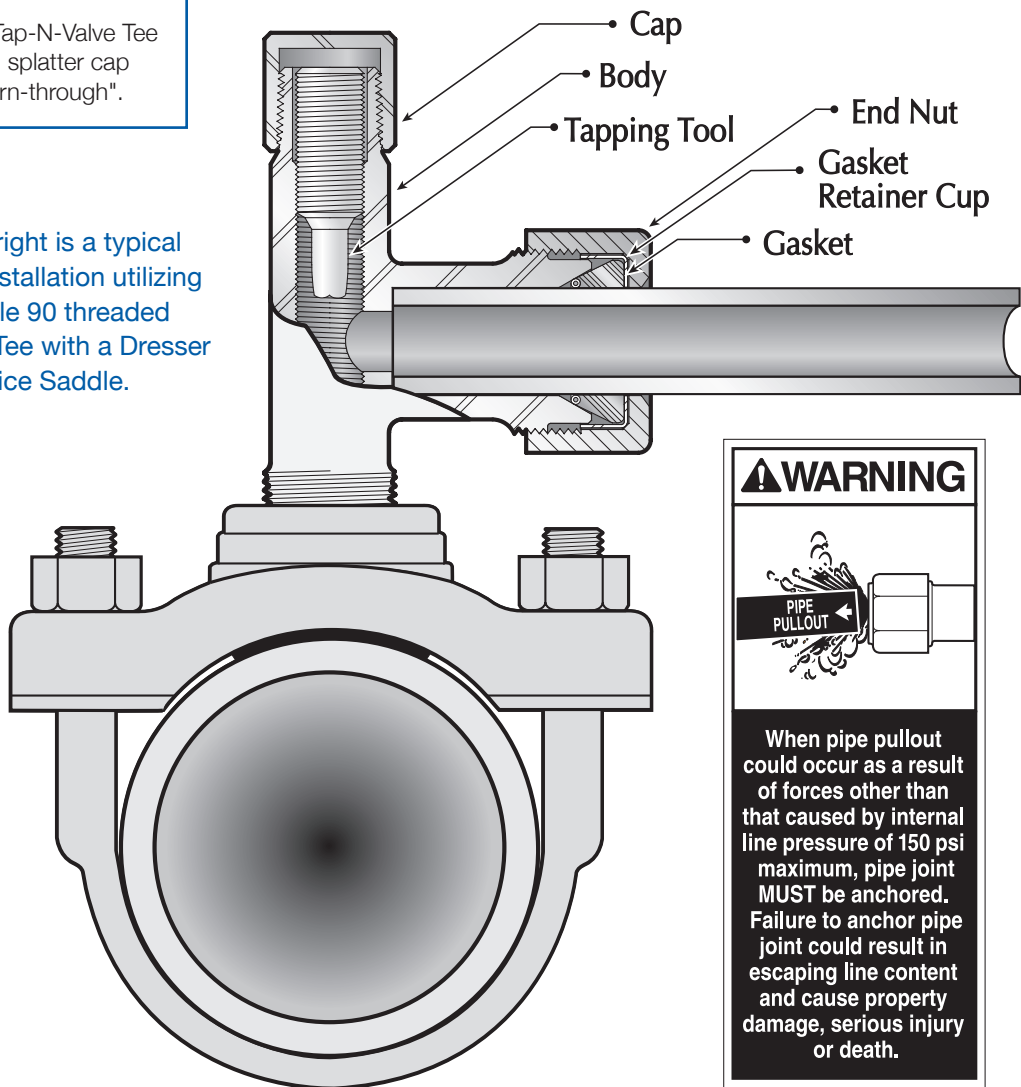
Tapping tool retains the slug...

All Dresser Tap-N-Valve® tees are equipped with cutting tools which retain the slug cut from the main. During the tapping process, a gradual deformation of the abrading edges of the tool forms a positive, mechanical interlock between the tool and the slug, holding it permanently.

Creates a positive shut-off...

The tapered design of the tapping tool forms a raised conical valve seat on the surface of the main, providing a honed metal-to-metal seat for positive shut-off at any time.

Illustrated at right is a typical service tap installation utilizing a Dresser Style 90 threaded Tap-N-Valve Tee with a Dresser Style 91 Service Saddle.



Style 90 Tap-N-Valve® Tees

For Service Connection Taps with Steel Pipe - SEAL ONLY

Nominal Size (Inlet) (IPS) (in.)	Outside Diameter (OD) (in.)	Branch Outlet Size (in.)	Tapping Tool (in.)	Part Number	Overall Dimensions					Dimension Drawing
					A	B	C	D	E	
TAP-N-VALVE TEE - WELD INLET X PLAIN BRANCH OUTLET - SEAL ONLY										
$\frac{3}{4}$ WELD	1.050	$\frac{3}{4}$ PL. BR.	$\frac{3}{8}$	0090-1592-199	$4\frac{13}{16}$	$2\frac{5}{16}$	$2\frac{3}{8}$	--	--	
$\frac{3}{4}$ WELD	1.315	1 PL. BR.	$\frac{3}{8}$	0090-1600-199	$4\frac{13}{16}$	$2\frac{5}{16}$	$2\frac{3}{8}$	--	--	
TAP-N-VALVE TEE - WELD INLET X FIPS OUTLET - SEAL ONLY										
$\frac{3}{4}$ WELD	1.050	$\frac{3}{4}$ FIPS	$\frac{3}{8}$	0090-1593-199	$4\frac{13}{16}$	$2\frac{5}{16}$	$1\frac{7}{8}$	--	--	
TAP-N-VALVE TEE - WELD INLET X MIPS OUTLET - SEAL ONLY										
$\frac{3}{4}$ WELD	1.050	$\frac{3}{4}$ MIPS	$\frac{3}{8}$	0090-1594-199	$4\frac{13}{16}$	$2\frac{5}{16}$	$1\frac{7}{8}$	--	--	
$\frac{3}{4}$ WELD	1.315	1 MIPS	$\frac{3}{8}$	0090-1599-199	$4\frac{13}{16}$	$2\frac{5}{16}$	$1\frac{7}{8}$	--	--	
TAP-N-VALVE TEE - WELD INLET X BUTT WELD/SOCKET OUTLET - SEAL ONLY										
$\frac{3}{4}$ WELD	--	$\frac{3}{4}$ BUTT WELD $\frac{1}{2}$ SOCKET	$\frac{3}{8}$	0090-1595-199	$4\frac{13}{16}$	$2\frac{5}{16}$	$1\frac{7}{8}$	--	--	
$\frac{3}{4}$ WELD	--	1 BUTT WELD $\frac{3}{4}$ SOCKET	$\frac{3}{8}$	0090-1601-199	$4\frac{13}{16}$	$2\frac{5}{16}$	$1\frac{7}{8}$	--	--	

Style 90 Tap-N-Valve® Tees

For Service Connection Taps with Steel Pipe - SEAL ONLY

Nominal Size (Inlet) (IPS) (in.)	Outside Diameter (OD) (in.)	Branch Outlet Size (in.)	Tapping Tool (in.)	Part Number	Overall Dimensions					Dimension Drawing
					A	B	C	D	E	
TAP-N-VALVE TEE WITH WELD INLET, COMPRESSION OUTLET & ARMORED GASKET - SEAL ONLY										
- 3/4 WELD	.840	1/2 ST. 90	3/8	0090-1604-107	5 1/2	2 5/16	3 1/8	2 1/16	--	
3/4 WELD	1.050	3/4 ST. 90	3/8	0090-1590-107	5 1/2	2 5/16	3 1/16	2 7/32	--	
3/4 WELD	1.315	1 ST. 90	3/8	0090-1613-107	5 1/2	2 5/16	2 11/16	2 9/16	--	
TAP-N-VALVE TEE WITH WELD INLET AND INSULATED COMPRESSION OUTLET - SEAL ONLY										
3/4 WELD	1.050	3/4 INS. ST. 90	3/8	0090-1591-106	5 1/2	2 5/16	3 9/16	2 7/32	--	
3/4 WELD	1.315	1 INS. ST. 90	3/8	0090-1614-106	5 1/2	2 5/16	3 3/16	2 9/16	--	
TAP-N-VALVE TEE - MIPS INLET X PLAIN BRANCH OUTLET - SEAL ONLY										
1 MIPS	1.315	1 PL. BR.	3/8	0090-1570-199	4 13/16	2 5/16	2 3/8	--	--	
TAP-N-VALVE TEE - MIPS INLET X FIPS OUTLET - SEAL ONLY										
1 MIPS	1.050	3/4 FIPS	3/8	0090-1571-199	4 13/16	2 5/16	1 7/8	--	--	
1 MIPS	1.315	1 FIPS	3/8	0090-1568-199	5 1/2	2 5/16	2 5/8	--	--	
TAP-N-VALVE TEE - MIPS INLET X MIPS OUTLET - SEAL ONLY										
1 MIPS	1.315	1 MIPS	3/8	0090-1569-199	4 13/16	2 5/16	1 7/8	--	--	

Style 90 Tap-N-Valve® Tees

For Service Connection Taps with Steel Pipe - SEAL ONLY

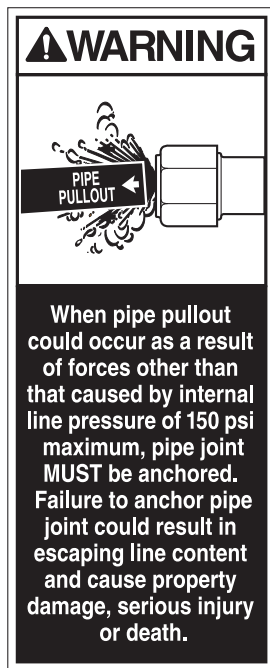
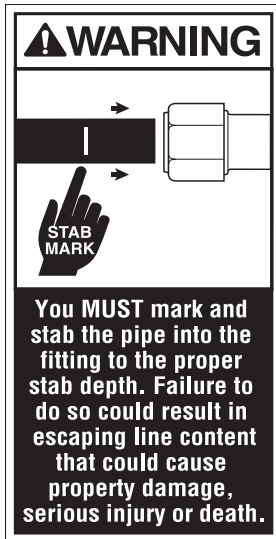
Nominal Size (Inlet) (IPS) (In.)	Outside Diameter (OD) (In.)	Branch Outlet Size (In.)	Tapping Tool (In.)	Part Number	Overall Dimensions					Dimension Drawing
					A	B	C	D	E	
TAP-N-VALVE TEE WITH MIPS INLET, COMPRESSION OUTLET & ARMORED GASKET - SEAL ONLY										
1 MIPS	.540	1/4 ST. 90	3/8	0090-1562-107	5 1/2	2 5/16	3 1/8	1 23/32	--	
1 MIPS	.675	3/8 ST. 90	3/8	0090-1563-107	5 1/2	2 5/16	3 1/8	1 13/16	--	
1 MIPS	.840	1/2 ST. 90	3/8	0090-1564-107	5 1/2	2 5/16	3 1/8	2 1/16	--	
1 MIPS	1.050	3/4 ST. 90	3/8	0090-1560-107	5 1/2	2 5/16	3 1/16	2 7/32	--	
1 MIPS	1.315	1 ST. 90	3/8	0090-1579-107	5 1/2	2 5/16	2 11/16	2 9/16	--	
TAP-N-VALVE TEE WITH MIPS INLET AND INSULATED COMPRESSION OUTLET - SEAL ONLY										
1 MIPS	1.050	3/4 ST. 90	3/8	0090-1561-106	5 1/2	2 5/16	3 9/16	2 7/32	--	
1 MIPS	1.315	1 ST. 90	3/8	0090-1580-106	5 1/2	2 5/16	3 3/16	2 9/16	--	

Style 90 Riser Tee

For raising low-pressure services to normal depths off deeply buried mains - SEAL ONLY

Nominal Size (IPS) (In.)	Outside Diameter (OD) (In.)	E-Coat Part Number	Overall Dimensions						Dimension Drawings
			A	B	C	D	E	F	
STYLE 90 RISER TEE - WITH ARMORED GASKETS - SEAL ONLY									
1 1/2 x 1 1/2 x 1 1/2	1.050	0090-0890-205	3 7/32	4 3/8	3 1/2	2 1/2	4	6 7/16	
2 x 2 x 2	2.375	0090-0891-205	4	4 5/16	3 3/4	2 1/2	4 5/16	7 5/16	

SPECIAL PRODUCT WARNINGS



NOTE:
**ALWAYS READ THE DRESSER INSTALLATION INSTRUCTIONS AND WARNINGS
BEFORE INSTALLING ANY DRESSER PRODUCT!**

Visit us at: www.dresserutility.com

Dresser Pipeline Solutions
41 Fisher Avenue
Bradford, PA 16701
T: 814.362.9300
F: 814.362.9344

© 2022 Natural Gas Solutions North America, LLC – All rights reserved.
Dresser Utility Solutions reserves the right to make changes in specifications and features shown herein,
or discontinue the product described at any time without notice or obligation. Contact your Dresser
Pipeline Solutions representative for the most current information.

The Dresser Logo and all Trademarks containing the term "Dresser" are the property of Dresser, LLC,
a subsidiary of Baker Hughes.

DRESSER
PIPELINE SOLUTIONS
www.dresserutility.com

DPS-009
GAS.SERVICE.FTGS.2022