

130525 QC3 Filter and Dryer Unit

DESCRIPTION

This is a point of use unit designed to remove water, dirt, oil and humidity.

SPECIFICATIONS:

Air Inlet: 1/2 NPT (male)
Air Outlet: 1/4 NPSM (male)
Pressure Drop: 2 psi (at 30 psi flowing 16 cfm)
Max. Pressure: 150 PSI
Max. Temp.: 150° F
Filter Size: 0.1 micron
Safety Data Sheet SDS-55 available upon request at www.autorefinishdevilbiss.com.

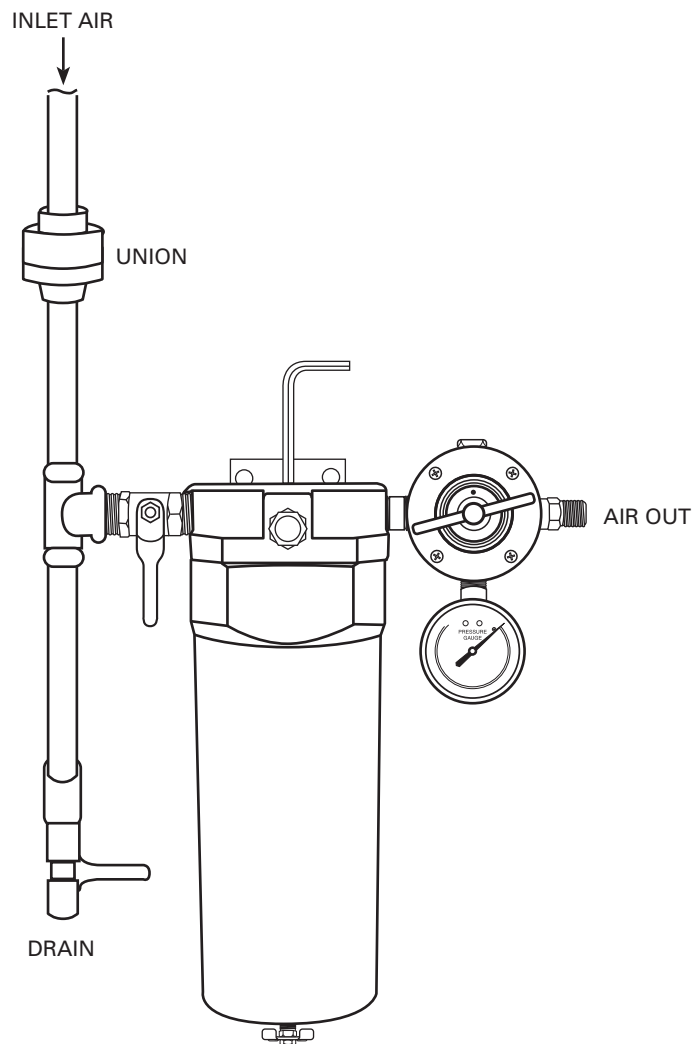
WARNING

Risk of personal injury.
Risk of property damage.

**RELEASE ALL AIR PRESSURE
BEFORE SERVICING.**

This product is specifically designed for compressed air service. Use with any other fluid (liquid or gas) is a misapplication. For example, use with or injection of certain hazardous gases in the system (such as oxygen or liquid petroleum gas) could be harmful to the unit or result in a combustible condition that may cause fire or explosion. Manufacturer's warranties are void in the event of misapplication and manufacturer assumes no responsibility for any resulting loss.

FIGURE 1



INSTALLATION

1. Assemble per Figure1 and fasten to wall.
 2. Store wrench in top as shown.
- For optimum performance, install at least 20 feet from the compressor.

OPERATION

1. Turn the regulator's handle clockwise to increase pressure.
2. To decrease pressure, turn the handle counterclockwise.
3. Relieve downstream pressure by triggering spray gun or tool.

MAINTENANCE

DAILY:

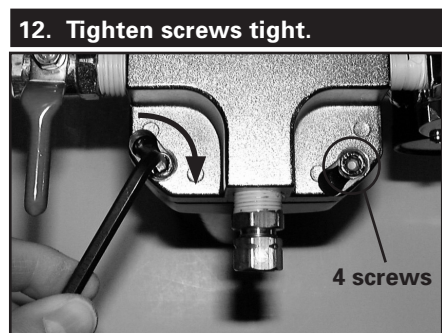
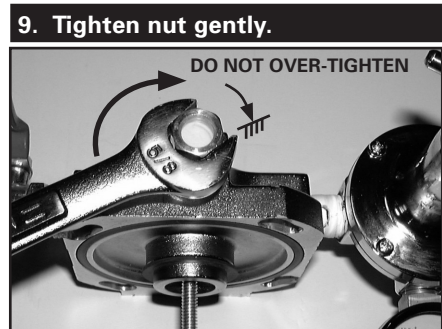
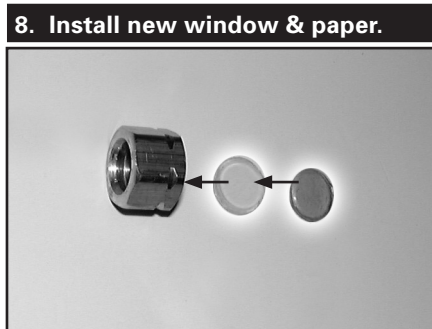
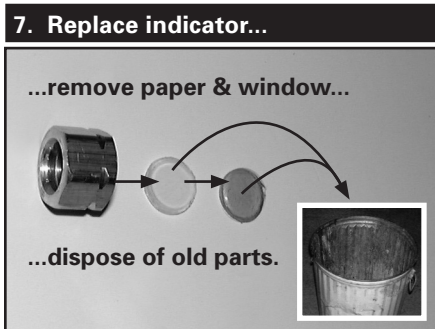
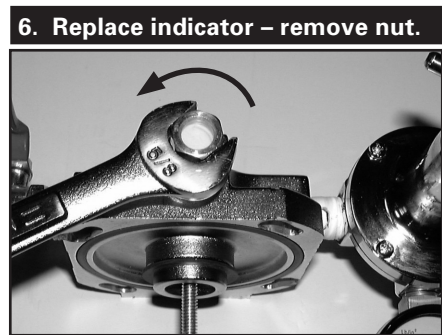
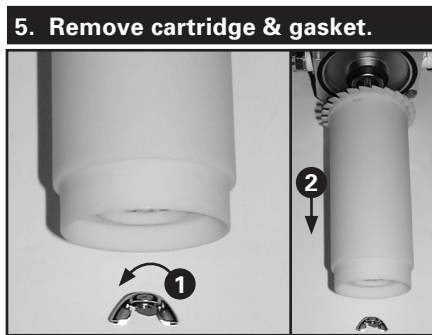
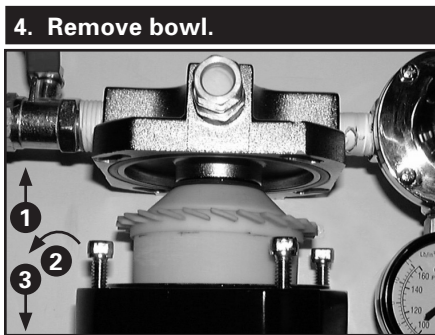
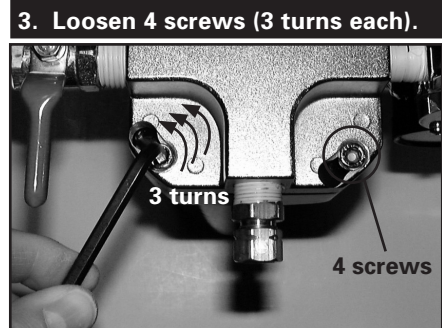
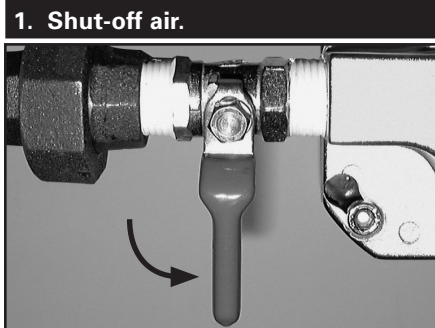
- **IMPORTANT** – Drain filter.
 - Check indicator:
 - Blue = OK
 - Pink/White = Replace Cartridge
- See Filter Cartridge Replacement, page 2.

SERVICE PARTS

See Parts List, page 3.

FILTER CARTRIDGE REPLACEMENT

⚠ WARNING
RISK OF INJURY – RELEASE ALL AIR PRESSURE BEFORE SERVICING.



The used cartridge is non-hazardous and can be disposed of according to local regulations.

NOTE
RISK OF DAMAGE.
Do not clean indicator window with solvent.
Replace if damaged or dirty.
Window is included with replacement cartridge.

PARTS LIST

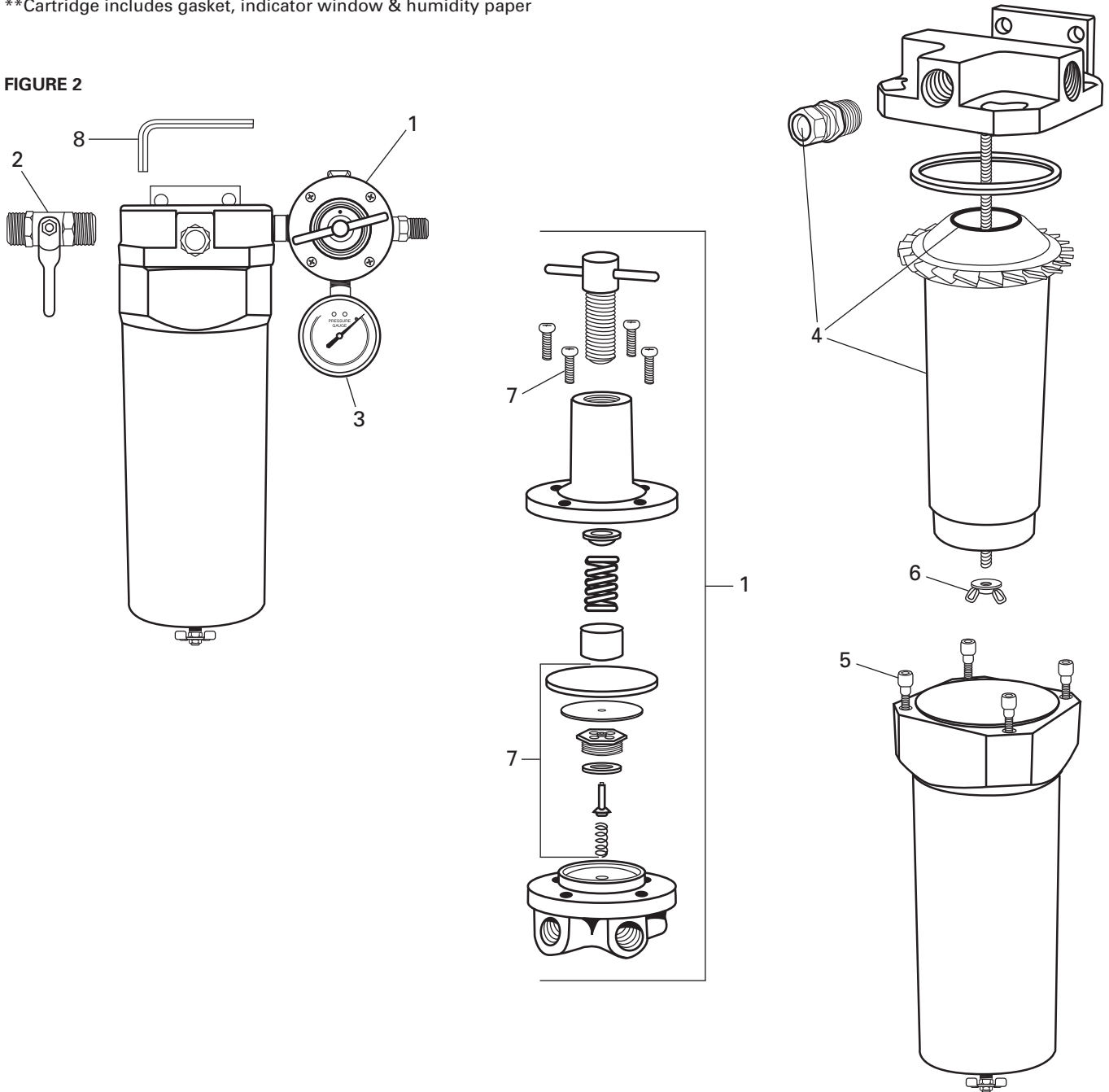
Ref. No.	Order No.	Part No.	Description	Individual Parts Req.
1	130100	HAR-520	Regulator	1
2	802188	VA-595	Shut-Off Valve	1
3	192314	GA-375	Pressure Gauge	1
4	130524	130524	Cartridge, Dryer Filter**	1
5	*	*	Socket Head Screw, 1/4-20 x 3/4	4

Ref. No.	Order No.	Part No.	Description	Individual Parts Req.
6	*	*	Wingnut, 1/4-20	1
7	802112	KK-5088	Regulator Repair Kit	1
8	*	*	5mm Hex Key Wrench	1

*Purchase locally

**Cartridge includes gasket, indicator window & humidity paper

FIGURE 2



POLÍTICA DE GARANTÍAS

Los productos DeVilbiss están cubiertos por la garantía limitada de materiales y mano de obra por un año de Carlisle Fluid Technologies. El uso de cualquier pieza o accesorio de una fuente que no sea Carlisle Fluid Technologies, anulará todas las garantías. Para obtener información específica sobre la garantía, favor ponerse en contacto con el local de Carlisle Fluid Technologies más cercano a usted entre los listados a continuación.



DeVilbiss Automotive Refinishing es parte de Carlisle Fluid Technologies, un líder global en tecnologías de acabados innovadores. Para asistencia técnica o para localizar un distribuidor autorizado, póngase en contacto con uno de nuestros centros internacionales de ventas y apoyo al cliente listados.

EE.UU./Canadá

www.autorefinishdevilbiss.com
askus@carlisleleft.com
Tel gratuito: 1-800-445-3988
Fax gratuito: 1-800-445-6643

México

www.autorefinishdevilbiss.com.mx
Tel gratuito: 1-888-835-6232 USA

Carlisle Fluid Technologies se reserva el derecho de modificar las especificaciones del equipo sin previo aviso. DeVilbiss®, Ransburg®, ms®, BGK®, Binks®, TEKNA®, FinishLine®, StartingLine®, CamAir®, CVi®, PLUS®, GTi®, y PRI® son marcas registradas de Carlisle Fluid Technologies, Inc.

CONDITIONS DE GARANTIE

Les produits DeVilbiss sont couverts contre les vices de matériel et de fabrication par une garantie limitée d'un an de Carlisle Fluid Technologies. L'utilisation de toutes pièces ou accessoires issus d'une source autre que Carlisle Fluid Technologies, annulera toutes les garanties. Pour des informations précises sur la garantie, veuillez contacter le site de Carlisle Fluid Technologies le plus proche, que vous trouverez sur la liste ci-dessous.



DeVilbiss Automotive Refinishing fait partie de Carlisle Fluid Technologies, un leader mondial dans le domaine des technologies innovatrices de finition. Pour toute assistance technique ou pour localiser un distributeur agréé, veuillez contacter l'un de nos bureaux de ventes internationaux et de soutien client.

USA/Canada

www.autorefinishdevilbiss.com
askus@carlisleleft.com
Tél sans frais: 1-800-445-3988
Fax sans frais: 1-800-445-6643

Mexique

www.autorefinishdevilbiss.com.mx
Tél sans frais: 1-888-835-6232 USA

Carlisle Fluid Technologies se réserve le droit de modifier sans préavis les spécifications de l'équipement. DeVilbiss®, Ransburg®, ms®, BGK®, Binks®, TEKNA®, FinishLine®, StartingLine®, CamAir®, CVi®, PLUS®, GTi®, et PRI® sont des marques de commerce déposées de Carlisle Fluid Technologies, Inc.

WARRANTY POLICY

DeVilbiss products are covered by Carlisle Fluid Technologies one year materials and workmanship limited warranty. The use of any parts or accessories, from a source other than Carlisle Fluid Technologies, will void all warranties. For specific warranty information please contact the closest Carlisle Fluid Technologies location listed below.



DeVilbiss Automotive Refinishing is part of Carlisle Fluid Technologies, a global leader in innovative finishing technologies. For technical assistance or to locate an authorized distributor, contact one of our international sales and customer support locations.

USA/Canada

www.autorefinishdevilbiss.com
askus@carlisleleft.com
Toll Free Tel: 1-800-445-3988
Toll Free Fax: 1-800-445-6643

Mexico

www.autorefinishdevilbiss.com.mx
Toll Free Tel: 1-888-835-6232 USA

Carlisle Fluid Technologies reserves the right to modify equipment specifications without prior notice. DeVilbiss®, Ransburg®, ms®, BGK®, Binks®, TEKNA®, FinishLine®, StartingLine®, CamAir®, CVi®, PLUS®, GTi®, and PRI® are registered trademarks of Carlisle Fluid Technologies, Inc.