

Cast Lavatory Wastes

TECK[®]
COMMERCIAL



Specification: (example)

Chrome plated, open grid, **cast brass** lavatory waste strainer.

- ❑ **33T260**
32mm (1-1/4") size P.O. plug with overflow holes, 19 hole grid pattern.
- ❑ **33T260SS**
Same as 33T260 but with Brilliance[®] Stainless finish.
- ❑ **33T260-1**
32mm (1-1/4") size C.O. plug less overflow holes 7 hole grid pattern.
- ❑ **33T260-1DC**
Same as 33T260-1 but with drain cover.

Specification: (example)

- ❑ **RP5651**
32mm (1-1/4") size, chrome plated **metal** mechanical lift waste pop-up. Field installable for removal or non-removal drain plug.



Cast Wheelchair Lavatory Wastes

TECK[®]
COMMERCIAL



Specification: (example)

32mm (1-1/4") size, polished chrome plated, offset open grid, **cast brass** lavatory waste strainer.

- ❑ **33T290**
P.O. plug with overflow holes 127mm (5.0") centers (See A), 19 hole grid pattern.
- ❑ **33T290SS**
Same as 33T290 but with Brilliance[®] Stainless finish.
- ❑ **33T290-1**
C.O. plug less overflow holes 127mm (5.0") centers (See A), 7 hole grid pattern.
- ❑ **33T290-1DC**
Same as 33T290-1 but with drain cover.

33T290-1



Specification: (example)

32mm (1-1/4") size, polished chrome plated, offset chain and rubber stopper, **cast brass** lavatory waste strainer.

- ❑ **33T295**
P.O. plug with overflow holes 127mm (5.0") centers. (See A)

33T290-1DC



33T295



Approvals:

- CSA certified
- Complies to ASME A112.18.1
- IAPMO Listed

(Contact Delta Representative for State and/or Local Approvals.)

Engineer/Architect Approval

Model Specified:

Approval:

Date:

Note: Measurements may vary ± 6mm (0.25")



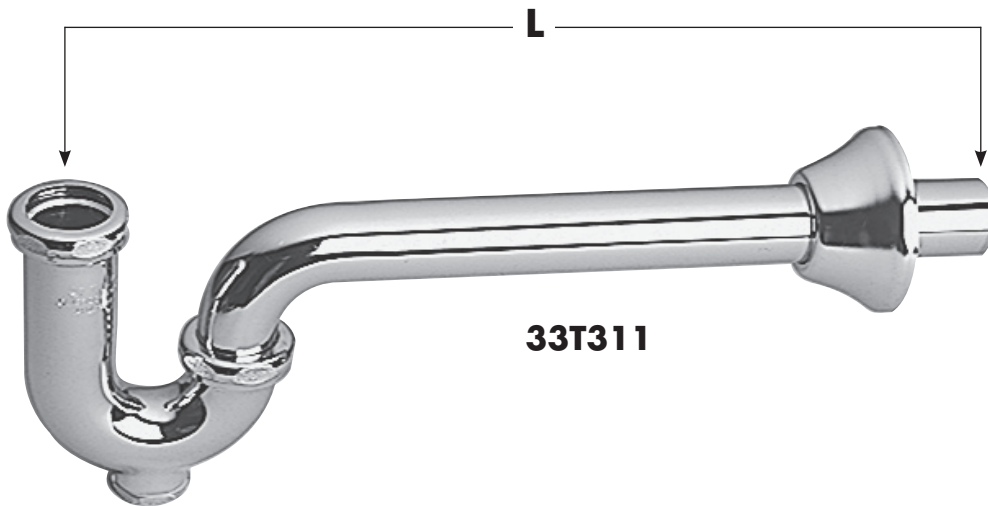
Refer to www.specselect.com for individual models.

Note: Use this page front and back as a product submittal sheet.

Specification: (example)

Polished chrome plated **cast brass body**, adjustable "P" trap

- ❑ **33T311**
32mm (1-1/4") size with
cleanout plug
L = 368mm (14.5")
- ❑ **33T301**
32mm (1-1/4") size less
cleanout plug
L = 368mm (14.5")
- ❑ **33T360**
38mm (1-1/2") size with
cleanout plug
L = 292mm (11.5")



Approvals:

- CSA certified
- Complies to ASME A112.18.1
- IAPMO Listed

(Contact Delta Representative for State and/or Local Approvals.)

Engineer/Architect Approval

Model Specified:

Approval:

Date:

Note: Measurements may vary $\pm 6\text{mm}$ (0.25")