

81T231-DEFM — 81T231 Exposed TECK® Flush Valve & DEFM-100 Electronic Sidemount Flush Kit

TECK®
COMMERCIAL



81T231-DEFM

- 81T231 Manual Exposed Urinal Flush Valve with DEFM-100 for electronic battery operation

81T231-DEFM



Specifications for 81T231

(FOR 3/4" TOP INLET URINAL FIXTURE)

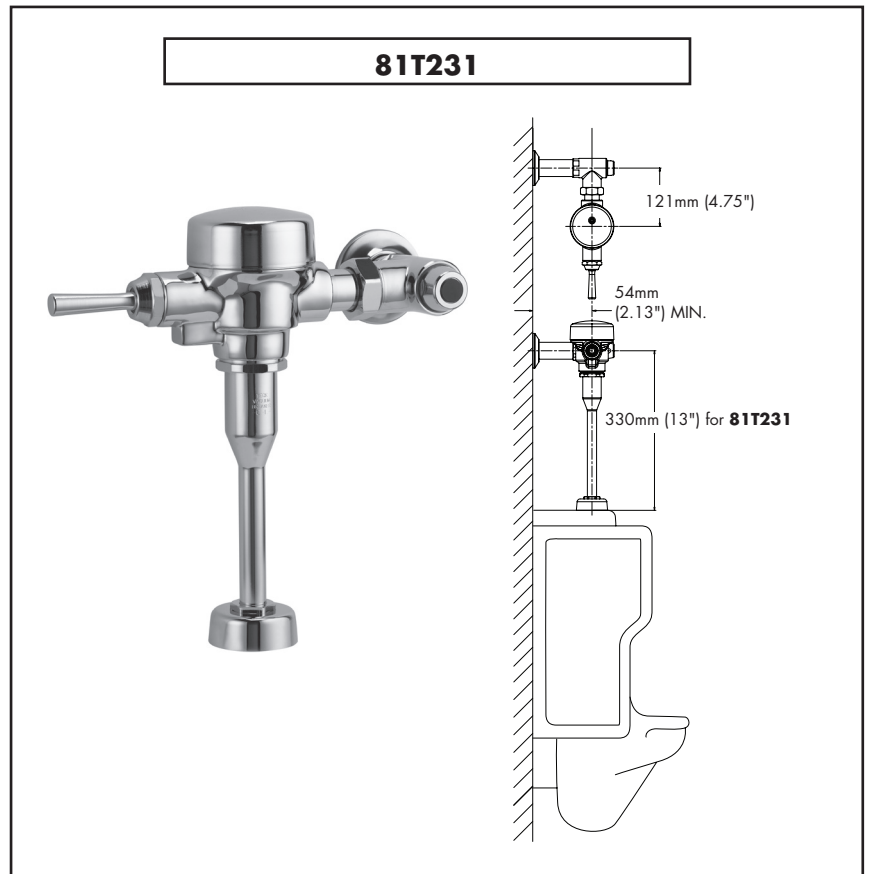
- Quiet action, TECK® exposed diaphragm flush valve
- Chloramine resistant diaphragm
- Forged brass diaphragm retainer
- Renewable seat
- Polished chrome plated finish
- **External water conserving flush volume adjustment**, factory set to 1.9 litre (0.50 gal.)
- Vandal resistant cover screw
- Metal "non hold open" handle
- **1" FIP/3/4" copper sweat inlet adaptor** angle check stop with protecting cap
- Adjustable 121mm (4-3/4") plus or minus 11mm (7/16") inlet/valve outlet centers
- Vacuum breaker
- Cover tube and S/S wall flange, spud flange and spud nut



Approvals for 81T231

- IAPMO listed to CSA B125.3 and ASSE 1037
- Indicates compliance to ICC/ANSI A117.1

(Contact Delta Representative for State and/or Local Approvals.)



Engineer/Architect Approval

Model Specified: _____

Approval: _____ Date: _____

Note: Measurements may vary ± 6mm (0.25")

Note: For high and low pressure applications, please see page FEA-81T High Water Pressure note for more details. Verify flow requirements with bowl manufacturer.

81T231-DEFM

- 81T231 Manual Exposed Urinal Flush Valve with DEFM-100 for electronic battery operation

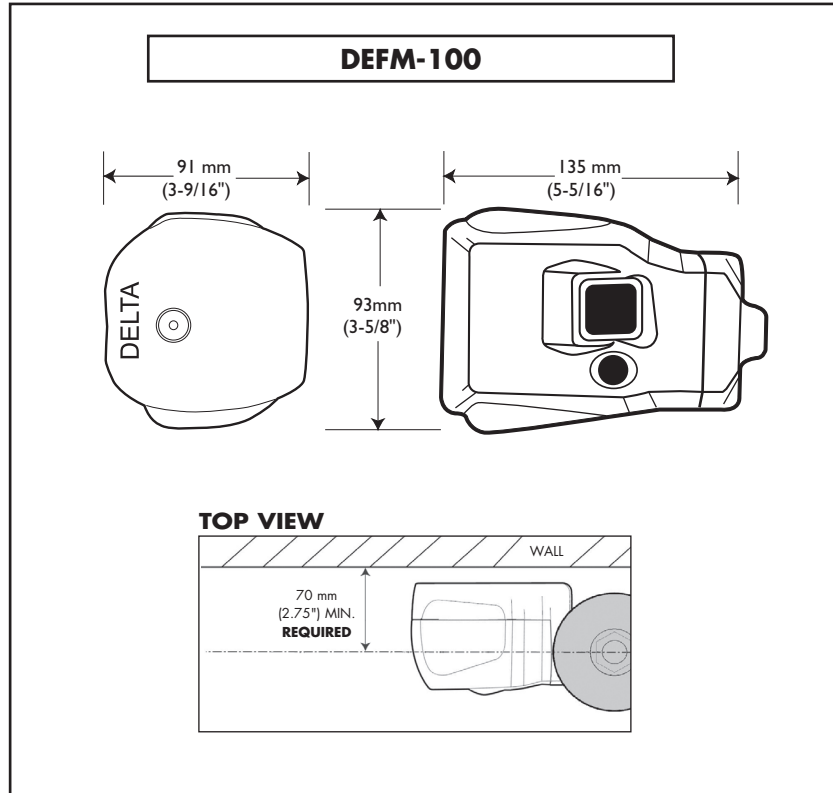
81T231-DEFM

Specifications for DEFM-100

- Side Mount Electronic Flush Kit for use on 81T TECK[®] Exposed Manual Toilet or Urinal Flush Valves, and for use on 86T Metering Washdown Urinals
- 4 'C' Cell Batteries (included)
- Clamp unit for right-hand or left-hand flush handle installation
- Optional 24 hour automatic flush
- Yellow LED light or optional audio tone indicates low battery
- Green LED light indicates user is detected
- Adjustable sensor range 305 - 1295mm (12" to 51") – factory set at 914mm (36")
- Courtesy manual flush button
- Meets ADA requirements
- Can also be used on Sloan[®], Zurn[®], and Crane[®] models

Note:

3 year Delta[®] Commercial Faucet Limited Warranty


Approvals for DEFM-100

- Indicates compliance to ICC / ANSI A117.1

(Contact Delta Representative for State and/or Local Approvals.)