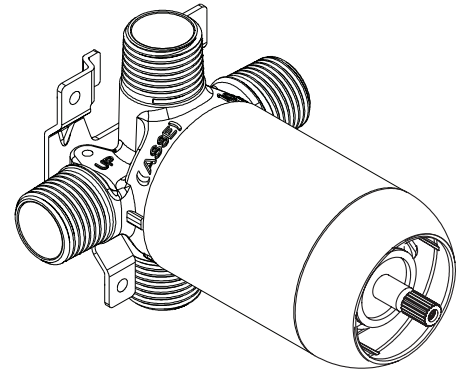


CFG



Pressure Balancing Cycling In-Wall Valve

DESCRIPTION

- Brass construction
- 1/2" connections: IPS - exterior
CC - interior
- Pressure balancing 4 port cycling valve
- Twelve (12) individual boxes per master carton

OPERATION

- Pressure balancing mechanism maintains selected discharge temperature to $\pm 3^\circ\text{F}$
- Adjustable temperature limit stop to control maximum hot water
- For use with stud thicknesses 2-1/2" or greater

CARTRIDGE

- European ceramic disc technology
- Non-metallic, non-ferrous, and plastic material

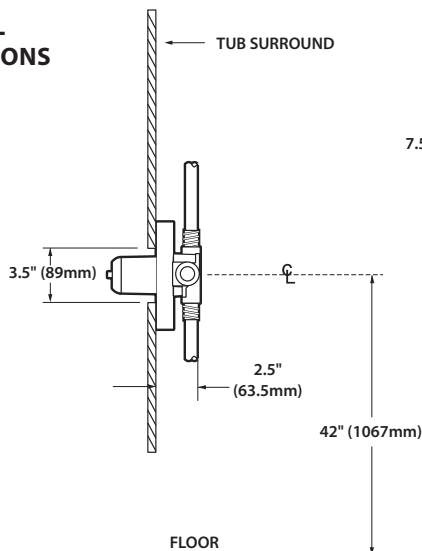
STANDARDS

- Third party certified to ASME A112.18.1/CSA B125.1, ASSE 1016, and all applicable requirements referenced therein

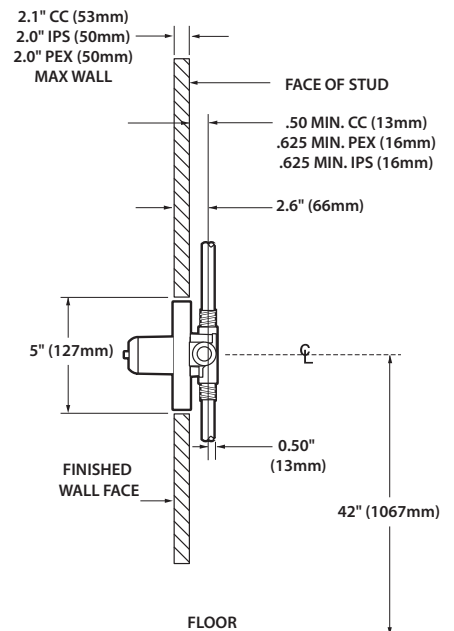
WARRANTY

- Ten (10) year limited warranty against defects in materials and manufacturing workmanship
- Refer to the installation instructions enclosed with each CFG product or call 1-888-450-4910 for complete warranty information.

CRITICAL DIMENSIONS



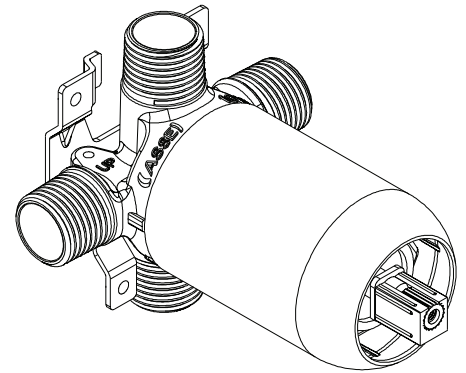
THIN WALL



THICK WALL



A Moen Incorporated Brand



Pressure Balancing Cycling In-Wall Valve

DESCRIPTION

- Brass construction
- 1/2" connections: IPS - exterior
CC - interior
- Pressure balancing 4 port cycling valve
- Twelve (12) individual boxes per master carton

OPERATION

- Pressure balancing mechanism maintains selected discharge temperature to $\pm 3^{\circ}\text{F}$
- Adjustable temperature limit stop to control maximum hot water
- For use with stud thicknesses 2-1/2" or greater

CARTRIDGE

- European ceramic disc technology
- Non-metallic, non-ferrous, and plastic material

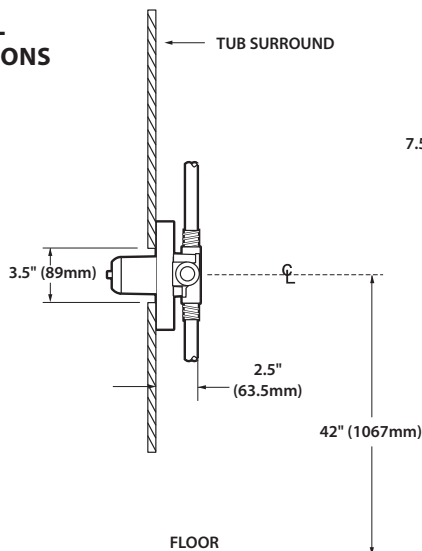
STANDARDS

- Third party certified to ASME A112.18.1/CSA B125.1, ASSE 1016, and all applicable requirements referenced therein

WARRANTY

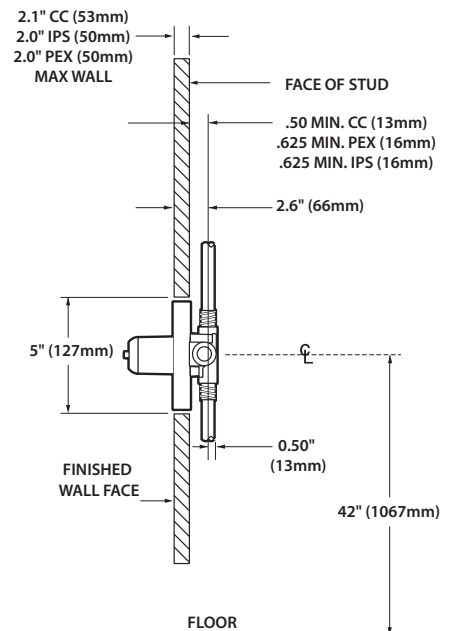
- Ten (10) year limited warranty against defects in materials and manufacturing workmanship
- Refer to the installation instructions enclosed with each CFG product or call 1-888-450-4910 for complete warranty information.

CRITICAL DIMENSIONS



THIN WALL

CLEVELAND FAUCET GROUP • 25300 AL MOEN DRIVE • NORTH OLMSTED, OHIO 44070 • (888) 450-5522 • www.cfgonline.com



THICK WALL