


For Residential and Commercial Applications

Job Name		Engineer / Architect	
Job Location		Wholesaler	
Submittal Date		Contractor	

PR14X/PR34X Multi-Turn Straight Stop - CPVC x Compression

Use: For use in potable water distribution systems in accessible locations only. Not intended for recirculating water systems that produce continuous use temperatures above 115° F. For those applications, use our KT™ series ball stop.

Design Features:

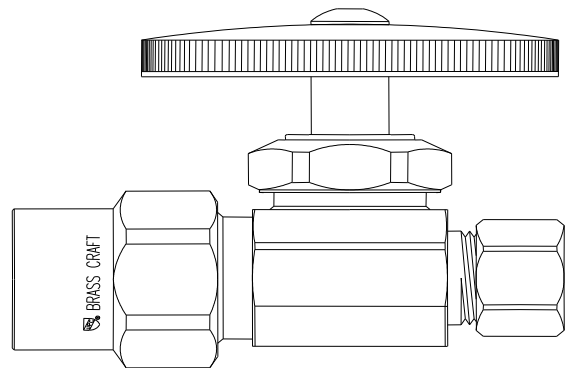
- **Machined one-piece brass body** provides strength, durability, and long-lasting performance
- **Oval knurled handle** provides a secure grip and smooth on/off operation
- 

Operating Specifications:

Temperature: 40° - 160° F
Pressure: 125 PSI maximum



STOP MATERIAL SPECIFICATIONS	
Body	Brass, plated
Stem	POM or Brass
Bib & Packing Washers	Rubber
Packing Nut	Brass, plated
Handle	Lexan
Handle Screw	Steel, zinc plated
CPVC Insert	CPVC
CPVC Washer	Rubber
Compression Sleeve & Nut	Brass, plated
CPVC Nut	Brass, plated



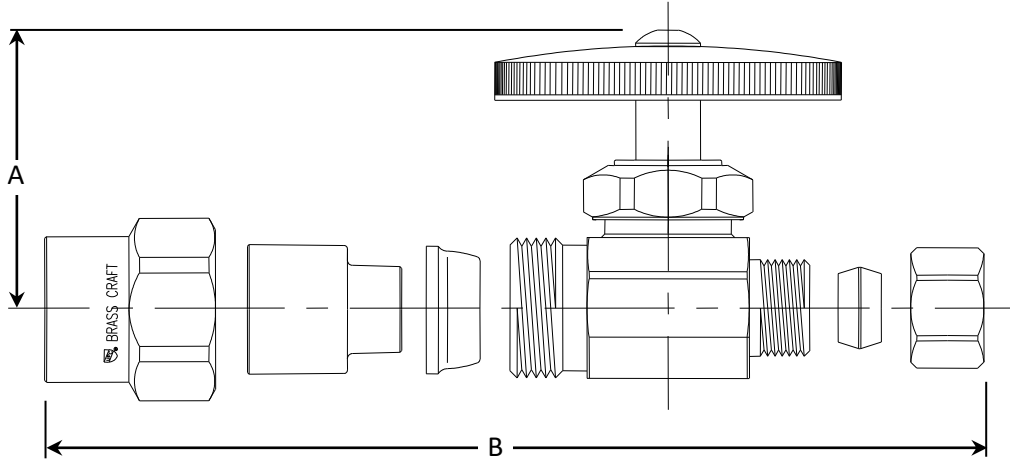
Part Listing:

- PR14X C 1/2" nom CPVC x 3/8" OD compression, chrome
- PR14X C1 1/2" nom CPVC x 3/8" OD compression, chrome, window tray
- PR14X BZ 1/2" nom CPVC x 3/8" OD compression, oil-rubbed bronze
- PR14X NS 1/2" nom CPVC x 3/8" OD compression, satin nickel
- PR14X R 1/2" nom CPVC x 3/8" OD compression, rough brass

This specification and all information contained herein is the confidential and exclusive property of BrassCraft Manufacturing Company and shall not be disclosed to others without the written consent of Brasscraft. This specification must be returned to Brasscraft if requested.

PR14X/PR34X Multi-Turn Straight Stop - CPVC x Compression

PART DIMENSIONS (Inches)		
Model	DIM. A	DIM. B
PR14X	1.77	2.60



Listings & Certifications:

- IAPMO listed to ASME A112.18.1 / CSA B125.1 (includes NSF/ANSI 372 and NSF/ANSI/CAN 61)



This specification and all information contained herein is the confidential and exclusive property of BrassCraft Manufacturing Company and shall not be disclosed to others without the written consent of Brasscraft. This specification must be returned to Brasscraft if requested.

BrassCraft®