

*For Residential and Commercial Applications*

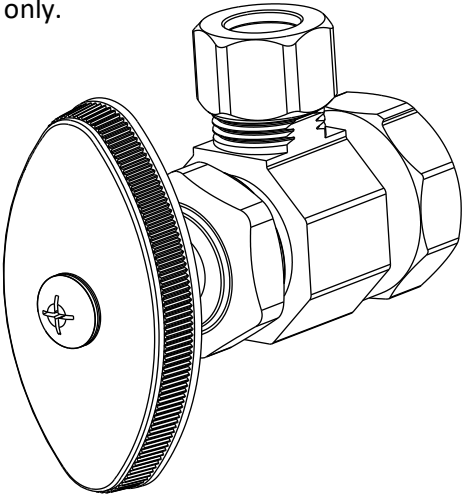
Job Name: \_\_\_\_\_ Engineer/Architect: \_\_\_\_\_  
 Job Location: \_\_\_\_\_ Wholesaler: \_\_\_\_\_  
 Submittal Date: \_\_\_\_\_ Contractor: \_\_\_\_\_

## OR15/OR35/OR07/OR17/OR37 Multi-Turn Angle Stop – Female Iron Pipe x Compression

**Use:** For use in potable water distribution systems in accessible locations only.

**Design Features:**

- **Machined one-piece brass body** provides strength, durability, and long-lasting performance.
- **Knurled oval handle** provides a secure grip and smooth on/off operation.
- **Easy-to-remove handle** with screw attachment helps protect against accidental stop operation during rough-ins.
- **No-lead brass material** meets compliance for safe drinking.



**Operating Specifications:**

**Temperature:** 40° - 160° F  
**Pressure:** 125 PSI maximum

<b>STOP MATERIAL SPECIFICATIONS</b>	
<b>Body</b>	<i>Brass, plated</i>
<b>Stem</b>	<i>POM or Brass, plated</i>
<b>Bib &amp; Packing Washers</b>	<i>Rubber</i>
<b>Packing Nut</b>	<i>Brass, plated</i>
<b>Handle</b>	<i>Zinc, die cast plated; ABS, plated; or polycarbonate</i>
<b>Handle Screw</b>	<i>Steel, zinc plated</i>
<b>Compression Sleeve</b>	<i>Brass</i>
<b>Compression Nut</b>	<i>Brass, plated</i>
<b>Optional Loose Key</b>	
<b>Loose Key Stem</b>	<i>Brass</i>
<b>Lock Shield</b>	<i>Brass, plated</i>
<b>Loose Key</b>	<i>Zinc die cast</i>



\*Excludes loose key handle

*This specification and all information contained herein is the confidential and exclusive property of BrassCraft Manufacturing Company and shall not be disclosed to others without the written consent of BrassCraft®. This specification must be returned to BrassCraft if requested.*

# OR15/OR35/OR07/OR17/ OR37 Multi-Turn Angle Stop – Female Iron Pipe x Compression

## Part Listing:

<input type="checkbox"/>	OR15X C	3/8" FIP x 3/8" OD Compression, Chrome Plated
<input type="checkbox"/>	OR15X C1	3/8" FIP x 3/8" OD Compression, Chrome Plated, Window Tray
<input type="checkbox"/>	OR15X R	3/8" FIP x 3/8" OD Compression, Rough Brass
<input type="checkbox"/>	OR15ZX C	3/8" FIP x 3/8" OD Compression, Brass Stem, Chrome Plated
<input type="checkbox"/>	OR07X C	1/2" FIP x 1/4" OD Compression, Chrome Plated
<input type="checkbox"/>	OR07X C1	1/2" FIP x 1/4" OD Compression, Chrome Plated, Window Tray
<input type="checkbox"/>	OR07X R	1/2" FIP x 1/4" OD Compression, Rough Brass
<input type="checkbox"/>	OR17X C	1/2" FIP x 3/8" OD Compression, Chrome Plated
<input type="checkbox"/>	OR17X C1	1/2" FIP x 3/8" OD Compression, Chrome Plated, Window Tray
<input type="checkbox"/>	OR17X R	1/2" FIP x 3/8" OD Compression, Rough Brass
<input type="checkbox"/>	OR17ZX C	1/2" FIP x 3/8" OD Compression, Brass Stem, Chrome Plated
<input type="checkbox"/>	OR17ZX C1	1/2" FIP x 3/8" OD Compression, Brass Stem, Chrome Plated, Window Tray
<input type="checkbox"/>	OR35X C	3/8" FIP x 1/2" OD Compression, Chrome Plated
<input type="checkbox"/>	OR37X C	1/2" FIP x 1/2" OD Compression, Chrome Plated
<input type="checkbox"/>	OR37X C1	1/2" FIP x 1/2" OD Compression, Chrome Plated, Window Tray
<input type="checkbox"/>	OR37ZX C	1/2" FIP x 1/2" OD Compression, Brass Stem, Chrome Plated
<input type="checkbox"/>	SR15X C	3/8" FIP x 3/8" OD Compression, Loose Key, Chrome Plated
<input type="checkbox"/>	SR17X C1	1/2" FIP x 3/8" OD Compression, Loose Key, Chrome Plated, Window Tray

*This specification and all information contained herein is the confidential and exclusive property of BrassCraft Manufacturing Company and shall not be disclosed to others without the written consent of BrassCraft®. This specification must be returned to BrassCraft if requested.*

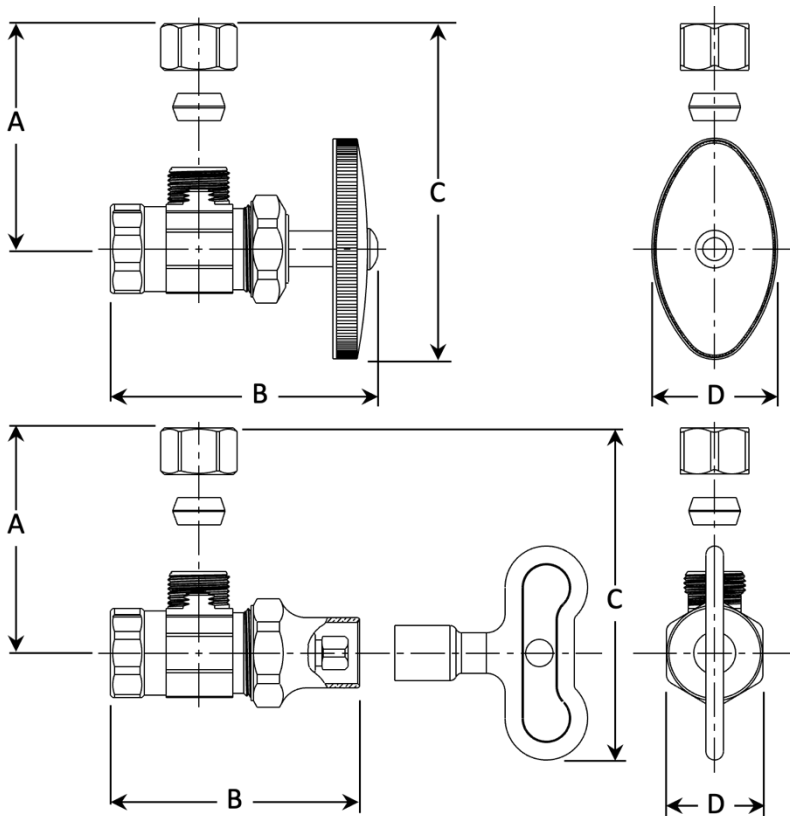
400.29 OR15/35/07/17/37 Multi-Turn Angle Stop - FIP x Comp REV 1.25

**BrassCraft®**

©2025 BrassCraft Manufacturing Company

# OR15/OR35/OR07/OR17/OR37 Multi-Turn Angle Stop – Female Iron Pipe x Compression

PART DIMENSIONS (Inches)				
Model	DIM. A	DIM. B	DIM. C	DIM. D
OR15X / OR15ZX	1.10	2.54	2.10	1.14
OR35X / OR35ZX	1.22	2.64	2.15	1.14
SR15X	1.10	2.26	2.07	.87
OR07X / OR07ZX	1.08	2.68	1.23	1.14
OR17X / OR17ZX	1.15	2.49	2.15	1.14
OR37X / OR37ZX	1.15	2.70	1.23	1.14
SR17X	1.15	2.32	2.03	.91



**Listings & Certifications:**

- IAPMO listed to ASME A112.18.1 / CSA B125.1 (includes NSF/ANSI 372 and NSF/ANSI/CAN 61)

NSF/ANSI/  
CAN61:Q ≤0.5



\*Excludes loose key handle

*This specification and all information contained herein is the confidential and exclusive property of BrassCraft Manufacturing Company and shall not be disclosed to others without the written consent of BrassCraft®. This specification must be returned to BrassCraft if requested.*

400.29 OR15/35/07/17/37 Multi-Turn Angle Stop - FIP x Comp REV 1.25

**BrassCraft®**

©2025 BrassCraft Manufacturing Company