

Job Name:

Engineer/Architect:

Job Location:

Wholesaler:

Submittal Date:

Contractor:

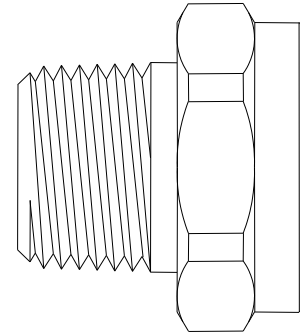
HU21 Series Male Iron Pipe x Female Hose Thread Adaptor

Use: For use with residential and commercial grade garden hose. All female hose thread connections require a rubber washer (Items SF0741 and SFB0741 sold separately) inserted prior to installation.

Operating Specifications:

Temperature: -35° to 100° F

Working Pressure: 75 PSI Max. (Not to exceed 150 PSI)

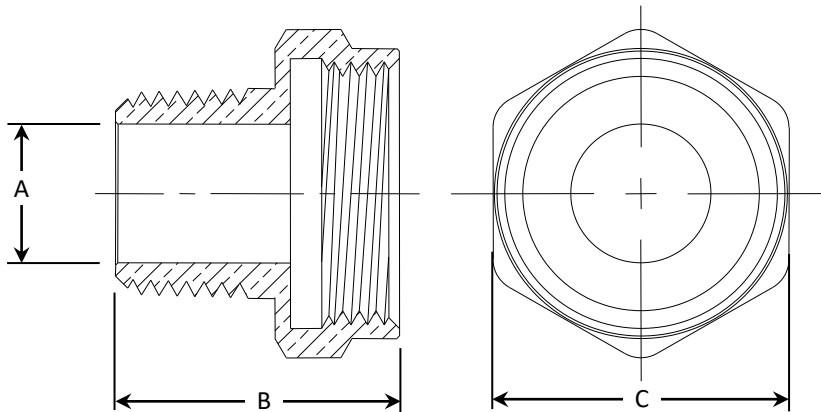


FITTING MATERIAL SPECIFICATIONS	
Body	Brass

PART DIMENSIONS (Inches)			
Model	DIA. A	DIM. B	HEX. C
HU21-8-12	.561	1.14	1-3/16
HU21-12-12	.750	1.16	1-3/16

Part Listing:

- HU21-8-12 1/2" MIP x 3/4" female hose thread (3/4-11-1/2 thread)
- HU21-8-12 B 1/2" MIP x 3/4" female hose thread (3/4-11-1/2 thread), bulk
- HU21-12-12 3/4" MIP x 3/4" female hose thread (3/4-11-1/2 thread)
- HU21-12-12 B 3/4" MIP x 3/4" female hose thread (3/4-11-1/2 thread), bulk



This specification and all information contained herein is the confidential and exclusive property of BrassCraft Manufacturing Company and shall not be disclosed to others without the written consent of BrassCraft. This specification must be returned to BrassCraft if requested.

