

For Residential and Commercial Applications

Job Name		Engineer / Architect	
Job Location		Wholesaler	
Submittal Date		Contractor	

CR1900/1901X Multi-Turn Dual Outlet Stop - Compression Inlet

Use: For use in potable water distribution systems in accessible locations only. Not intended for recirculation systems/continuous use temperatures above 115° F. For those applications, use our KT™ series ball stop.

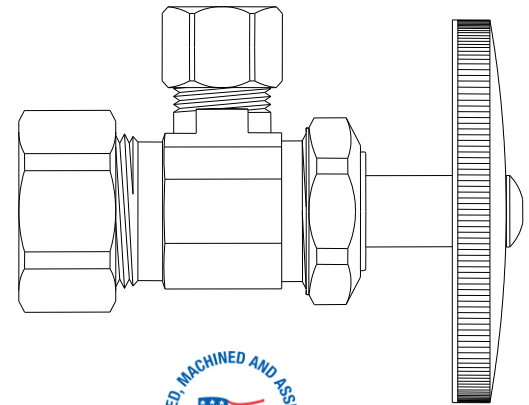
Design Features:

- **Machined one-piece brass body** provides strength, durability, and long-lasting performance
- **Knurled oval handle** provides a secure grip and smooth on/off operation
- **Easy-to-remove handle** helps protect against accidental stop operation during rough-ins



Operating Specifications:

- Temperature:** 40° - 160° F
- Pressure:** 125 PSI maximum



STOP MATERIAL SPECIFICATIONS	
Body	<i>Brass, plated</i>
Stem	<i>POM or brass, plated</i>
Handle	<i>ABS, plated; die cast, plated; or polycarbonate</i>
Handle Screw	<i>Steel, zinc plated</i>
Bib & Packing Washer	<i>Rubber</i>
Packing Nut	<i>Brass, plated</i>
Compression Sleeve	<i>Brass</i>
Compression Nut	<i>Brass, plated</i>

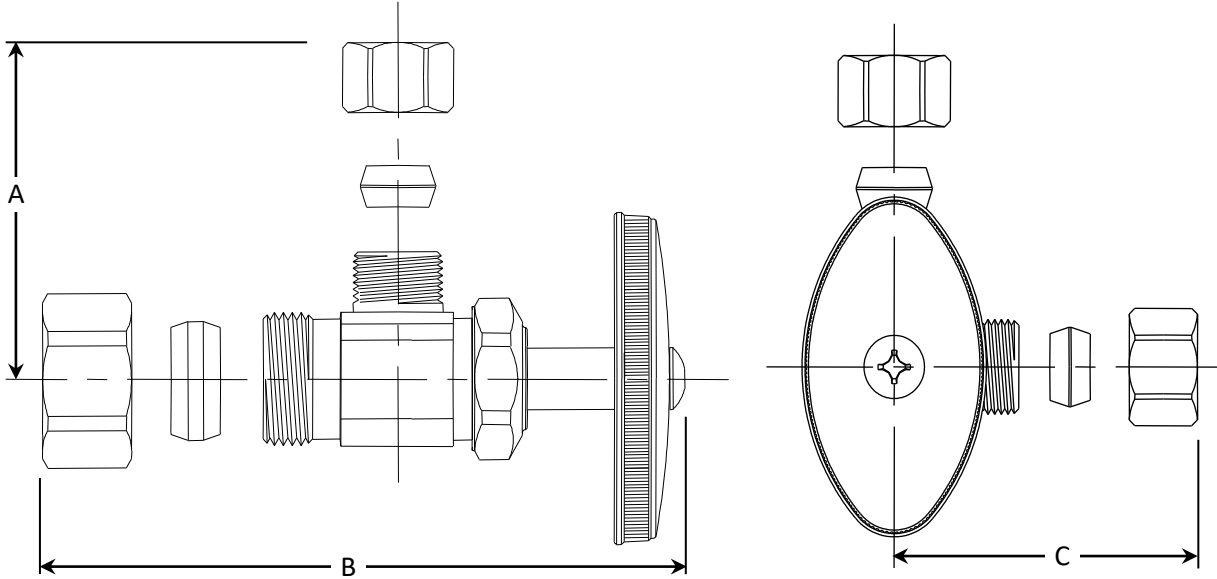
Part Listing:

- CR1900LX C1 1/2 in. nom compression x 3/8 in. OD compression x 1/4 in. OD compression (left side), chrome plated, window tray
- CR1900LX R1 1/2 in. nom compression x 3/8 in. OD compression x 1/4 in. OD compression (left side), rough brass, window tray
- CR1900RX C1 1/2 in. nom compression x 3/8 in. OD compression x 1/4 in. OD compression (right side), chrome plated, window tray
- CR1900RX R1 1/2 in. nom compression x 3/8 in. OD compression x 1/4 in. OD compression (right side), rough brass, window tray
- CR1901LRX C1 1/2 in. nom compression x 3/8 in. OD compression x 3/8 in. OD compression, chrome plated, window tray
- CR1901LRX RD 1/2 in. nom compression x 3/8 in. OD compression x 3/8 in. OD compression, rough brass, carded
- CR1901LRX R1 1/2 in. nom compression x 3/8 in. OD compression x 3/8 in. OD compression, rough brass, window tray

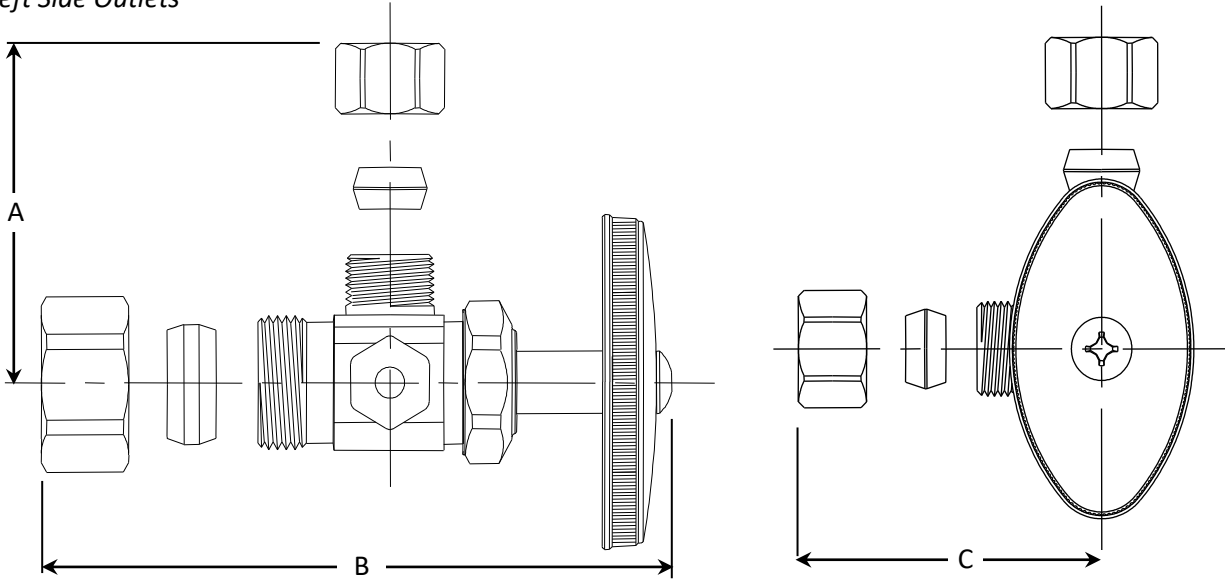
This specification and all information contained herein is the confidential and exclusive property of BrassCraft Manufacturing Company and shall not be disclosed to others without the written consent of BrassCraft Manufacturing Company. This specification must be returned to BrassCraft Manufacturing Company if requested.

CR1900/1901X Multi-Turn Dual Outlet Stop - Compression Inlet

Right Side Outlets



Left Side Outlets



PART DIMENSIONS (Inches)			
Model	DIM. A	DIM. B	DIM. C
CR1900LX	1.04	2.90	1.06
CR1900RX	1.04	2.90	1.06
CR1901LRX	1.04	2.90	1.06

Listings & Certifications:

- IAPMO listed to ASME A112.18.1 / CSA B125.1 (includes NSF/ANSI 372 and NSF61)

NSF/ANSI/
CAN61:Q≤0.5



This specification and all information contained herein is the confidential and exclusive property of BrassCraft Manufacturing Company and shall not be disclosed to others without the written consent of BrassCraft Manufacturing Company. This specification must be returned to BrassCraft Manufacturing Company if requested.