

For Residential and Commercial Applications

Job Name		Engineer / Architect	
Job Location		Wholesaler	
Submittal Date		Contractor	

BRPX09X/19X Multi-Turn Angle Stop – Barbed PEX x Compression

Use: For use in potable water distribution systems in accessible locations only. Not intended for recirculating water systems that produce continuous use temperatures above 115° F. For those applications, use our KT™ series ball stop.

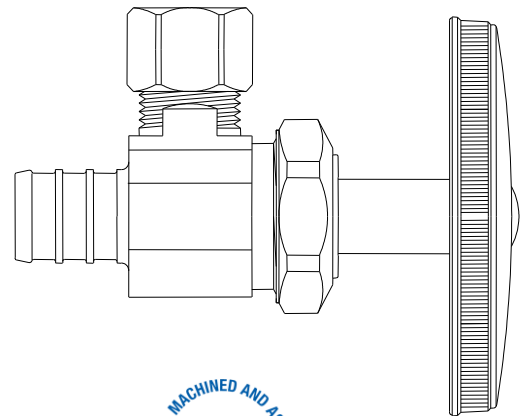
Design Features:

- **Machined one-piece brass body** provides strength, durability, and long-lasting performance
- **Knurled oval handle** provides a secure grip and smooth on/off operation
- **Easy-to-remove handle** with screw attachment helps protect against accidental stop operation during rough-ins
- **PEX end** designed to ASTM F1807
- **For use with** ASTM F876 PEX tubing, in ASTM F877 water distribution systems using ASTM F1807



Operating Specifications:

Temperature: 40° - 160° F
Pressure: 125 PSI maximum



STOP MATERIAL SPECIFICATIONS	
Body	Brass, plated
Stem	POM
Bib & Packing Washer	Rubber
Packing Nut	Brass or brass, plated
Handle	Polycarbonate
Handle Screw	Steel, plated
Plastic Sleeve	Plastic
Compression Nut	Brass, plated
Compression Sleeve	Brass
Loose Key	Zinc die cast
Lock Shield	Brass, plated
Loose Key Stem	Brass, plated

Part Listing:

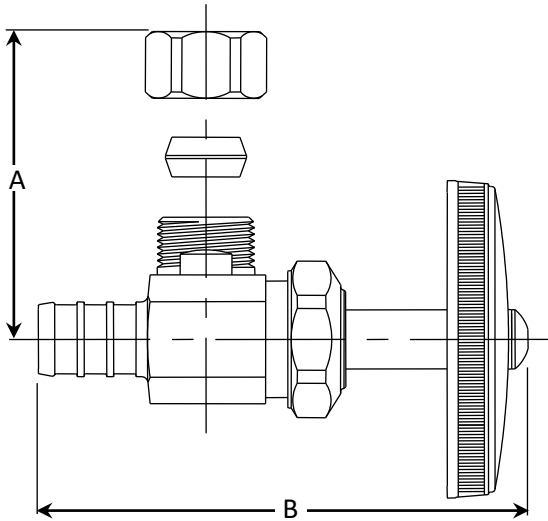
- | | | |
|--------------------------|-------------|--|
| <input type="checkbox"/> | BRPX09X C | 1/2" nom crimp barb (for PEX) x 3/8" OD compression, chrome |
| <input type="checkbox"/> | BRPX09X R | 1/2" nom crimp barb (for PEX) x 3/8" OD compression, rough brass |
| <input type="checkbox"/> | BRPX19X C | 1/2" nom crimp barb (for PEX) x 3/8" OD compression, chrome |
| <input type="checkbox"/> | BRPX19X C1 | 1/2" nom crimp barb (for PEX) x 3/8" OD compression, chrome, window tray |
| <input type="checkbox"/> | BRPX19X R | 1/2" nom crimp barb (for PEX) x 3/8" OD compression, rough brass |
| <input type="checkbox"/> | BRPX19TX CB | 1/2" nom crimp barb (for PEX) x 3/8" OD compression, chrome |
| <input type="checkbox"/> | BRPX1BX C | 3/8" nom crimp barb (for PEX) x 3/8" OD compression, chrome |
| <input type="checkbox"/> | BRPX1BX CM | 3/8" nom crimp barb (for PEX) x 3/8" OD compression, chrome, contractor pack |

This specification and all information contained herein is the confidential and exclusive property of BrassCraft Manufacturing Company and shall not be disclosed to others without the written consent of BrassCraft. This specification must be returned to BrassCraft if requested.



BRPX09X/19X Multi-Turn Angle Stop – Barbed PEX x Compression

PART DIMENSIONS (Inches)		
Model	DIM A	DIM B
BRPX19X	1.06	2.79
BRPX1BX	1.06	2.85



Listings & Certifications:

- IAPMO listed to ASME A112.18.1 / CSA B125.1 (includes NSF/ANSI372 & NSF61)



This specification and all information contained herein is the confidential and exclusive property of BrassCraft Manufacturing Company and shall not be disclosed to others without the written consent of BrassCraft. This specification must be returned to BrassCraft if requested.