

For Residential and Commercial Applications

Job Name		Engineer / Architect	
Job Location		Wholesaler	
Submittal Date		Contractor	

60 Series Compression Sleeves

Use: For use with instrumentation, hydraulic, and pneumatic systems. Designed for use with aluminum, copper, and plastic tubing. Not intended for use with steel tubing.

Design Features:

- **Little to no tube preparation.** Compression fittings do not require flaring, soldering or other types of tube preparation
- **Available in a broad range of sizes**

Operating Specifications:

- Temperature:** -65° - 250° F at maximum operating pressures
Working Pressure: See chart below
Vibration: Fair vibration resistance



WORKING PRESSURE		
PSI	Tube O.D.	Tube Wall (Inches)
400	1/8	0.030
400	3/16	0.030
300	1/4	0.030
300	5/16	0.032
200	3/8	0.032
200	1/2	0.032
150	5/8	0.035
100	3/4	0.035
75	7/8	0.035

FITTING MATERIAL SPECIFICATIONS	
Compression Sleeve	Brass

Part Listing:

- 60-2 For 1/8" OD tube
- 60-2 B For 1/8" OD tube, bulk
- 60-3 For 3/16" OD tube
- 60-3 B For 3/16" OD tube, bulk
- 60-4 For 1/4" OD tube
- 60-4 B For 1/4" OD tube, bulk
- 60-4 CB For 1/4" OD tube, chrome plated, bulk

This specification and all information contained herein is the confidential and exclusive property of Brasscraft Manufacturing Company and shall not be disclosed to others without the written consent of Brasscraft Mfg. Co. This specification must be returned to Brasscraft Mfg. Co. if requested.

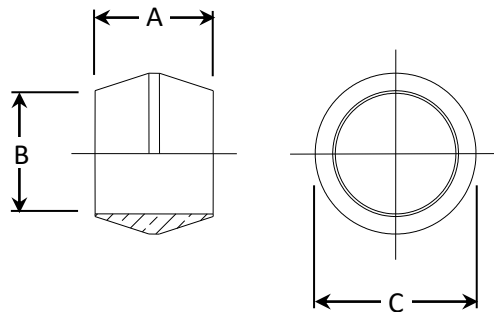
60 Series Compression Sleeves

Part Listing (con't):

- 60-5 For 5/16" OD tube
- 60-5 B For 5/16" OD tube, bulk
- 60-6 For 3/8" OD tube
- 60-6 B For 3/8" OD tube, bulk
- 60-7 For 7/16" OD tube
- 60-7 B For 7/16" OD tube, bulk
- 60-8 For 1/2" OD tube
- 60-8 B For 1/2" OD tube, bulk
- 60-10 For 5/8" OD tube
- 60-10 B For 5/8" OD tube, bulk
- 60-12 For 3/4" OD tube
- 60-12 B For 3/4" OD tube, bulk
- 60-14 For 3/4" OD tube
- 60-14 B For 3/4" OD tube, bulk

PART DIMENSIONS (Inches)			
Model	DIM. A	DIA. B	DIA. C
60-2	.19	.130	.188
60-3	.22	.192	.266
60-4	.25	.255	.340
60-5	.25	.318	.406
60-6	.25	.382	.468

PART DIMENSIONS (Inches)			
Model	DIM. A	DIA. B	DIA. C
60-7	.31	.444	.531
60-8	.31	.507	.597
60-10	.31	.632	.718
60-12	.44	.758	.875
60-14	.34	.893	1.00



This specification and all information contained herein is the confidential and exclusive property of Brasscraft Manufacturing Company and shall not be disclosed to others without the written consent of Brasscraft Mfg. Co. This specification must be returned to Brasscraft Mfg. Co. if requested.