



# WF2703, WF2704, WF2705, WF2708

## Stainless Steel Classic Washfountains

- Available in 54" or 36" diameter semi-circular or circular bowls
- 9" deep bowl, designed for heavy-duty hand washing
- Reliable foot, air, infrared activations, or TouchTime® mechanical metering

### Specifications

#### Size and Capacity

Semi-circular models accommodate up to 3 users (36" models) or 4 users (54" models) at a time. Circular models accommodate up to 5 users (36" models) or 8 users (54" models) at a time. The classic sprayhead (non-sectional) is controlled by a foot rail, air activated pushbutton, an infrared sensor, or an electronic pushbutton or piezo switch. Bowl, pedestal, and fittings require assembly. The operating range is 20-80 psi. Flow rate controlled by volume control valve.

#### Construction

**Bowl:** One-piece pressing of 14-gauge stainless steel with a #4 polished finish.

**Pedestal:** Constructed of die-formed legs, upper braces, scuff bases and panels; legs are zinc chromate plated 14 gauge steel; upper braces are 16 gauge galvanized steel; and scuff bases and pedestal panels are 300 series stainless steel with a #4 finish.

#### Standard Equipment

##### Valves and Fittings

In addition to the bowl and pedestal, the following valves and fittings are standard: sprayhead with stainless steel support tube and bowl gasket; spud with domed strainer; sprayhead supply line; manual mixing valve; volume control valve; and (2) stop, strainer, and check valves.

#### Activation Controls

##### Foot

Each press of the foot rail mechanically actuates a hold-open valve with slow closing upon release of foot pressure. Foot rail activates a flow of tempered water at a rate of 0.50 gpm (1.9 Lpm) for WF2703; 1.0 gpm (3.8 Lpm) for WF2704; 0.75 gpm (2.8 Lpm) for WF2705; or 1.0 gpm (3.8 Lpm) for WF2708 from the classic non-sectional sprayhead.

##### Air

Each push button pneumatically actuates a non-hold-open, air metering, single-temperature valve with field adjustable timing from 0–45 seconds. Factory preset at 11 seconds. Each pushbutton activates a flow of tempered water from the classic non-sectional sprayhead. Push button requires less than five pounds of pressure.

##### Infrared

Hands placed within the bowl are detected by an infrared sensor module which activates a flow of tempered water at a rate of 0.75 gpm (2.8 Lpm) for WF2703; 1.25 gpm (4.7 Lpm) for WF2704; 0.75 gpm (2.8 Lpm) for WF2705; or 1.0 gpm (3.8 Lpm) for WF2708 from the classic non-sectional sprayhead. Shut-off is automatic seven seconds after hands are removed from the detection area. The infrared sensor uses a conical-shaped transmitting beam, having a detection area adapted to, but not exceeding, the bowl perimeter. The detection area projects forward 15° to each side and 15° below and extends 6 to 9 inches from the sensor module. The infrared sensor is not affected by varying color tones or darkness. Direct sunlight or bright washroom lights will not activate the system. Infrared models also include solenoid valves and a 12V plug-in adapter as standard equipment:

- Solenoid – 12VDC, 3/4" NPT. Few moving parts, and resistant to most chemicals, minerals, and impurities often present in municipal water supplies.
- Low-Voltage UL/CSA listed 120VAC/12VDC plug-in adapter. Plugs into a standard GFCI protected electrical outlet. Location of plug-in adapter per local electrical code.



#### TouchTime® Mechanical Metering

Each low-voltage, mechanical pushbutton or piezo switch actuates a non-hold-open, slow-closing, anti-hammer solenoid valve that is timed from an electronic potted assembly. Each pushbutton activates a flow of tempered water at a rate of 0.15 gpc (0.57 Lpc) for WF2703; 0.25 gpc (0.95 Lpc) for WF2704; 0.15 gpc (0.57 Lpc) for WF2705; or 0.25 gpc (0.95 Lpc) for WF2708 from the classic non-sectional sprayhead. TouchTime controls water flow at all stations through the use of solid state, digital circuitry. Timing is factory set at 11 second run time but is field adjustable to pre-set timeout periods and optional auto-flush function. The 24 hour flush function will activate water flow for a period of 60 seconds any time there has been no activation within the past 24 hours. Pushbutton and piezo switch requires less than five pounds of pressure.

#### Product Compliance

##### Listed by IAPMO R&T to

- Uniform Plumbing Code (UPC)
- National Plumbing Code of Canada
- International Plumbing Code (IPC)
- IGC 156 and the requirements of ASME A112.19.3/CSA B45.4 and ASME A112.18.1/CSA B125.1



##### Listed by NSF International to

- NSF/ANSI 372





# WF2703, WF2704, WF2705, WF2708 Stainless Steel Classic Washfountains

<b>Models</b> (Must select one)			
Model	Size	Users	Material
WF2703	36" Semi-Circular	3	Stainless
WF2704	54" Semi-Circular	4	Stainless
WF2705	36" Circular	5	Stainless
WF2708	54" Circular	8	Stainless

<b>Standard Selections</b> (Must select one from each category)	
<b>Drain Type (select one)</b>	
<b>A</b>	Off-line vent with supplies from below
<b>B</b>	Centrally rising vent with supplies from above
<b>H</b>	Centrally rising vent with supplies from below
<b>O</b>	Off-line vent with supplies from above

<b>Mounting Height Type (select one)</b>	
<b>STD</b>	Standard Height <b>JUV</b> Juvenile Height †
<b>XHT</b>	Extended Height

<b>Sprayhead Type (select one)</b>	
<b>CLC</b>	Classic Sprayhead (entire sprayhead activates)

<b>Activation Type (select one)</b>	
<b>F</b>	Foot <b>TTPA</b> TouchTime Pushbutton***
<b>IRP</b>	Infrared <b>TTPB</b> TouchTime Piezo Switch***
<b>AST4</b>	Air Push Button

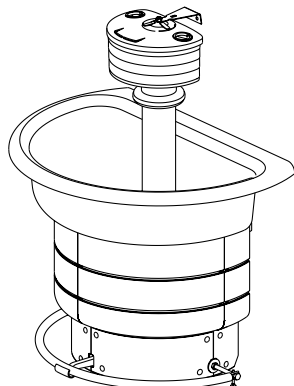
<b>Water Supply Type (select one)</b>	
<b>MMV</b>	Manual Mixing Valve ♦ <b>TMA</b> Thermostatic Mixing Valve

<b>Soap Dispenser Type (select one)</b>	
<b>PSD</b>	Powdered Soap Dispenser <b>MPSD</b> Metal-Clad Powdered Soap Disp.
<b>LSD</b>	Liquid Soap Dispenser <b>SA</b> Cube Adapter for Individual Soap Dispensers (dispensers sold separately) ‡
<b>MLSD</b>	Metal-Clad Liquid Soap Dispenser <b>NSD</b> No Soap Dispenser

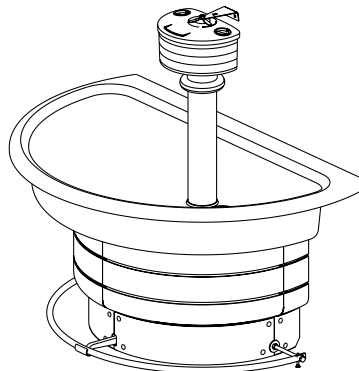
<b>Optional Selections</b>	
<b>Backsplash Type</b>	
<b>BS</b>	Stainless Steel Backsplash ††
<b>NBS</b>	No Backsplash
<b>Shroud Type</b>	
<b>SH</b>	Stainless Steel Shroud (Conceals Overhead Piping)*
<b>NONE</b>	No Shroud
<i>NOTE: Floor to ceiling height is required; maximum height of 13 ft. 0 in. A height greater than the maximum height will be considered a special order.</i>	
<b>Support Tube Reinforcement Type</b>	
<b>TA</b>	1-1/2" Tie Pipe Assembly (not required when SH is selected) §
<b>NONE</b>	No Tie Pipe Assembly
<b>Towel Dispenser Type</b>	
<b>CFTD</b>	(2 for semi, 3 for circular) C-Fold, Multi-Fold Dispenser
<b>SFTD</b>	(2 for semi, 3 for circular) Single-Fold Dispenser
<b>NONE</b>	No Towel Dispenser
<b>Hose Bibb Type</b>	
<b>HB</b>	Hose Bibb**
<b>NONE</b>	No Hose Bibb

- \* Non-cancelable, not-returnable
- \*\* Available with STD height only. Non-cancelable, non-returnable.
- \*\*\* TTPA and TTPB require a low-voltage UL/CSA listed 120VAC/12VDC plug-in adapter.
- † Not available with Foot Control on drain types B & H
- ‡ Towel dispenser with SA option is non-cancelable and non-returnable.
- †† Only available with WF2703 and WF2704 units.
- § Required with drain A, drain O, and towel dispensers.
- ♦ Not a temperature limiting device. Installer must provide an ASSE 1070 device where required per code.

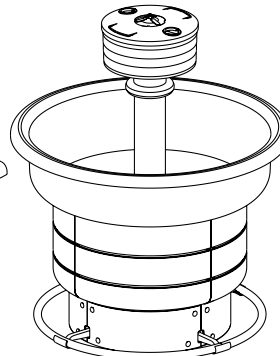
## Semi-Circular Stainless Steel WF2703 and WF2704, Circular Stainless Steel WF2705 and WF2708



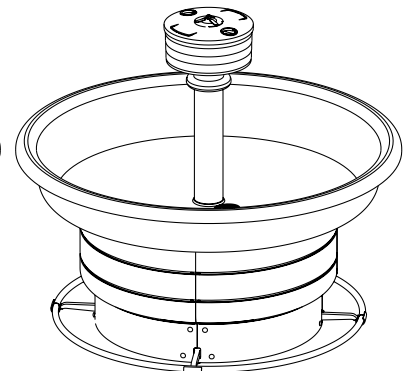
WF2703



WF2704



WF2705



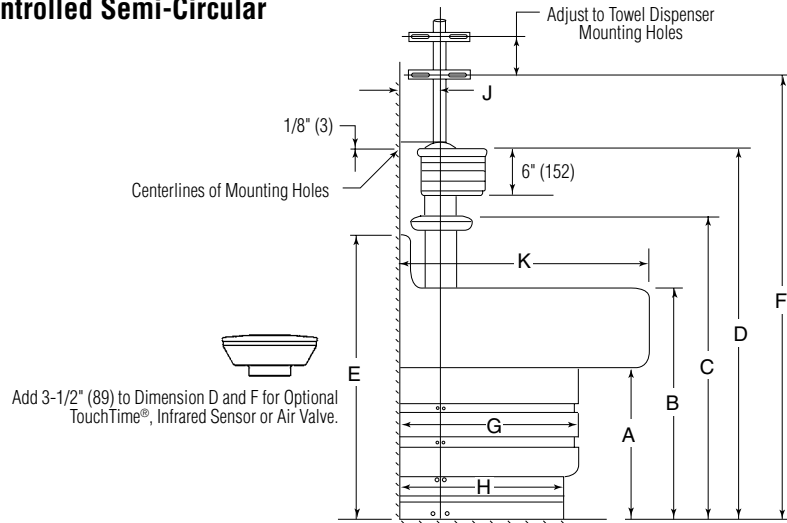
WF2708



# WF2703, WF2704, WF2705, WF2708 Stainless Steel Classic Washfountains

## Dimensions — Foot Controlled Semi-Circular

(mm)



### Dimensions – Inches (mm)

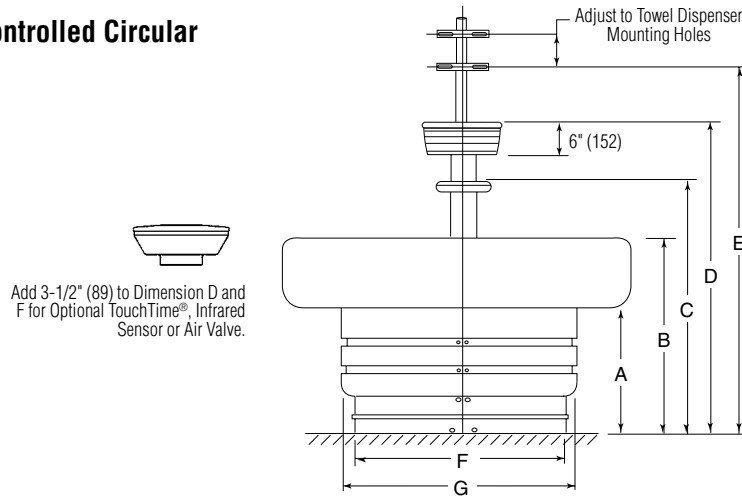
Size	A*	B*	C*	D*	E*	F*	G	H	J	K
54 (1372)	19 (483)	28 (711)	37 $\frac{1}{8}$ (949)	45 $\frac{7}{8}$ (1165)	32 $\frac{1}{2}$ ** (826)	54 $\frac{1}{4}$ (1378)	26 $\frac{1}{4}$ (667)	24 $\frac{1}{4}$ (616)	8 $\frac{1}{4}$ (210)	35 $\frac{1}{4}$ (895)
36 (914)	19 (483)	28 (711)	33 $\frac{3}{8}$ (860)	42 $\frac{3}{8}$ (1076)	32 $\frac{1}{2}$ ** (826)	50 $\frac{3}{4}$ (1289)	20 $\frac{1}{4}$ (514)	18 $\frac{1}{4}$ (464)	7 $\frac{3}{4}$ (197)	25 $\frac{3}{4}$ (654)

\* Subtract 4" for Juvenile Height

\*\* Backsplash: Only when backplash is specified; otherwise, dimension B applies.

## Dimensions — Foot Controlled Circular

(mm)



### Dimensions – Inches (mm)

Size	A*	B*	C*	D*	E*	F	G
54 (1372)	19 (483)	28 (711)	37-3/8 (949)	45-7/8 (1165)	54-1/4 (1378)	32 (813)	36 (914)
36 (914)	19 (483)	28 (711)	33-7/8 (860)	42-3/8 (1076)	50-3/4 (1289)	21 (533)	25 (635)

\* Subtract 4" for Juvenile Height



# WF2703, WF2704, WF2705, WF2708 Stainless Steel Classic Washfountains

## Rough-Ins – Semi-Circular

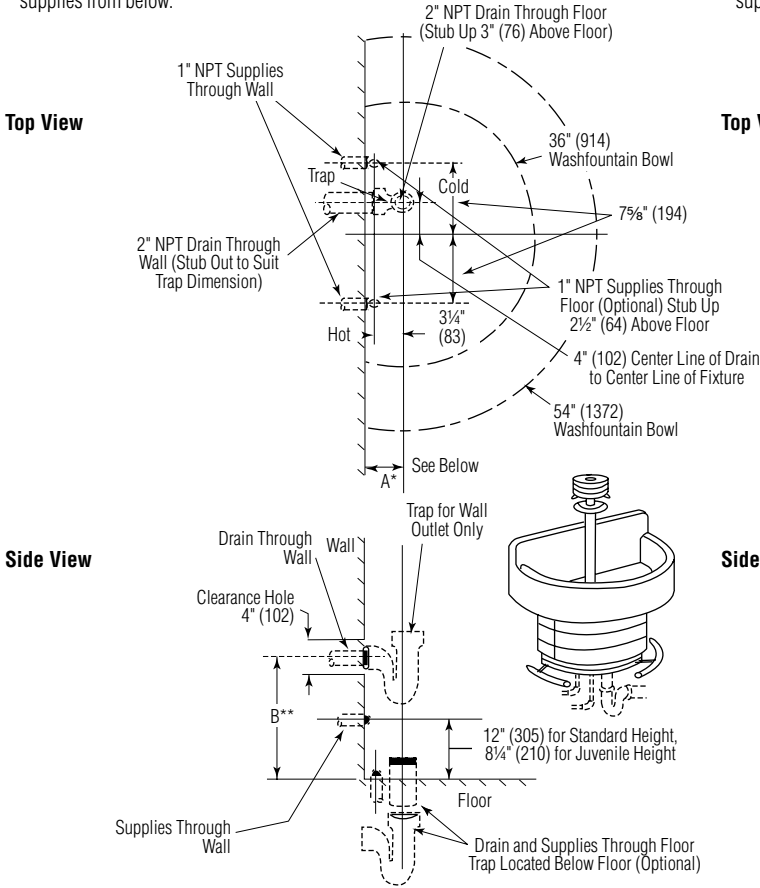
(mm)

### Rough-In Notes

1. All pipes and fittings not furnished by Bradley are shown in broken lines.
2. Supply lines for one to two washfountains should be 1"; for three washfountains 1 1/4"; for more than three washfountains, pipe sizes should be increased proportionately.
3. Overhead supplies must be reduced to 1/2" copper tube to pass through support tube.
4. Check valve inlets are 1/2" NPT.
5. Drain Types B and H: For maximum rigidity of sprayhead/support tube assembly, use 1 1/2" NPT galvanized pipe for vent. Use of plastic or copper for vent is not recommended.

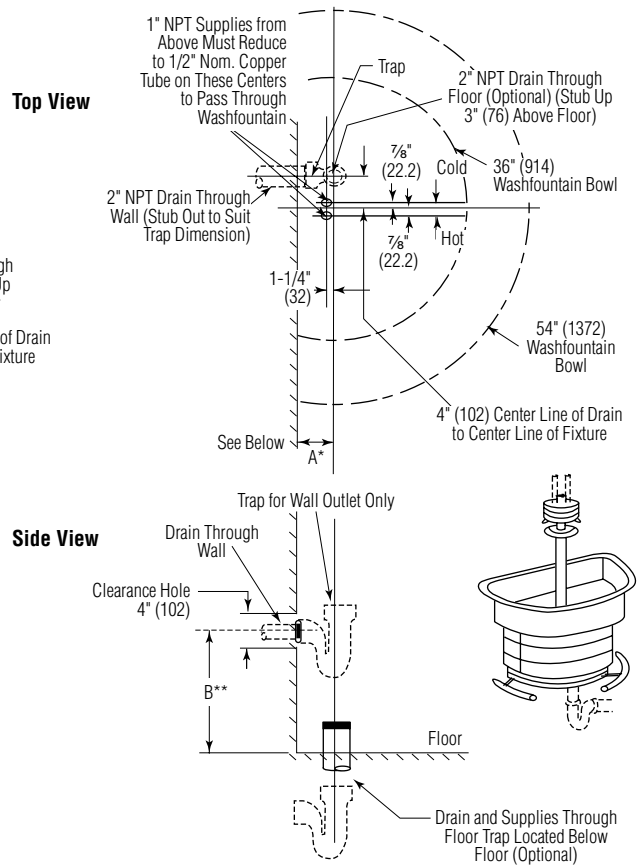
### Type A

– Off-line vent with supplies from below.



### Type O

– Off-line vent with supplies from above.



### Installing Traps

When installing trap with a coupling and nipple, see dimension D in the chart below. If trap is installed tight to bottom of bowl, dimension D depends on design of trap.

Bowl Size	A*	B** (Standard Height)	B** (Juvenile Height)
54" (1372)	8 1/4" (210)	6 to 11 5/8" (152 to 295)	16 to 8 5/8" (152 to 219)
36" (914)	7 3/4" (197)	6 to 12" (152 to 305)	6 to 9" (152 to 229)

\* Wall to centerline of trap

\*\* Centerline of drain to floor



# WF2703, WF2704, WF2705, WF2708 Stainless Steel Classic Washfountains

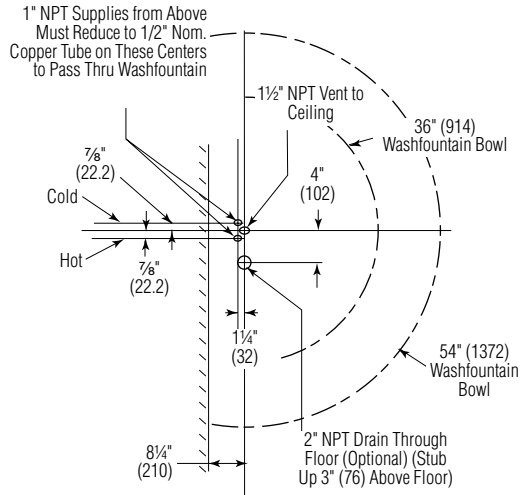
## Rough-Ins – Semi-Circular (continued)

(mm)

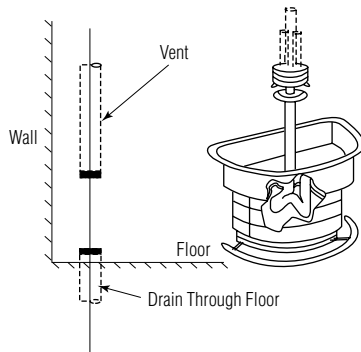
### Type B

– Centrally rising vent with supplies from above.

#### Top View



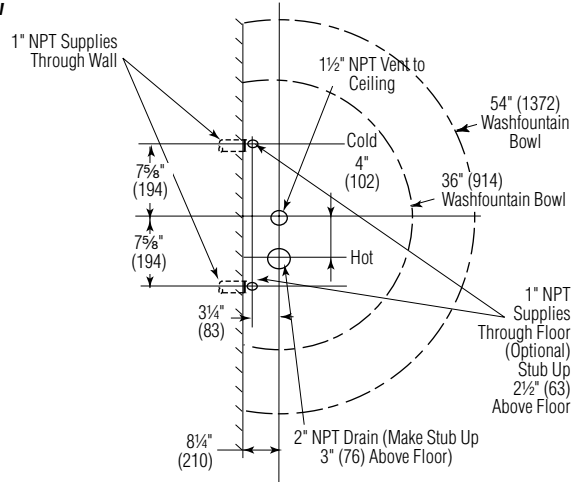
#### Side View



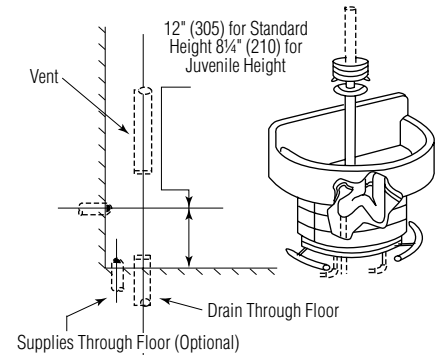
### Type H

– Centrally rising vent with supplies from below.

#### Top View



#### Side View



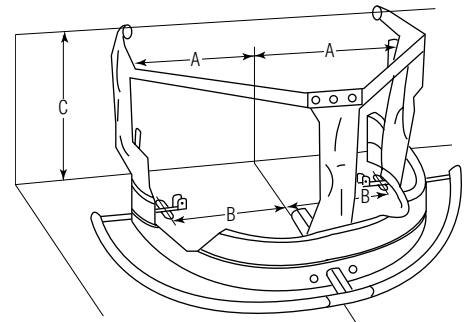
## Dimensions – Pedestal Anchoring

(mm)

Bowl Size	Standard Height			Juvenile Height		
	A	B	C	A	B	J
54" (1372)	16 1/2" (419)	14" (356)	18 1/4" (464)	16 1/2" (419)	14" (356)	14 1/4" (362)
36" (914)	11" (279)	8 5/8" (219)	18 1/4" (464)	11" (279)	8 5/8" (219)	14 1/4" (362)

### Anchoring Pedestals

1. Place pedestal assembly as shown.
2. Anchor pedestal assembly to floor and wall with suitable wall fasteners. Backing may be required in some types of wall construction.



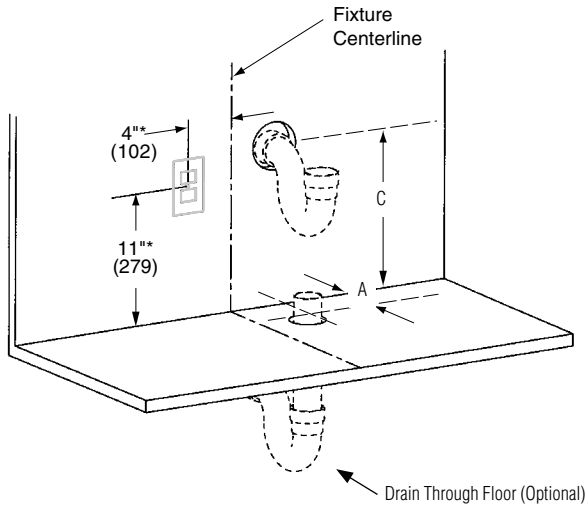


# WF2703, WF2704, WF2705, WF2708 Stainless Steel Classic Washfountains

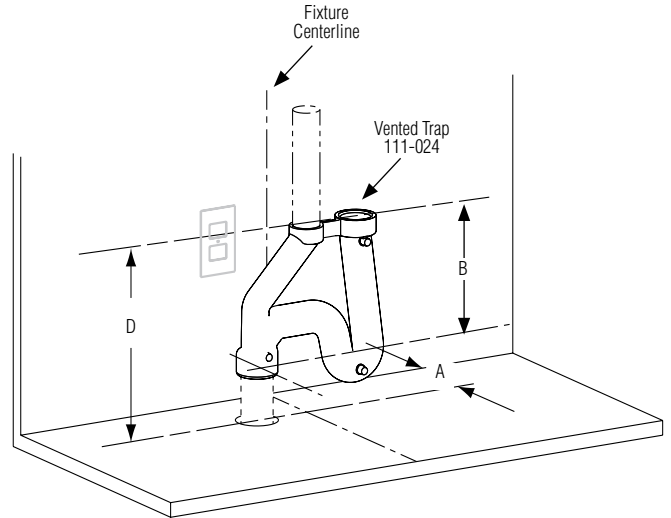
## Rough-Ins – Semi-Circular (continued)

(mm)

### Types A and O



### Types B and H



\* Suggested location of 120VAC GFCI electrical outlet. Always check local codes before installing. Outlet may be required to be in a remote location.

Model	Bowl Size	A (All Types)	B (Types B & H)	C (Types A & O)		D (Types B & H)	
				Standard Height	Juvenile Height	Standard Height	Juvenile Height
WF2704, WF2708	54" (1372)	8¼" (210)	7" (178)	6 to 11½" (152 to 295)	6 to 8⅝" (152 to 219)	17" (432)	13" (330)
WF2703, WF2705	36" (914)	7¾" (197)	7" (178)	6 to 12" (152 to 305)	6-9" (152 to 229)	17⅝" (441)	13⅝" (340)



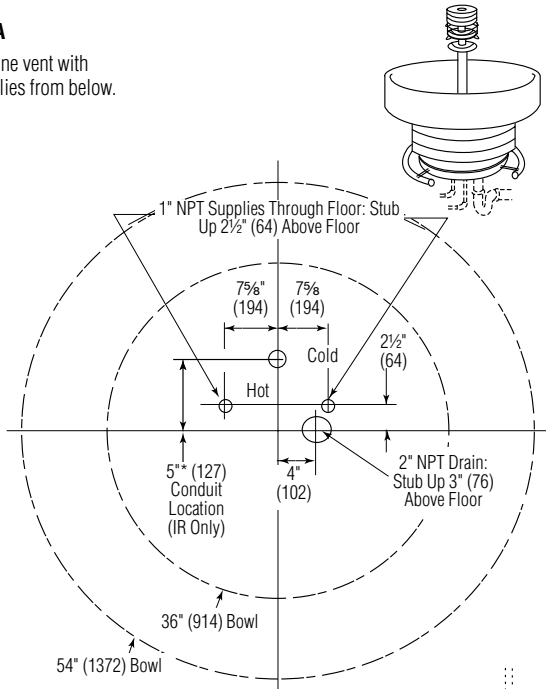
# WF2703, WF2704, WF2705, WF2708 Stainless Steel Classic Washfountains

(mm)

## Rough-Ins – Circular

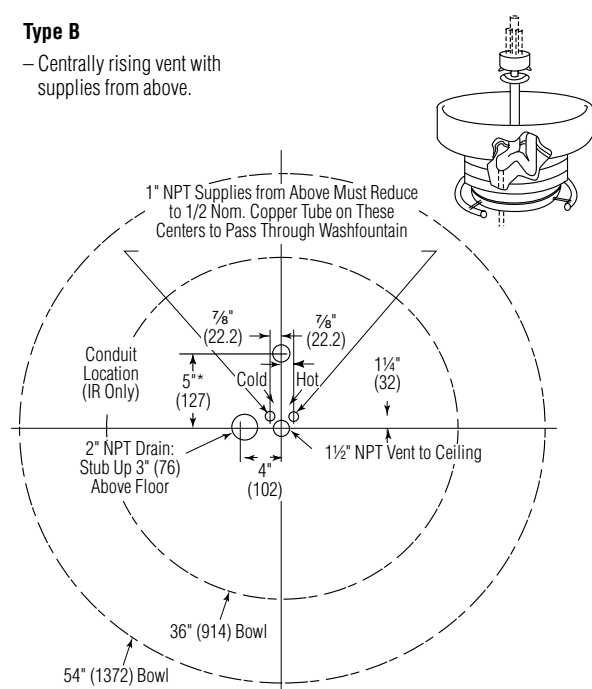
### Type A

– Off-line vent with supplies from below.



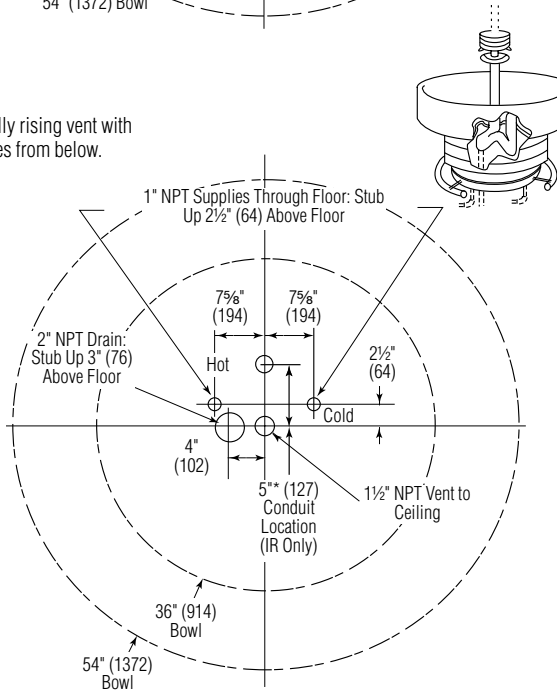
### Type B

– Centrally rising vent with supplies from above.



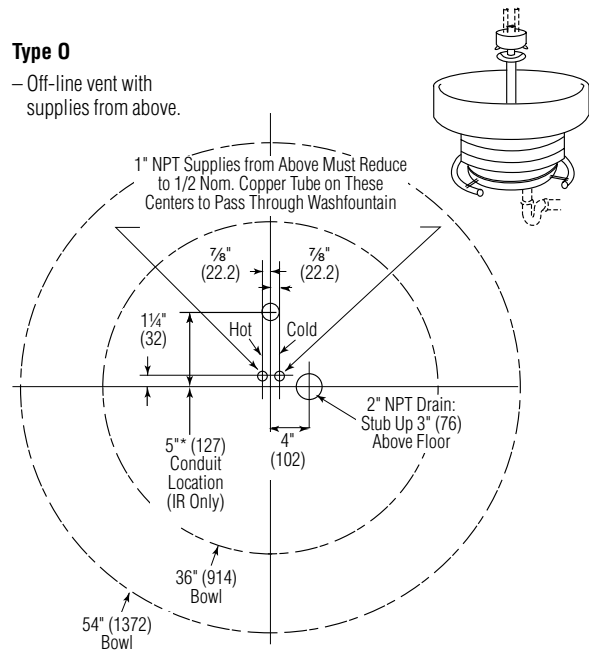
### Type H

– Centrally rising vent with supplies from below.



### Type O

– Off-line vent with supplies from above.



\* Remote mounting of plug-in adapter with 120 VAC electrical supply to wash fountain is recommended. See local electrical codes before roughing in. (This conduit location is only a recommendation.)