



BRADFORD WHITE[®]
W A T E R H E A T E R S

**Residential & Light Duty Commercial Gas
Replacement Parts List
High-Input Direct Vent Models**



Models Covered:
RG2DV40S*(N,X)
(-OLY,-FLX,-SLD)(-500,-600)
RG2DV50S*(N,X)
(-OLY,-FLX,-SLD)(-500,-600)
RG2DV50H*(N,X)
(-OLY,-FLX,-SLD)(-500,-600)
LG2DV50H50*(N,X)
(-OLY,-FLX,-SLD)
*Denotes warranty year

Includes Hydrojet[®]
Total Performance System

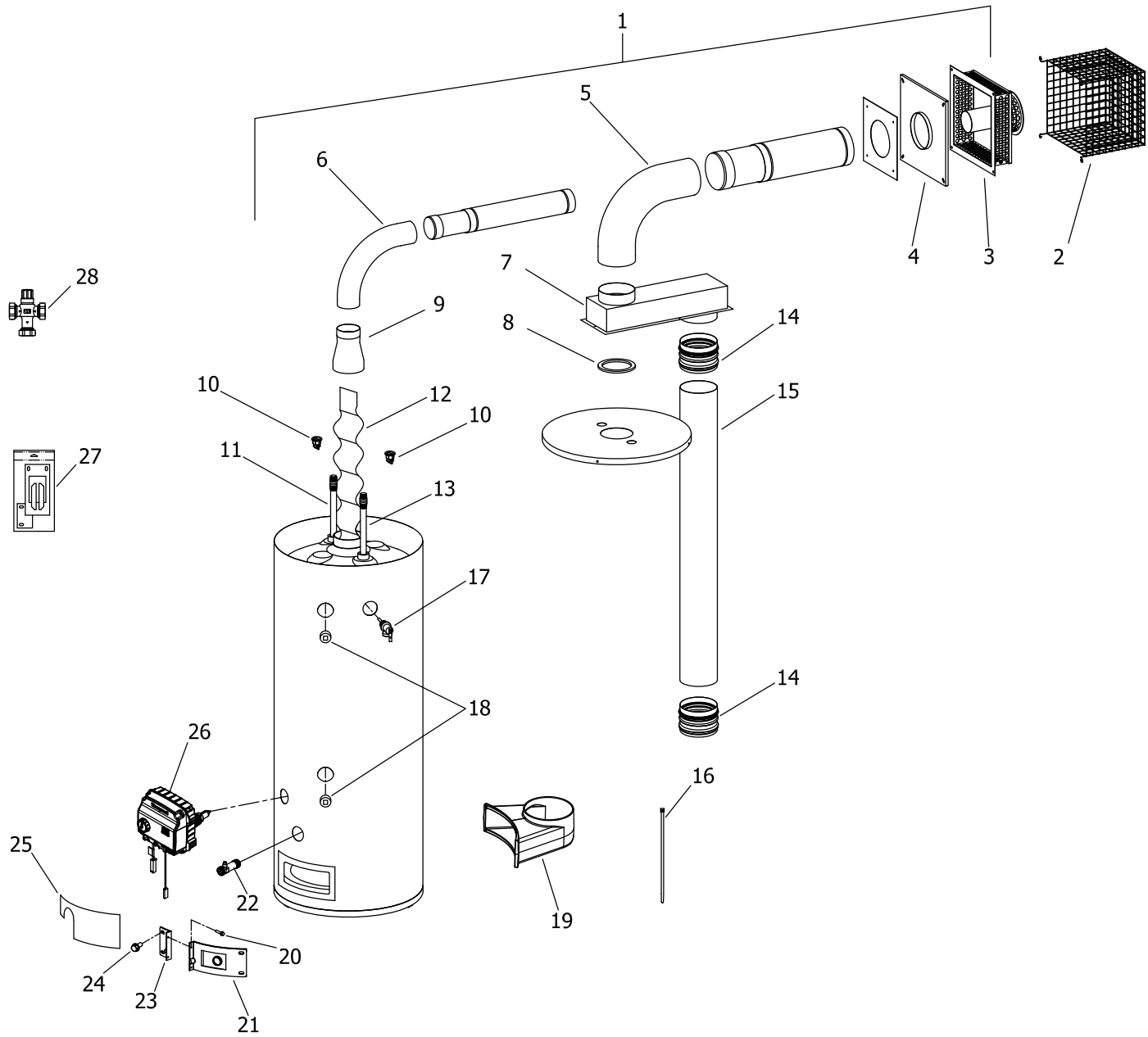
Effective: January, 2023
ECO 8248-3

**NOTE: BOTH MODEL AND SERIAL
NUMBERS ARE REQUIRED FOR
ORDERING REPLACEMENT PARTS**

Dimensions and specifications
subject to change without notice.

WARNING
CANCER AND REPRODUCTIVE HARM
WWW.P65WARNINGS.CA.GOV

As required by the state of California Proposition 65.



Item	Description	Model	Model	Model	Model
		RG2DV40S*(N,X) (-OLY,-FLX,-SLD)	RG2DV50S*(N,X) (-OLY,-FLX,-SLD)	RG2DV50H*(N,X) (-OLY,-FLX,-SLD)	LG2DV50H50*(N,X) (-OLY,-FLX,-SLD)
1	Aluminum Venting (Solid)	415-51283-00	415-51283-00	415-51286-00	415-51286-00
	Aluminum Venting (Flexible)	415-51284-00	415-51284-00	415-51287-00	415-51287-00
2	Direct Vent-Air Intake Terminal Guard (Optional)	415-41453-00	415-41453-00	415-41453-00	415-41453-00
3	Direct Vent-Air Intake Terminal (Flexible & Solid)	415-41425-00	415-41425-00	239-42274-00	239-42274-00
4	Outer Wall Mounting Plate (Flexible & Solid)	415-41431-00	415-41431-00	239-42447-00	239-42447-00
5	6" Diameter Elbow (Solid Only)	---	---	239-42067-00	239-42067-00
	5" Diameter Elbow (Solid Only)	239-41007-00	239-41007-00	---	---
6	4" Diameter Elbow (Solid Only)	---	---	239-42068-00	239-42068-00
	3" Diameter Elbow (Solid Only)	239-41008-00	239-41008-00	---	---
7	Plenum	239-47663-00	239-47663-00	239-47668-01	239-47668-01
8	Plenum Gasket	239-41070-01	239-41070-01	239-41070-02	239-41070-02
9	Flue Reducer	239-41009-00	239-41009-00	239-42066-00	239-42066-00
10	Heat Trap Insert (Outlet & Inlet) Kit	265-51572-00	265-51572-00	265-51572-00	265-51572-00
11	Hot Water Outlet Anode (Magnesium)▲ #	415-47776-19	415-47776-19	415-47776-19	415-47776-19
	Hot Water Outlet Anode (Aluminum)▲ #	415-32999-42	415-32999-42	415-32999-42	415-32999-42
	Hot Water Outlet Anode (A420 Aluminum)▲ #	415-49560-10	415-49560-10	415-49560-10	415-49560-10
12	Flue Baffle	243-47511-00	243-51013-00	243-50921-00	243-50921-00
13	Cold Water Inlet Dip Tube (PEX)▲▲	415-51230-25	229-51230-26	415-51230-20	415-51230-25
14	Coupler (2 Required) ◆	239-50102-00	239-50102-00	239-50102-00	239-50102-00
15	Air Intake Tube	239-50099-05	239-50099-06	239-50099-06	239-50099-06
16	Wire Tie	239-44328-00	239-44328-00	239-44328-00	239-44328-00
17	T&P Relief Valve	415-40594-02	415-40594-02	415-40594-02	415-40594-02
18	3/4 NPT Plug	---	---	239-11638-00	239-11638-00
19	Air Intake Boot w/ Gasket	239-47771-18	239-47771-18	239-47771-18	239-47771-18
20	Screw-8-15 X 3/4 INHXWS Slot	239-44195-00	239-44195-00	239-44195-00	239-44195-00
21	Right Side Inner Door w/ Gasket	239-45642-18	239-45642-18	239-45642-18	239-45642-18
22	Brass Drain Valve	415-42351-02	415-42351-02	415-42351-02	415-42351-02
23	Left Side Inner Door w/ Gasket	239-43968-18	239-43968-18	239-43968-18	239-43968-18
24	Screw-#10-12 x 3/4 HWH	239-52581-00	239-52581-00	239-52581-00	239-52581-00
25	Outer Door	243-43962-00	243-43962-00	243-43962-00	243-43962-00
26	Gas Control Direct Replacement Natural Gas	415-52907-02	415-52907-02	415-52907-02	415-52908-02
	Gas Control Direct Replacement LP Gas	415-52909-02	415-52909-02	415-52909-02	415-52910-02
27	Inner Door Gasket Kit	239-49987-00	239-49987-00	239-49987-00	239-49987-00
28	ASSE Approved Mixing Valve (Optional)	239-51778-00	239-51778-00	239-51778-00	239-51778-00

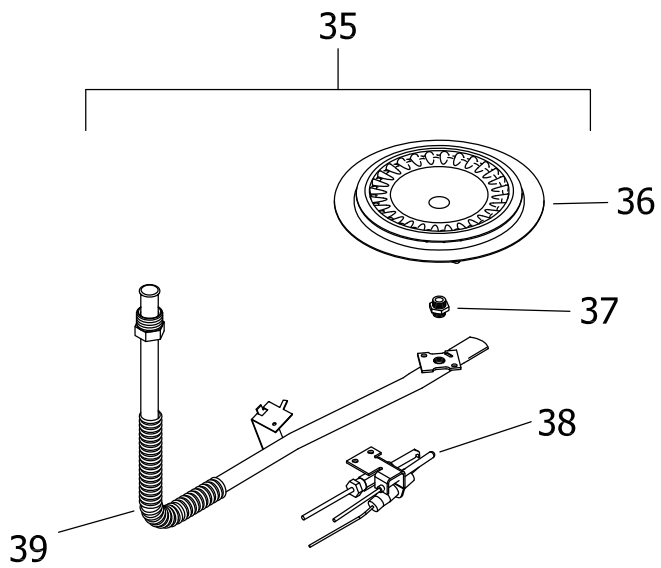
* Applies to all warranties

Anode may need to be cut to length

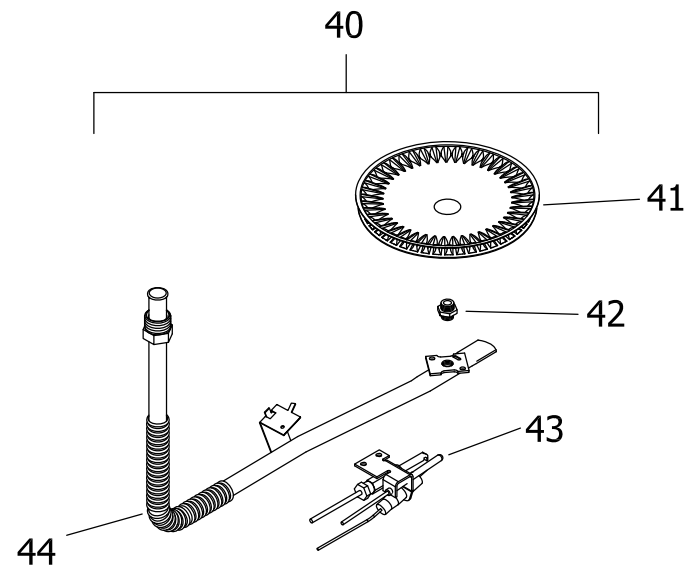
◆ Air intake tube (item #15) should be purchased with coupler (item #14).

▲ Order with item #10

▲▲ Order with item #13



NATURAL GAS (N) BURNER ASSEMBLY



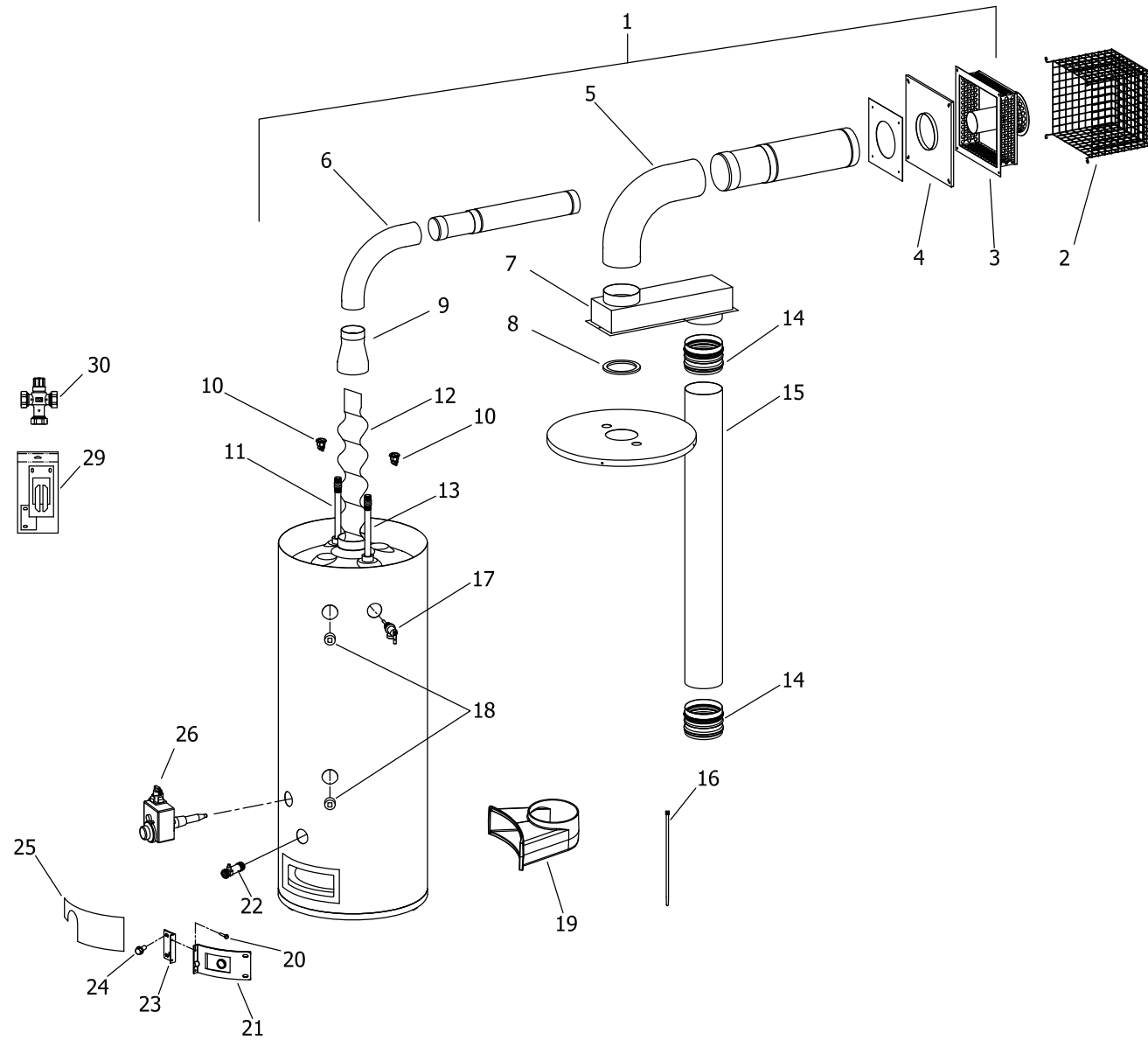
LP GAS (X) BURNER ASSEMBLY

Item	Description	Model RG2DV40S*(N,X) (-OLY,-FLX,-SLD)	Model RG2DV50S*(N,X) (-OLY,-FLX,-SLD)	Model RG2DV50H*(N,X) (-OLY,-FLX,-SLD)	Model LG2DV50H50*(N,X) (-OLY,-FLX,-SLD)
<u>Natural Gas (N) Burner Assembly</u>					
35	Nat. Gas Burner Assembly Complete***	265-48110-06-33	265-48110-06-32	265-48110-06-31	265-48110-06-31
36	Nat. Gas BN Burner**	228-42506-00	228-42506-00	228-42506-00	228-42506-00
37	Nat. Gas (N) Main Burner Orifice 0 Ft. to 2,000 Ft. **	234-41034-33	234-41034-32	234-41034-31	234-41034-31
	Nat. Gas (N) High Altitude Orifice 2,001 Ft. to 7,000 Ft. (-475 model suffixes) **	234-41034-38	234-41034-36	234-41034-35	234-41034-35
	Nat. Gas (N) High Altitude Orifice Kit 7,001 Ft. to 10,000 Ft.	265-51311-02-41	265-51311-02-40	265-51311-02-38	265-51311-02-38
38	Nat. Gas Pilot Assembly	233-41062-03	233-41062-03	233-41062-03	233-41062-03
39	Nat. Gas Feedline	233-48095-05	233-48095-05	233-48095-05	233-48095-05
<u>LP Gas (X) Burner Assembly</u>					
40	LP Gas Burner Assembly Complete***	265-47440-28-50	265-47440-28-49	265-47440-29-47	265-47440-29-47
41	LP Gas (X) Burner**	228-46964-00	228-46964-00	228-47000-00	228-47000-00
42	LP Gas (X) Main Burner Orifice 0 Ft. to 2,000 Ft. **	234-47064-50	234-47064-49	234-47064-47	234-47064-47
	LP Gas (X) High Altitude Orifice 2,001 Ft. to 7,000 ft. (-475 model suffixes) **	234-47064-52	234-47064-51	234-47064-50	234-47064-50
	LP Gas (X) High Altitude Orifice Kit 7,001 Ft. to 10,000 Ft. **	265-51367-02-53	265-51367-02-53	265-51367-02-51	265-51367-02-51
43	LP Gas Pilot Assembly**	233-48078-01	233-48078-01	233-48078-01	233-48078-01
44	LP Gas Feedline	233-47677-05	233-47677-05	233-47677-05	233-47677-05
	LP Gas (X) to Nat. Gas (N) Conversion Kit	265-47452-31	265-47452-33	265-47452-35	265-47452-37
	LP Gas (X) to Nat. Gas (N) Conversion Kit (Hi Alt. -475 model suffixes)	265-47452-32	265-47452-34	265-47452-36	265-47452-38

* Applies to all warranties

** Inner door gasket kit recommended

*** Ordering a complete burner assembly may increase delivery time. Please order the specific component required for the quickest delivery.



Item	Description	Model	Model	Model
		RG2DV40S*(N,X)(-500) (-OLY,-FLX,-SLD)	RG2DV50S*(N,X)(-500) (-OLY,-FLX,-SLD)	RG2DV50H*(N,X)(-500) (-OLY,-FLX,-SLD)
1	Aluminum Venting (Solid)	415-51283-00	415-51283-00	415-51286-00
	Aluminum Venting (Flexible)	415-51284-00	415-51284-00	415-51287-00
2	Direct Vent-Air Intake Terminal Guard (Optional)	415-41453-00	415-41453-00	415-41453-00
3	Direct Vent-Air Intake Terminal (Flexible & Solid)	415-41425-00	415-41425-00	239-42274-00
4	Outer Wall Mounting Plate (Flexible & Solid)	415-41431-00	415-41431-00	239-42447-00
5	6" Diameter Elbow (Solid Only)	---	---	239-42067-00
	5" Diameter Elbow (Solid Only)	239-41007-00	239-41007-00	---
6	4" Diameter Elbow (Solid Only)	---	---	239-42068-00
	3" Diameter Elbow (Solid Only)	239-41008-00	239-41008-00	---
7	Plenum	239-47663-00	239-47663-00	239-47668-01
8	Plenum Gasket	239-41070-01	239-41070-01	239-41070-02
9	Flue Reducer	239-41009-00	239-41009-00	239-42066-00
10	Heat Trap Insert (Outlet & Inlet) Kit	265-51572-00	265-51572-00	265-51572-00
11	Hot Water Outlet Anode (Magnesium)▲ #	415-47776-19	415-47776-19	415-47776-19
	Hot Water Outlet Anode (Aluminum)▲ #	415-32999-42	415-32999-42	415-32999-42
	Hot Water Outlet Anode (A420 Aluminum)▲ #	415-49560-10	415-49560-10	415-49560-10
12	Flue Baffle	243-47511-00	243-51013-00	243-50921-00
13	Cold Water Inlet Dip Tube (PEX)▲▲	415-51230-25	229-51230-26	415-51230-20
14	Coupler (2 Required)◆	239-50102-00	239-50102-00	239-50102-00
15	Air Intake Tube	239-50099-05	239-50099-06	239-50099-06
16	Wire Tie	239-44328-00	239-44328-00	239-44328-00
17	T&P Relief Valve	415-40594-02	415-40594-02	415-40594-02
18	3/4 NPT Plug	---	---	239-11638-00
19	Air Intake Boot w/ Gasket	239-47771-18	239-47771-18	239-47771-18
20	Screw-8-15 X 3/4 INHXWS Slot	239-44195-00	239-44195-00	239-44195-00
21	Right Side Inner Door w/ Gasket	239-45642-18	239-45642-18	239-45642-18
22	Brass Drain Valve	415-42351-02	415-42351-02	415-42351-02
23	Left Side Inner Door w/ Gasket	239-43968-18	239-43968-18	239-43968-18
24	Screw-#10-12 x 3/4 HWH	239-52581-00	239-52581-00	239-52581-00
25	Outer Door	243-43962-00	243-43962-00	243-43962-00
26	Gas Control Natural Gas (White Rodgers)	265-40251-03	265-40251-03	265-40251-03
	Gas Control LP Gas (White Rodgers)	415-40258-03	415-40258-03	415-40258-03
27	Piezo Igniter	415-43448-00	415-43448-00	415-43448-00
28	Piezo Igniter Mounting Bracket	239-46157-02	239-46157-02	239-46157-02
29	Inner Door Gasket Kit	239-49987-00	239-49987-00	239-49987-00
30	ASSE Approved Mixing Valve (Optional)	239-51778-00	239-51778-00	239-51778-00

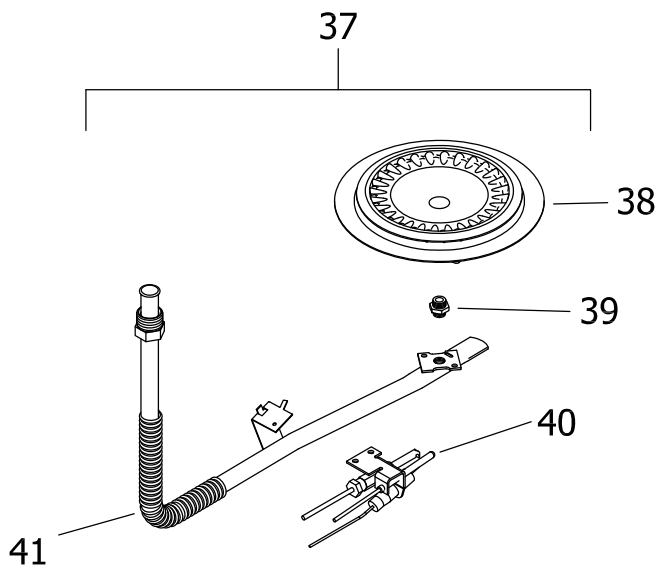
* Applies to all warranties

Anode may need to be cut to length

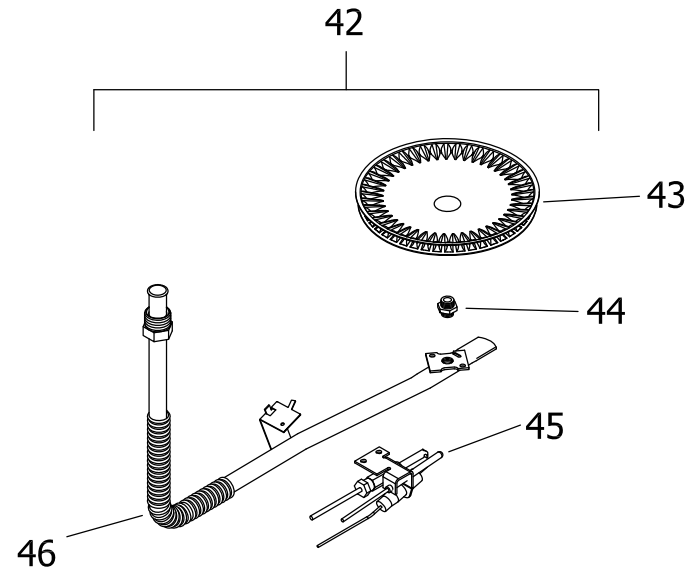
◆ Air intake tube (item #15) should be purchased with coupler (item #14).

▲ Order with item #10

▲▲ Order with item #13



NATURAL GAS (N) BURNER ASSEMBLY



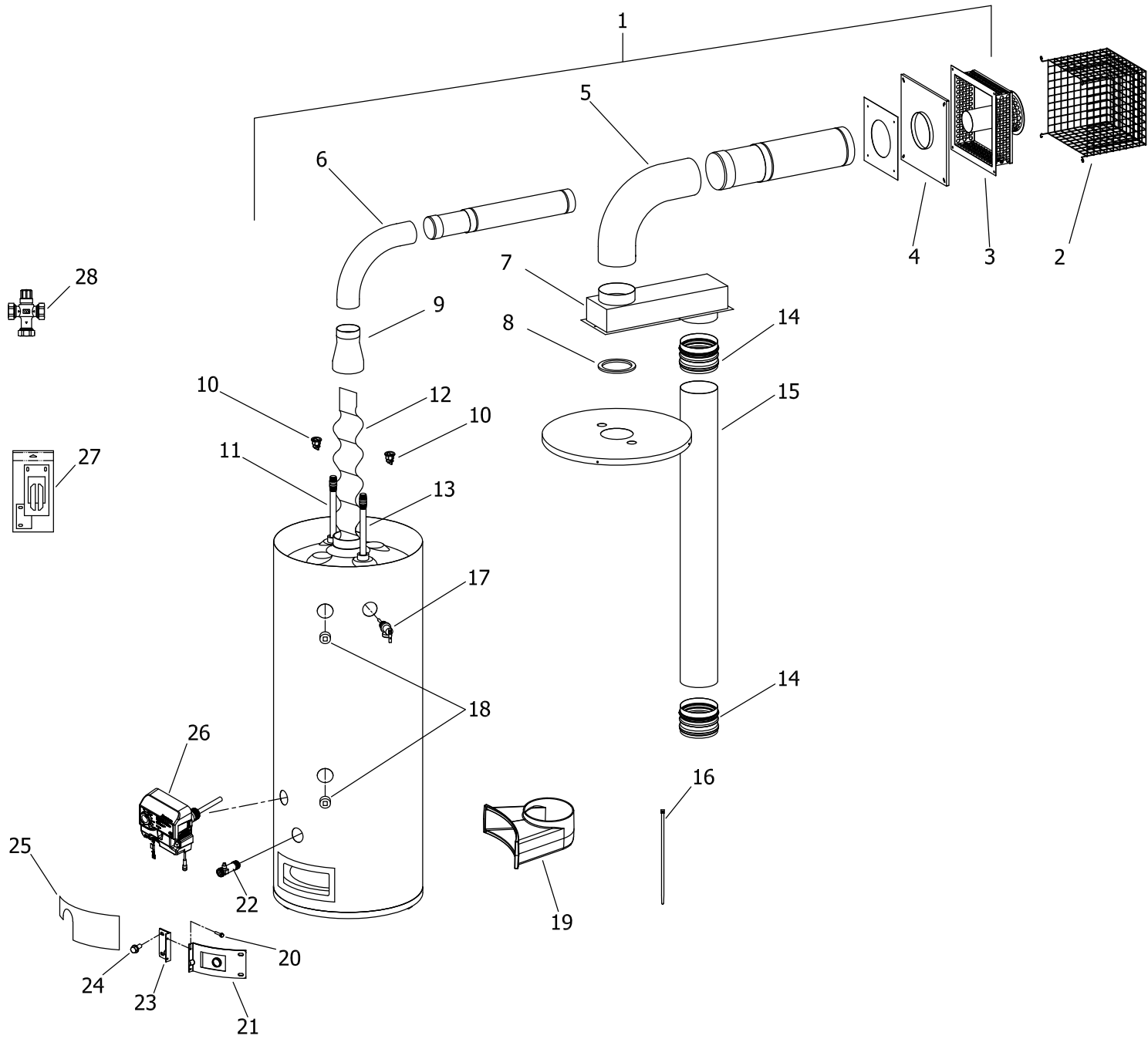
LP GAS (X) BURNER ASSEMBLY

Item	Description	Model	Model	Model
		RG2DV40S*(N,X)(-500) (-OLY,-FLX,-SLD)	RG2DV50S*(N,X)(-500) (-OLY,-FLX,-SLD)	RG2DV50H*(N,X)(-500) (-OLY,-FLX,-SLD)
Natural Gas (N) Burner Assembly				
37	Nat. Gas (N) Burner Assembly Complete***	265-48110-06-33	265-48110-06-32	265-48110-06-31
38	Nat. Gas (N) Burner**	228-42506-00	228-42506-00	228-42506-00
39	Nat. Gas (N) Main Burner Orifice 0 Ft. to 2,000 Ft.**	234-41034-33	234-41034-32	234-41034-31
40	Nat. Gas (N) Pilot Assembly**	233-41062-03	233-41062-03	233-46277-04
41	Nat. Gas Feedline	233-48095-02	233-48095-02	233-48095-05
LP Gas (X) Burner Assembly				
42	LP Gas (X) Burner Assembly Complete***	265-47440-28-50	265-47440-28-49	265-47440-29-47
43	LP Gas (X) Burner**	228-46964-00	228-46964-00	228-47000-00
44	LP Gas (X) Main Burner Orifice 0 Ft. to 2,000 Ft.**	234-47064-49	234-47064-49	234-47064-47
45	LP Gas (X) Pilot Assembly**	233-41063-03	233-41063-03	233-46278-04
46	LP Gas Feedline	233-47677-05	233-47677-05	233-47677-05

* Applies to all warranties

** Inner door gasket kit recommended

*** Ordering a complete burner assembly may increase delivery time. Please order the specific component required for the quickest delivery.



Item	Description	Model	Model	Model
		RG2DV40S*(N,X)(-600) (-OLY,-FLX,-SLD)	RG2DV50S*(N,X)(-600) (-OLY,-FLX,-SLD)	RG2DV50H*(N,X)(-600) (-OLY,-FLX,-SLD)
1	Aluminum Venting (Solid)	415-51283-00	415-51283-00	415-51286-00
	Aluminum Venting (Flexible)	415-51284-00	415-51284-00	415-51287-00
2	Direct Vent-Air Intake Terminal Guard (Optional)	415-41453-00	415-41453-00	415-41453-00
3	Direct Vent-Air Intake Terminal (Flexible & Solid)	415-41425-00	415-41425-00	239-42274-00
4	Outer Wall Mounting Plate (Flexible & Solid)	415-41431-00	415-41431-00	239-42447-00
5	6" Diameter Elbow (Solid Only)	---	---	239-42067-00
	5" Diameter Elbow (Solid Only)	239-41007-00	239-41007-00	---
6	4" Diameter Elbow (Solid Only)	---	---	239-42068-00
	3" Diameter Elbow (Solid Only)	239-41008-00	239-41008-00	---
7	Plenum	239-47663-00	239-47663-00	239-47668-01
8	Plenum Gasket	239-41070-01	239-41070-01	239-41070-02
9	Flue Reducer	239-41009-00	239-41009-00	239-42066-00
10	Heat Trap Insert (Outlet & Inlet) Kit	265-51572-00	265-51572-00	265-51572-00
11	Hot Water Outlet Anode (Magnesium)▲ #	415-47776-19	415-47776-19	415-47776-19
	Hot Water Outlet Anode (Aluminum)▲ #	415-32999-42	415-32999-42	415-32999-42
	Hot Water Outlet Anode (A420 Aluminum)▲ #	415-49560-10	415-49560-10	415-49560-10
12	Flue Baffle	243-47511-00	243-51013-00	243-50921-00
13	Cold Water Inlet Dip Tube (PEX)▲▲	415-51230-25	229-51230-26	415-51230-20
14	Coupler (2 Required)◆	239-50102-00	239-50102-00	239-50102-00
15	Air Intake Tube	239-50099-05	239-50099-06	239-50099-06
16	Wire Tie	239-44328-00	239-44328-00	239-44328-00
17	T&P Relief Valve	415-40594-02	415-40594-02	415-40594-02
18	3/4 NPT Plug	---	---	239-11638-00
19	Air Intake Boot w/ Gasket	239-47771-18	239-47771-18	239-47771-18
20	Screw-8-15 X 3/4 INHXWS Slot	239-44195-00	239-44195-00	239-44195-00
21	Right Side Inner Door w/ Gasket	239-45642-18	239-45642-18	239-45642-18
22	Brass Drain Valve	415-42351-02	415-42351-02	415-42351-02
23	Left Side Inner Door w/ Gasket	239-43968-18	239-43968-18	239-43968-18
24	Screw-#10-12 x 3/4 HWH	239-52581-00	239-52581-00	239-52581-00
25	Outer Door	243-43962-00	243-43962-00	243-43962-00
26	Gas Control Direct Replacement Natural Gas	415-52944-02	415-52944-02	415-52944-02
	Gas Control Direct Replacement LP Gas	415-52945-02	415-52945-02	415-52945-02
27	Inner Door Gasket Kit	239-49987-00	239-49987-00	239-49987-00
28	ASSE Approved Mixing Valve (Optional)	239-51778-00	239-51778-00	239-51778-00

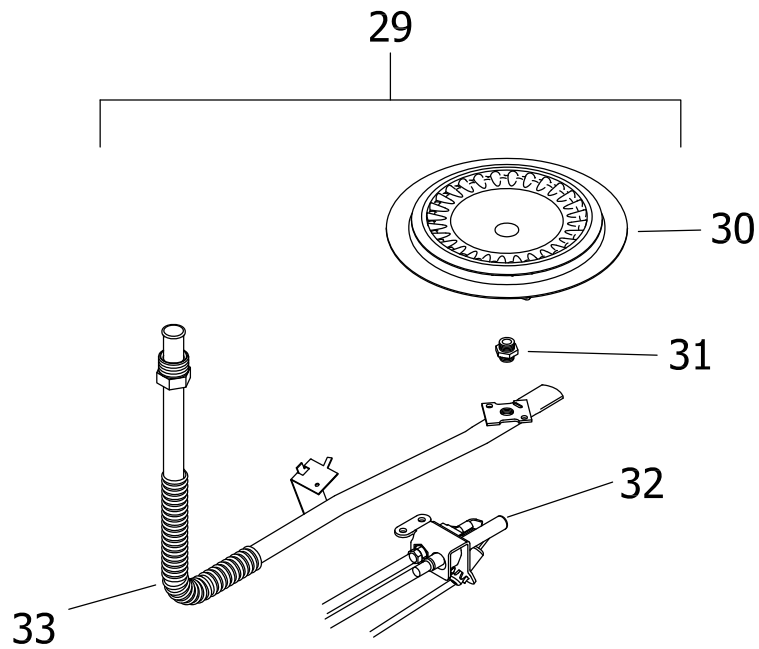
* Applies to all warranties

Anode may need to be cut to length

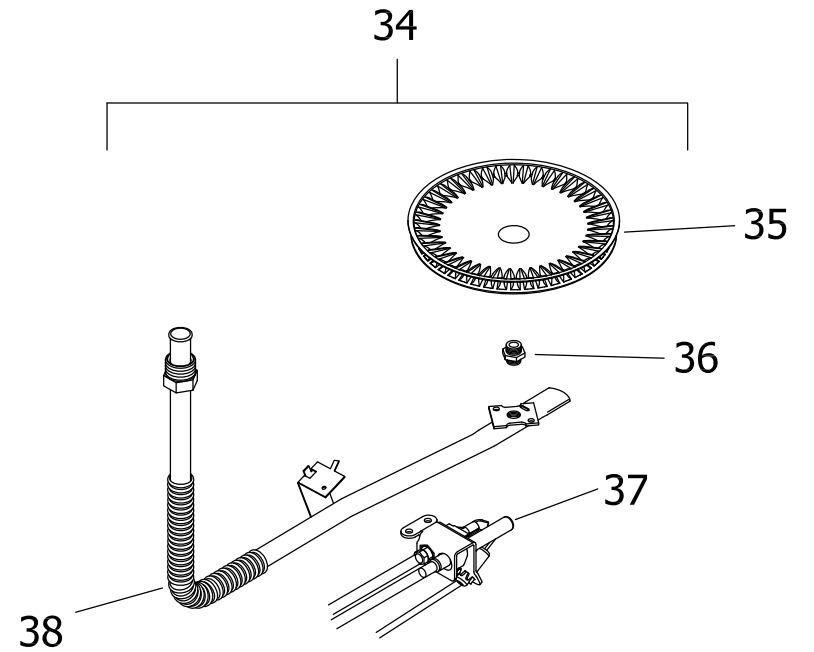
◆ Air intake tube (item #15) should be purchased with coupler (item #14).

▲ Order with item #10

▲▲ Order with item #13



NATURAL GAS (N) BURNER ASSEMBLY



LP GAS (X) BURNER ASSEMBLY

Item	Description	Model	Model	Model
		RG2DV40S*(N,X)(-600) (-OLY,-FLX,-SLD)	RG2DV50S*(N,X)(-600) (-OLY,-FLX,-SLD)	RG2DV50H*(N,X)(-600) (-OLY,-FLX,-SLD)
<u>Natural Gas (N) Burner Assembly</u>				
35	Nat. Gas Burner Assembly Complete***	265-53644-04	265-53644-04	265-53644-04
36	Nat. Gas BN Burner**	228-42506-00	228-42506-00	228-42506-00
37	Nat. Gas (N) Main Burner Orifice 0 Ft. to 2,000 Ft. **	234-41034-33	234-41034-32	234-41034-31
	Nat. Gas (N) High Altitude Orifice 2,001 Ft. to 7,000 Ft. (-475 model suffixes) **	234-41034-38	234-41034-36	234-41034-35
	Nat. Gas (N) High Altitude Orifice Kit 7,001 Ft. to 10,000 Ft.	265-51311-02-41	265-51311-02-40	265-51311-02-38
38	Nat. Gas Pilot Assembly	415-53604-01	415-53604-01	415-53604-01
39	Nat. Gas Feedline	233-48095-05	233-48095-05	233-48095-05
<u>LP Gas (X) Burner Assembly</u>				
40	LP Gas Burner Assembly Complete***	265-53639-02	265-53639-02	265-53641-04
41	LP Gas (X) Burner**	228-46964-00	228-46964-00	228-47000-00
42	LP Gas (X) Main Burner Orifice 0 Ft. to 2,000 Ft. **	234-47064-50	234-47064-49	234-47064-47
	LP Gas (X) High Altitude Orifice 2,001 Ft. to 7,000 ft. (-475 model suffixes) **	234-47064-52	234-47064-51	234-47064-50
	LP Gas (X) High Altitude Orifice Kit 7,001 Ft. to 10,000 Ft. **	265-51367-02-53	265-51367-02-53	265-51367-02-51
43	LP Gas Pilot Assembly**	415-53605-01	415-53605-01	415-53605-01
44	LP Gas Feedline	233-47677-05	233-47677-05	233-47677-05
	LP Gas (X) to Nat. Gas (N) Conversion Kit	265-53632-26	265-53632-28	265-53632-30
	LP Gas (X) to Nat. Gas (N) Conversion Kit (Hi Alt. -475 model suffixes)	265-53632-27	265-53632-29	265-53632-31

* Applies to all warranties

** Inner door gasket kit recommended

*** Ordering a complete burner assembly may increase delivery time. Please order the specific component required for the quickest delivery.

SOLID VENT KITS

		Horizontal "X"				
		16 1/4 17 3/16	18 20 11/16	25 1/4 35 3/16	37 3/4 57 7/8	61 5/16 107 5/16
Vertical "Y"	11 9/16	order kit F 239-42516-00	order kit G 415-42517-00	no add'l kit req'd	order kit H 239-42514-00	order kit I 239-42512-00
	16 5/16 17 1/4	order kit F * (2) 239-42516-00	order kit F & G 239-42516-00 415-42517-00	order kit F 239-42516-00	order kit F & H 239-42516-00 239-42514-00	order kit F & I 239-42516-00 239-42512-00
	18 1/16 20 3/4	order kit F & G 239-42516-00 415-42517-00	order kit G * (2) 415-42517-00	order kit G 415-42517-00	order kit G & H 415-42517-00 239-42514-00	order kit G & I 415-42517-00 239-42512-00
	25 5/16 35 1/4	order kit F 239-42516-00	order kit G 415-42517-00	order kit H 239-42514-00	order kit H * (2) 239-42514-00	order kit I 239-42512-00
	38 1/16 57 15/16	order kit F & H 239-42516-00 239-42514-00	order kit G & H 415-42517-00 239-42514-00	order kit H * (2) 239-42514-00	order kit H * (3) 239-42514-00	order kit H & I 239-42514-00 239-42512-00
	61 3/8 107 3/8	order kit F & I 239-42516-00 239-42512-00	order kit G & I 415-42517-00 239-42512-00	order kit I 239-42512-00	order kit H & I 239-42514-00 239-42512-00	order kit I * (2) 239-42512-00

*(2) = Order two kits

*(3) = Order three kits

FLEXIBLE VENT KITS

Vertical Vent Height + Horizontal Vent Length	Kit Part Number
Less than 100 inches	415-48915-00
More than 100 inches	N/A*

*Do not attempt to use flexible vent hose at a distance greater than 100 inches.



United States

Sales 800-523-2931

Technical Support 800-334-3393

Email techserv@bradfordwhite.com

Warranty 800-531-2111

Email warranty@bradfordwhite.com

Service Parts 800-538-2020

Email parts@bradfordwhite.com

Canada

Sales & Technical Support 866-690-0961 905-203-0600

Fax 905-636-0666

Warranty bwccwarranty@bradfordwhite.com

Technical Support bwccotech@bradfordwhite.com

Service Parts orders@bradfordwhitecanada.com

Orders ca.orders@bradfordwhite.com

For U.S. and Canada field service,
contact your professional installer or
local Bradford White sales representative.

International

General Contact international@bradfordwhite.com