



**BRADFORD WHITE**<sup>®</sup>  
W A T E R   H E A T E R S

**RESIDENTIAL GAS REPLACEMENT PARTS LIST**  
**ATMOSPHERIC VENT Gas Water Heater**



**Models Covered:**

**RG1(30,40,50)T\*(N,X)(-500,-600)**

**RG2(30,40,50)S\*(N,X)(-500,-600)**

**RG2(30,40,50)T\*(N,X)(-500,-600)**

**RG250L\*(N,X)(-500,-600)**

**RG250R\*(N,X)(-500)**

**\*Denotes warranty year**

Includes Hydrojet<sup>®</sup>  
Total Performance System

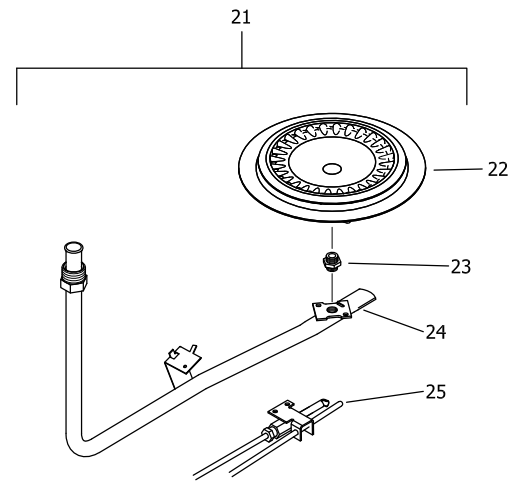
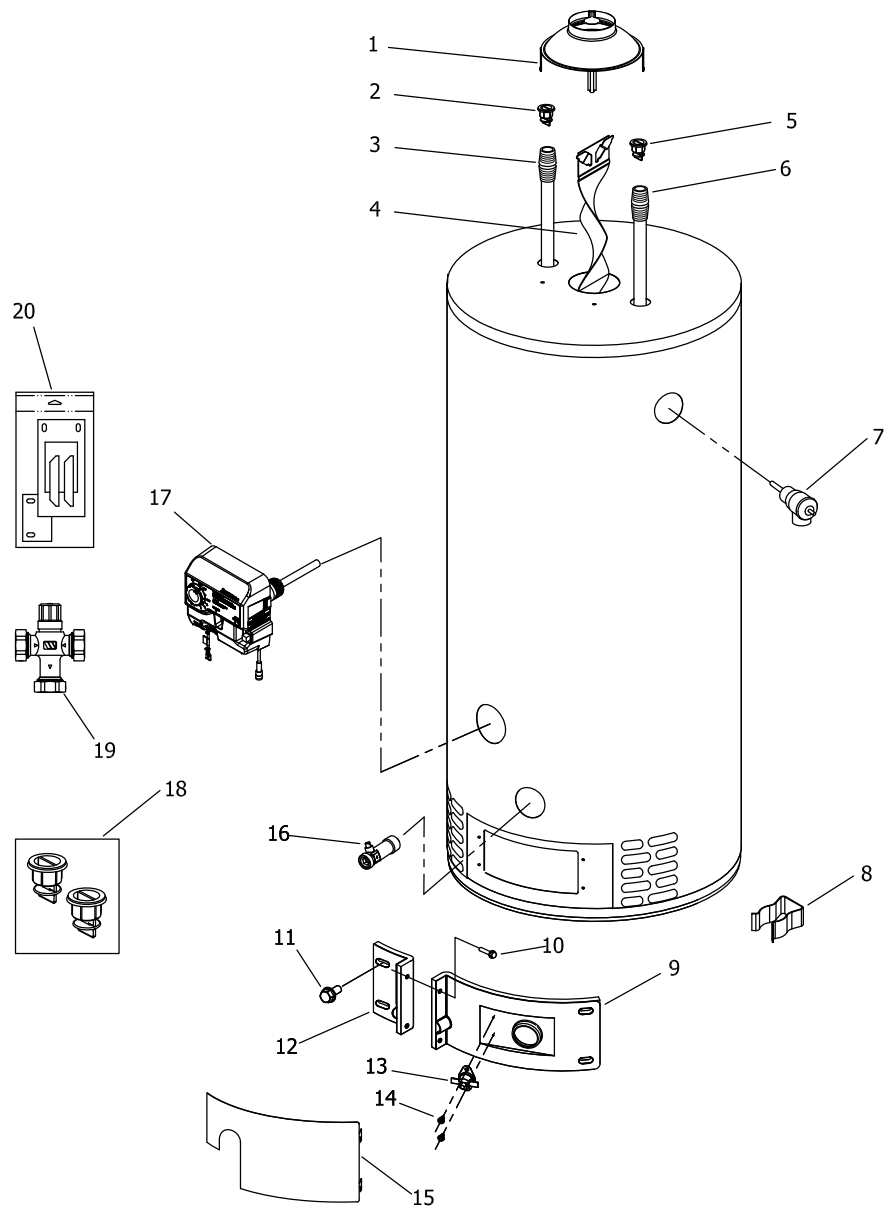
***Effective: November, 2023***  
***ECO 8697***

**NOTE: BOTH MODEL AND SERIAL  
NUMBERS ARE REQUIRED FOR  
ORDERING REPLACEMENT PARTS**

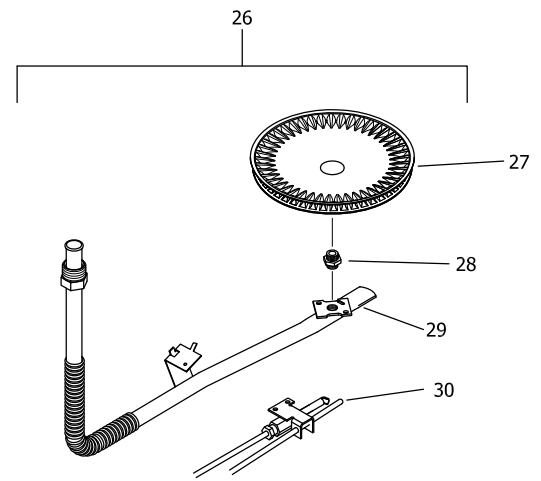
Dimensions and specifications  
subject to change without notice.

**WARNING**  
**CANCER AND REPRODUCTIVE HARM**  
**WWW.P65WARNINGS.CA.GOV**

As required by the state of California Proposition 65.



NATURAL GAS BURNER ASSEMBLY



LP GAS BURNER ASSEMBLY

Item	Description	Model	Model	Model
		RG130T*(N,X)	RG140T*(N,X)	RG150T*(N,X)
1	Draft Diverter	239-45787-00	239-45787-00	239-45787-00
2	Heat Trap Insert (Outlet)	415-45167-00	415-45167-00	415-45167-00
3	Hot Water Outlet Anode (Magnesium)▲#	415-47776-19	415-47776-19	415-47776-19
	Hot Water Outlet (Aluminum)▲#	415-32999-42	415-32999-42	415-32999-42
	Hot Water Outlet (A420 Aluminum)▲#	415-49560-10	415-49560-10	415-49560-10
4	Flue Baffle	243-51480-00	243-54463-00	243-54463-00
5	Heat Trap Insert (Inlet)	415-51556-00	415-51556-00	415-51556-00
6	Cold Water Inlet Dip Tube (PEX)▲▲	415-51230-19	415-51230-21	415-51230-18
7	T&P Relief Valve	415-40594-02	415-40594-02	415-40594-02
8	Feedline Clip	239-47475-00	239-47475-00	239-47475-00
9	Right Side Inner Door Complete	239-43963-01	239-43963-04	239-43963-06
10	Screw-#8-18 x 3/4 HWH	239-44195-00	239-44195-00	239-44195-00
11	Screw-#10-12 x 3/4 HWH	239-52581-00	239-52581-00	239-52581-00
12	Left Side Inner Door Complete	239-43968-14	239-43968-16	239-43968-18
13	Resettable Thermal Switch	415-43676-02	415-43676-02	415-43676-01
14	Screw-#6-20 x 3/8 PHCR	239-43967-00	239-43967-00	239-43967-00
15	Outer Door	239-43962-00	239-43962-00	239-43962-00
16	Brass Drain Valve	415-42351-02	415-42351-02	415-42351-02
17	Gas Control Direct Replacement (Nat. Gas)**	415-52907-01	415-52907-01	415-52907-01
	Gas Control Direct Replacement (LP Gas)**	415-52909-01	415-52909-01	415-52909-01
	Gas Control Universal Replacement (Nat. Gas)	415-53359-00	415-53359-00	415-53359-00
	Gas Control Universal Replacement (LP Gas)	415-53360-00	415-53360-00	415-53360-00
18	Kit-Heat Trap Insert	265-51572-00	265-51572-00	265-51572-00
19	ASSE Approved Mixing Valve (Optional)	239-51778-00	239-51778-00	239-51778-00
20	Inner Door Gasket Kit	239-44078-00	239-44078-00	239-44078-00
<b>Natural Gas Burner Assembly</b>				
21	Nat Gas Burner Assembly Complete*** **	265-51668-01-39	265-51668-02-35	265-47439-03-35
22	Nat. Gas Burner**	228-42506-00	228-42506-00	228-42506-00
23	Nat. Gas Main Burner Orifice** (0Ft. to 2,000Ft.)	234-41034-39	234-41034-35	234-41034-35
	Nat. Gas High Altitude Orifice 2,001Ft. to 7,000Ft. (-475 model suffixes)**	234-41034-43	234-41034-39	234-41034-39
	Nat. Gas High Altitude Kit 7,001Ft. to 10,000Ft.	234-41034-44	234-41034-42	234-41034-42
24	Feedline	233-48094-01	233-48094-02	233-48094-03
25	Nat. Gas Pilot Assembly**	415-47845-05	415-47845-05	415-47845-05
	Nat. Gas Pilot Assembly 2,001Ft. to 7,000Ft.(-475 model suffixes)**	415-47845-05	415-47845-05	415-47845-05
<b>LP Gas Burner Assembly</b>				
26	LP Gas Burner Assembly Complete*** **	265-47440-05-53	265-48038-02-51	265-48038-03-51
27	LP Gas Burner**	228-46964-00	228-46964-00	228-46964-00
28	LP Gas Main Burner Orifice**	234-47064-53	234-47064-51	234-47064-51
	LP Gas High Altitude Orifice 2,001 Ft. to 7,000 Ft. (-475 model suffixes)**	234-47064-54	234-47064-53	234-47064-53
	LP Gas High Altitude Orifice 7,001 Ft. to 10,000 Ft.**	---	234-47064-54	234-47064-54
29	Feedline	233-47108-01	233-47108-02	233-47108-03
30	LP Gas Pilot Assembly**	415-47846-05	415-47846-05	415-47846-05
	LP to Nat. Gas Conversion Kit	265-53403-19	265-53403-21	265-53745-84
	LP to Nat. Gas High Altitude Conversion Kit (-475 model suffixes)**	265-53403-20	265-53403-22	265-53745-85

\* Applies to all warranties

\*\* Inner door gasket kit recommended

\*\*\* Ordering a complete burner assembly may increase delivery time. Please order the specific component required for the quickest delivery.

▲ Order with item 2

▲▲ Order with item 5

# Anode may need to be cut to length



Item	Description	Model	Model	Model
		RG130T*(N,X)-600	RG140T*(N,X)-600	RG150T*(N,X)-600
1	Draft Diverter	239-45787-00	239-45787-00	239-45787-00
2	Heat Trap Insert (Outlet)	415-45167-00	415-45167-00	415-45167-00
3	Hot Water Outlet Anode (Magnesium)▲#	415-47776-19	415-47776-19	415-47776-19
	Hot Water Outlet (Aluminum)▲#	415-32999-42	415-32999-42	415-32999-42
	Hot Water Outlet (A420 Aluminum)▲#	415-49560-10	415-49560-10	415-49560-10
4	Flue Baffle	243-51480-00	243-54463-00	243-54463-00
5	Heat Trap Insert (Inlet)	415-51556-00	415-51556-00	415-51556-00
6	Cold Water Inlet Dip Tube (PEX)▲▲	415-51230-19	415-51230-21	415-51230-18
7	T&P Relief Valve	415-40594-02	415-40594-02	415-40594-02
8	Feedline Clip	239-47475-00	239-47475-00	239-47475-00
9	Right Side Inner Door Complete	239-43963-01	239-43963-04	239-43963-06
10	Screw-#8-18 x 3/4 HWH	239-44195-00	239-44195-00	239-44195-00
11	Screw-#10-12 x 3/4 HWH	239-52581-00	239-52581-00	239-52581-00
12	Left Side Inner Door Complete	239-43968-14	239-43968-16	239-43968-18
13	Resettable Thermal Switch	415-43676-02	415-43676-02	415-43676-01
14	Screw-#6-20 x 3/8 PHCR	239-43967-00	239-43967-00	239-43967-00
15	Outer Door	239-43962-00	239-43962-00	239-43962-00
16	Brass Drain Valve	415-42351-02	415-42351-02	415-42351-02
17	Gas Control Direct Replacement (Nat. Gas)**	415-52944-01	415-52944-01	415-52944-01
	Gas Control Direct Replacement (LP Gas)**	415-52945-01	415-52945-01	415-52945-01
18	Kit-Heat Trap Insert	265-51572-00	265-51572-00	265-51572-00
19	ASSE Approved Mixing Valve (Optional)	239-51778-00	239-51778-00	239-51778-00
20	Inner Door Gasket Kit	239-44078-00	239-44078-00	239-44078-00
<b>Natural Gas Burner Assembly</b>				
21	Nat Gas Burner Assembly Complete*** **	265-53623-01-39	265-53623-02-34	265-53623-03-35
22	Nat. Gas Burner**	228-42506-00	228-42506-00	228-42506-00
23	Nat. Gas Main Burner Orifice** (0Ft. to 2,000Ft.)	234-41034-39	234-41034-35	234-41034-35
	Nat. Gas High Altitude Orifice 2,001Ft. to 7,000Ft. (-475 model suffixes)**	234-41034-43	234-41034-39	234-41034-39
	Nat. Gas High Altitude Kit 7,001Ft. to 10,000Ft.	234-41034-44	234-41034-42	234-41034-42
24	Feedline	233-48094-01	233-48094-02	233-48094-03
25	Nat. Gas Pilot Assembly**	233-52946-02	233-52946-02	233-52946-02
<b>LP Gas Burner Assembly</b>				
26	LP Gas Burner Assembly Complete*** **	265-53634-01-53	265-53634-02-51	265-53634-03-51
27	LP Gas Burner**	228-46964-00	228-46964-00	228-46964-00
28	LP Gas Main Burner Orifice**	234-47064-53	234-47064-51	234-47064-51
	LP Gas High Altitude Orifice 2,001 Ft. to 7,000 Ft. (-475 model suffixes)**	234-47064-54	234-47064-53	234-47064-53
	LP Gas High Altitude Orifice 7,001 Ft. to 10,000 Ft.**	---	234-47064-54	234-47064-54
29	Feedline	233-47108-01	233-47108-02	233-47108-03
30	LP Gas Pilot Assembly**	415-52947-05	415-52947-05	415-52947-05
	LP to Nat. Gas Conversion Kit	265-53632-01	265-53621-03	265-53632-52
	LP to Nat. Gas High Altitude Conversion Kit (-475 model suffixes)**	265-53632-02	265-53621-04	265-53632-51

\* Applies to all warranties

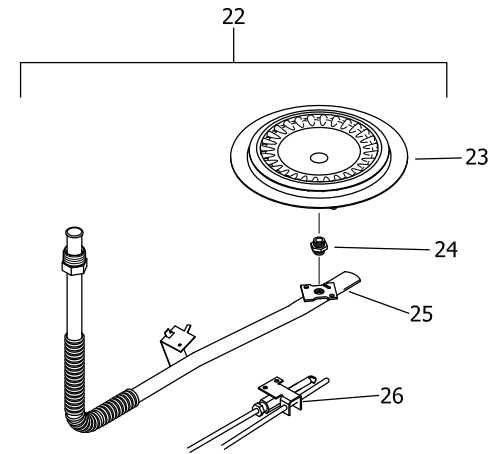
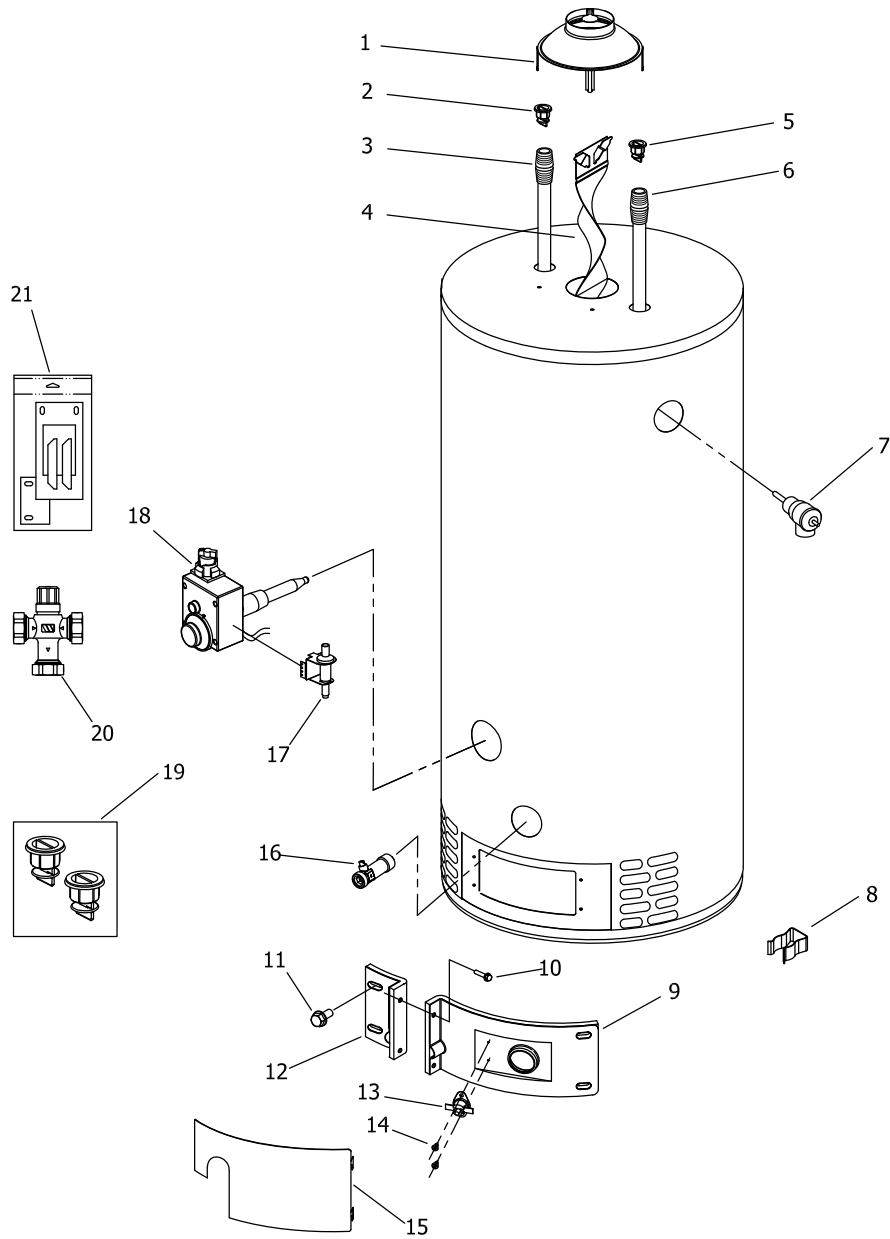
\*\* Inner door gasket kit recommended

\*\*\* Ordering a complete burner assembly may increase delivery time. Please order the specific component required for the quickest delivery.

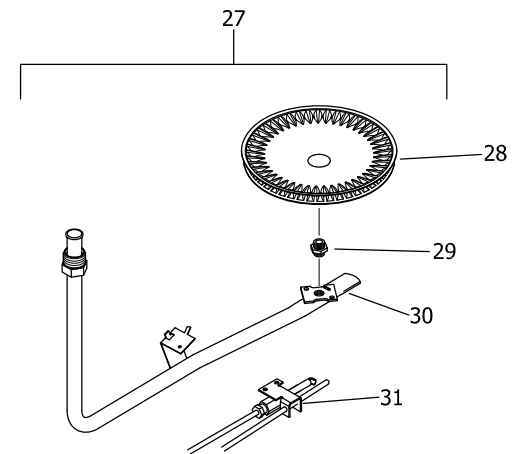
▲ Order with item 2

▲▲ Order with item 5

# Anode may need to be cut to length



NATURAL GAS (BN) BURNER ASSEMBLY

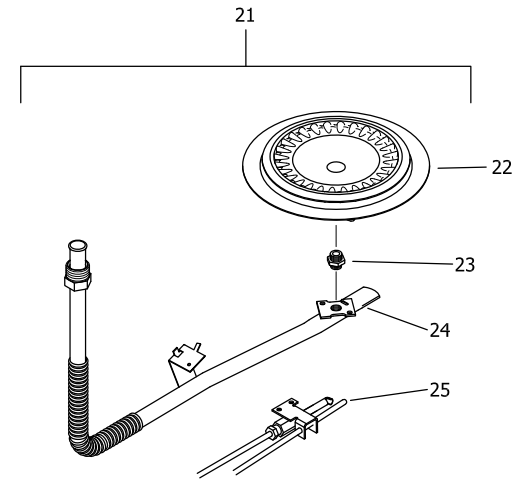
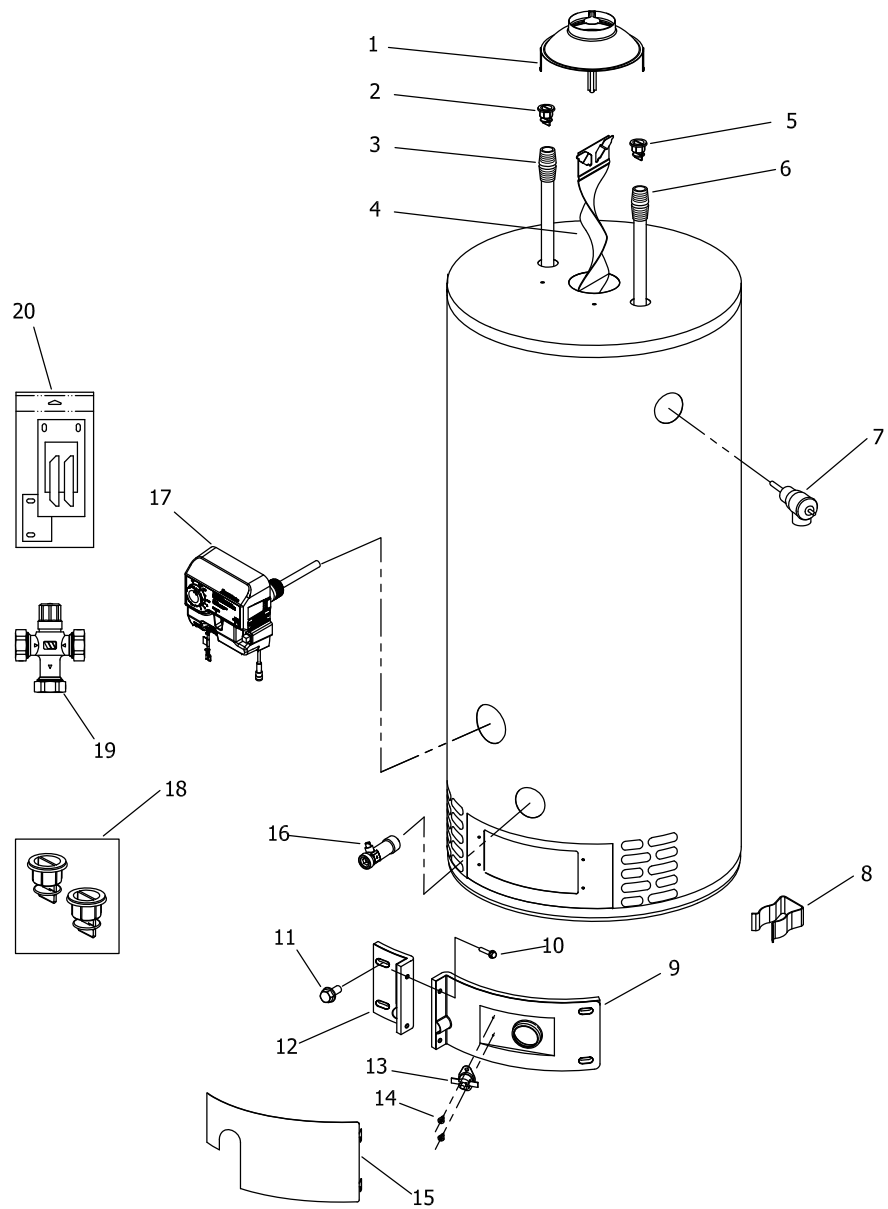


LP GAS (SX) BURNER ASSEMBLY

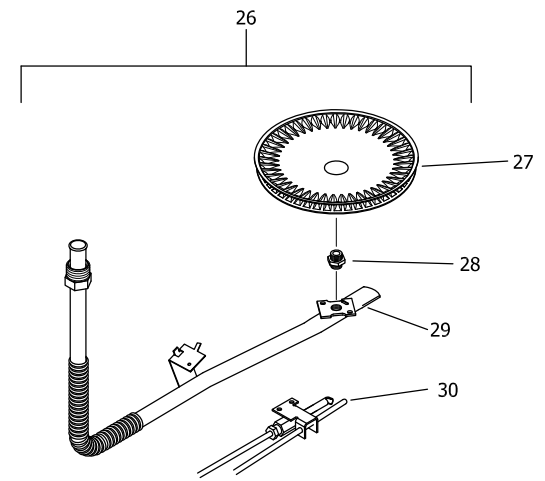
Item Description	Model	Model	Model
	RG130T*(N,X)-500	RG140T*(N,X)-500	RG150T*(N,X)-500
1 Draft Diverter	239-45787-00	239-45787-00	239-45787-00
2 Heat Trap Insert (Outlet)	239-45167-00	239-45167-00	239-45167-00
3 Hot Water Outlet Anode (Magnesium)▲#	415-47776-19	415-47776-19	415-47776-19
Hot Water Outlet (Aluminum)▲#	224-32999-42	224-32999-42	224-32999-42
Hot Water Outlet (A420 Aluminum)▲#	224-49560-10	224-49560-10	224-49560-10
4 Flue Baffle	243-51480-00	243-51477-00	243-51477-00
5 Heat Trap Insert (Inlet)	415-51556-00	415-51556-00	415-51556-00
6 Cold Water Inlet Dip Tube (PEX)▲▲	415-51230-19	415-51230-21	415-51230-18
7 T&P Relief Valve	415-40594-01	415-40594-01	415-40594-01
8 Feedline Clip	239-47475-00	239-47475-00	239-47475-00
9 Right Side Inner Door Complete	239-43963-01	239-43963-04	239-43963-06
10 Screw-#8-18 x 3/4 HWH	239-44195-00	239-44195-00	239-44195-00
11 Screw-#10-12 x 3/4 HWH	239-52581-00	239-52581-00	239-52581-00
12 Left Side Inner Door Complete	239-43968-14	239-43968-16	239-43968-18
13 Resettable Thermal Switch	415-43676-02	415-43676-02	415-43676-01
14 Screw-#6-20 x 3/8 PHCR	239-43967-00	239-43967-00	239-43967-00
15 Outer Door	239-43962-00	239-43962-00	239-43962-00
16 Brass Drain Valve	415-48070-01	415-48070-01	415-48070-01
17 Piezo Igniter Kit	415-43448-00	415-43448-00	243-43450-00
18 T-Stat Direct Replacement (Natural Gas)	265-46181-01	265-46181-01	265-46181-01
T-Stat Direct Replacement (LP Gas)	265-46182-01	265-46182-01	265-46182-01
19 Kit-Heat Trap Insert	265-51572-00	265-51572-00	265-51572-00
20 ASSE Approved Mixing Valve (Optional)	239-51778-00	239-51778-00	239-51778-00
21 Inner Door Gasket Kit	239-44078-00	239-44078-00	239-44078-00
<b>Natural Gas Burner Assembly</b>			
22 Nat Gas Burner Assembly Complete*** **	265-51843-01-39	265-51843-02-39	265-51843-03-35
23 Nat. Gas Burner**	228-42506-00	228-42506-00	228-42506-00
24 Nat. Gas Main Burner Orifice** (0Ft. to 2,000Ft.)	234-41034-39	234-41034-35	234-41034-35
Nat. Gas High Altitude Orifice 2,001Ft. to 7,000Ft. (-475 model suffixes)**	234-41034-43	234-41034-39	234-41034-39
Nat. Gas High Altitude Kit 7,001Ft. to 10,000Ft.	234-41034-44	234-41034-42	234-41034-42
25 Feedline	233-48094-01	233-48094-02	233-48094-03
26 Nat. Gas Pilot Assembly**	233-51812-01	233-51812-02	233-51812-03
Nat. Gas Pilot Assembly 2,001Ft. to 7,000Ft.(-475 model suffixes)**	233-51812-01	233-51812-02	233-51812-03
<b>LP Gas Burner Assembly</b>			
27 LP Gas Burner Assembly Complete*** **	265-47115-01-53	265-47115-02-51	265-47115-06-51
28 LP Gas Burner**	228-46964-00	228-46964-00	228-46964-00
29 LP Gas Main Burner Orifice**	234-47064-53	234-47064-51	234-47064-51
LP Gas High Altitude Orifice 2,001 Ft. to 7,000 Ft. (-475 model suffixes)**	234-47064-54	234-47064-53	234-47064-53
LP Gas High Altitude Orifice 7,001 Ft. to 10,000 Ft.**	234-47064-55	234-47064-54	234-47064-54
30 Feedline	233-47108-01	233-47108-02	233-47108-03
31 LP Gas Pilot Assembly**	233-46278-02	233-46278-06	233-46278-02
LP to Nat. Gas Conversion Kit	265-53403-19	265-53403-21	265-45712-84
LP to Nat. Gas High Altitude Conversion Kit (-475 model suffixes)**	265-53403-20	265-53403-22	265-45712-85

\*\*\* Ordering a complete burner assembly may increase delivery time. Please order the specific component required for the quickest delivery.

# Anode may need to be cut to length



NATURAL GAS BURNER ASSEMBLY



LP GAS BURNER ASSEMBLY



Item Description	Model RG230S*(N,X)	Model RG230T*(N,X)	Model RG240S*(N,X)	Model RG240T*(N,X)
1 Draft Diverter	239-45787-00	239-45787-00	239-45787-00	239-45787-00
2 Heat Trap Insert (Outlet)	415-45167-00	415-45167-00	415-45167-00	415-45167-00
3 Hot Water Outlet Anode (Magnesium)▲#	415-47776-19	415-47776-19	415-47776-19	415-47776-19
Hot Water Outlet (Aluminum)▲#	415-32999-42	415-32999-42	415-32999-42	415-32999-42
Hot Water Outlet (A420 Aluminum)▲#	415-49560-10	415-49560-10	415-49560-10	415-49560-10
4 Flue Baffle	243-45226-00	243-44639-00	243-52980-00	243-52981-00
5 Heat Trap Insert (Inlet)	415-51556-00	415-51556-00	415-51556-00	415-51556-00
6 Cold Water Inlet Dip Tube (PEX)▲▲	415-51230-20	415-51230-19	229-53466-02	229-53466-01
7 T&P Relief Valve	415-40594-02	415-40594-02	415-40594-02	415-40594-02
8 Feedline Clip	239-47475-00	239-47475-00	239-47475-00	239-47475-00
9 Right Side Inner Door Complete (Nat. Gas)	239-43963-03	239-43963-02	239-43963-07	239-43963-05
Right Side Inner Door Complete (LP Gas)	239-43963-03	239-43963-02	239-43963-07	239-43963-04
10 Screw-#8-18 x 3/4 HWH	239-44195-00	239-44195-00	239-44195-00	239-44195-00
11 Screw-#10-12 x 3/4 HWH	239-52581-00	239-52581-00	239-52581-00	239-52581-00
12 Left Side Inner Door Complete	239-43968-16	239-43968-14	239-43968-18	239-43968-16
13 Resettable Thermal Switch	415-43676-01	415-43676-03	415-43676-02	415-43676-03
14 Screw-#6-20 x 3/8 PHCR	239-43967-00	239-43967-00	239-43967-00	239-43967-00
15 Outer Door	239-43962-00	239-43962-00	239-43962-00	239-43962-00
16 Brass Drain Valve	415-42351-02	415-42351-02	415-42351-02	415-42351-02
17 Gas Control Direct Replacement (Nat. Gas)	415-52907-02	415-52907-02	415-52907-02	415-52907-02
Gas Control Direct Replacement (LP Gas)	415-52909-02	415-52909-02	415-52909-02	415-52909-02
Gas Control Universal Replacement (Nat. Gas)	415-53359-00	415-53359-00	415-53359-00	415-53359-00
Gas Control Universal Replacement (LP Gas)	415-53360-00	415-53360-00	415-53360-00	415-53360-00
18 Kit-Heat Trap Insert	265-51572-00	265-51572-00	265-51572-00	265-51572-00
19 ASSE Approved Mixing Valve (Optional)	239-51778-00	239-51778-00	239-51778-00	239-51778-00
20 Inner Door Gasket Kit	239-44078-00	239-44078-00	239-44078-00	239-44078-00
<b>Natural Gas Burner Assembly</b>				
21 Nat Gas Burner Assembly Complete*** **	265-48037-03-38	265-47439-02-36	265-47439-05-32	265-47439-04-32
22 Nat. Gas Burner**	228-42506-00	228-42506-00	228-42506-00	228-42506-00
23 Nat. Gas Main Burner Orifice** (0Ft. to 2,000Ft.)	234-41034-38	234-41034-36	234-41034-32	234-41034-32
Nat. Gas High Altitude Orifice 2,001Ft. to 7,000Ft. (-475 model suffixes)**	234-41034-42	234-41034-41	234-41034-36	234-41034-36
Nat. Gas High Altitude Kit 7,001Ft. to 10,000Ft.	265-51311-02-44	265-51311-02-43	265-51311-02-40	265-51311-02-40
24 Feedline	233-48094-03	233-48094-02	233-48094-04	233-48094-03
25 Nat. Gas Pilot Assembly**	233-47845-05	233-47845-05	233-47845-05	233-47845-05
<b>LP Gas Burner Assembly</b>				
26 LP Gas Burner Assembly Complete*** **	265-47440-05-53	265-47440-01-60	265-47440-11-50	265-48038-03-52
27 LP Gas Burner**	228-46964-00	228-46964-00	228-46964-00	228-46964-00
28 LP Gas Main Burner Orifice**	234-47064-53	234-47064-60	234-47064-50	234-47064-52
LP Gas High Altitude Orifice 2,001Ft. to 7,000Ft. (-475 model suffixes)**	234-47064-54	234-47064-54	234-47064-52	234-47064-53
LP Gas High Altitude Orifice 7,001Ft. to 10,000Ft.**	265-51367-02-56	265-51367-02-54	265-51367-02-53	265-51367-02-54
29 Feedline	233-47108-03	233-47108-02	233-47108-04	233-47108-03
30 LP Gas Pilot Assembly**	233-47846-05	233-47846-05	233-47846-05	233-47846-05
LP to Nat. Gas Conversion Kit	265-45712-72	265-45712-09	265-45712-75	265-45712-10
LP to Nat. Gas High Altitude Conversion Kit (-475 model suffixes)**	265-45712-73	265-45712-74	265-45712-76	265-45712-77

\* Applies to all warranties

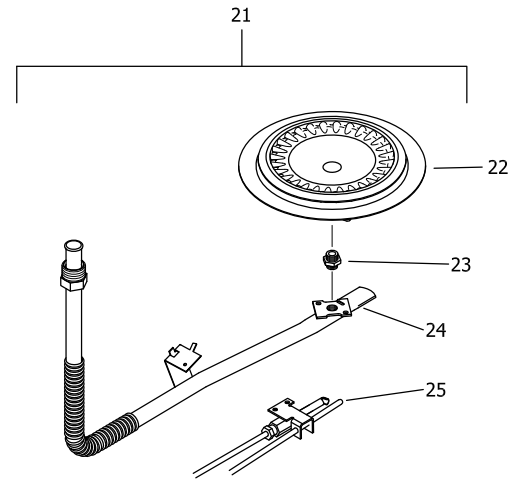
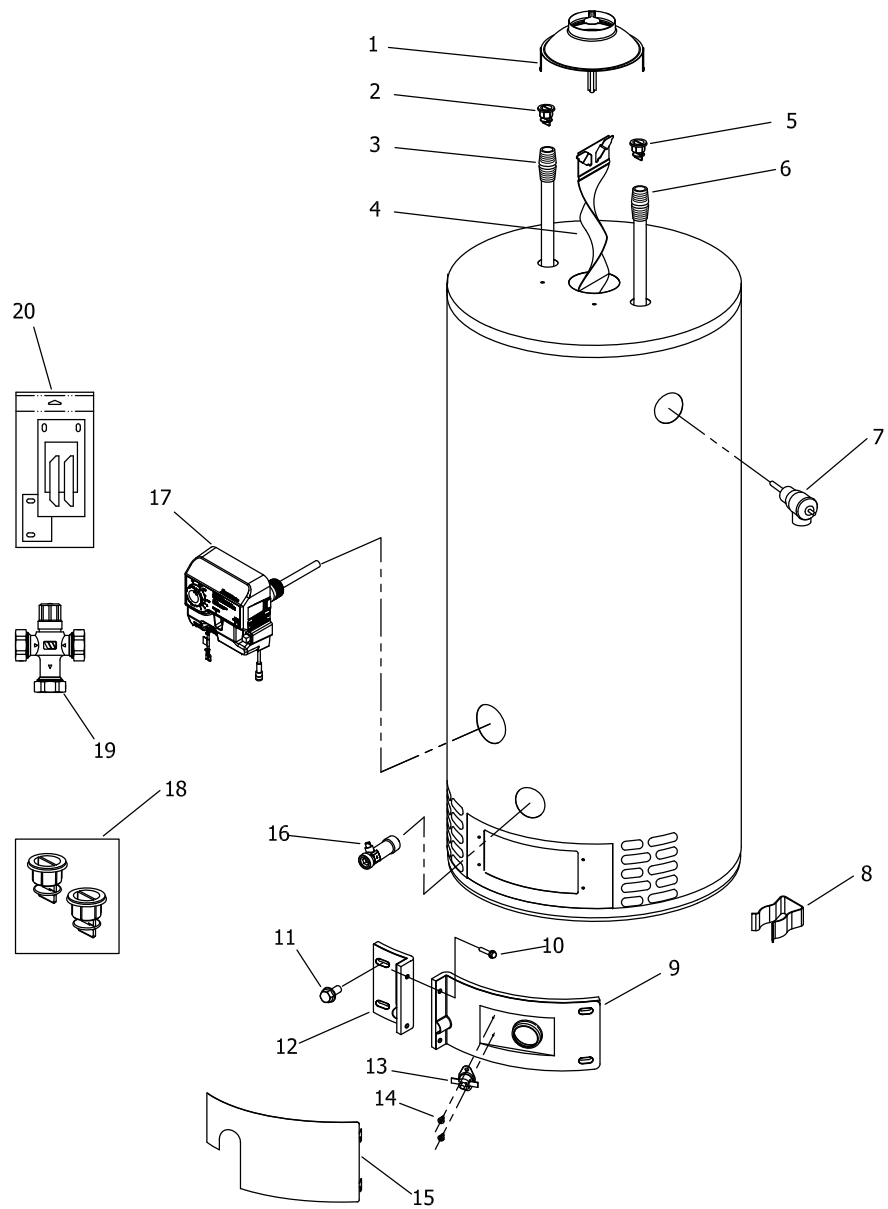
\*\* Inner door gasket kit recommended

\*\*\* Ordering a complete burner assembly may increase delivery time. Please order the specific component required for the quickest delivery.

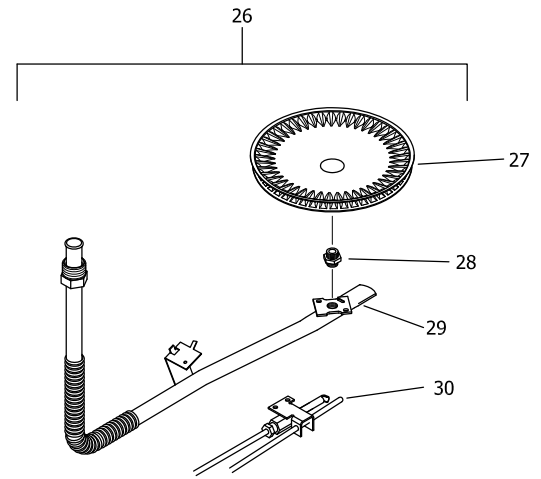
▲ Order with item 2

▲▲ Order with item 5

# Anode may need to be cut to length



NATURAL GAS BURNER ASSEMBLY



LP GAS BURNER ASSEMBLY

Item Description	Model	Model	Model	Model
	RG230S*(N,X)-600	RG230T*(N,X)-600	RG240S*(N,X)-600	RG240T*(N,X)-600
1 Draft Diverter	239-45787-00	239-45787-00	239-45787-00	239-45787-00
2 Heat Trap Insert (Outlet)	415-45167-00	415-45167-00	415-45167-00	415-45167-00
3 Hot Water Outlet Anode (Magnesium)▲#	415-47776-19	415-47776-19	415-47776-19	415-47776-19
Hot Water Outlet (Aluminum)▲#	415-32999-42	415-32999-42	415-32999-42	415-32999-42
Hot Water Outlet (A420 Aluminum)▲#	415-49560-10	415-49560-10	415-49560-10	415-49560-10
4 Flue Baffle	243-45226-00	243-44639-00	243-52980-00	243-52981-00
5 Heat Trap Insert (Inlet)	415-51556-00	415-51556-00	415-51556-00	415-51556-00
6 Cold Water Inlet Dip Tube (PEX)▲▲	415-51230-20	415-51230-19	229-53466-02	229-53466-01
7 T&P Relief Valve	415-40594-02	415-40594-02	415-40594-02	415-40594-02
8 Feedline Clip	239-47475-00	239-47475-00	239-47475-00	239-47475-00
9 Right Side Inner Door Complete (Nat. Gas)	239-43963-03	239-43963-02	239-43963-07	239-43963-05
Right Side Inner Door Complete (LP Gas)	239-43963-03	239-43963-02	239-43963-07	239-43963-04
10 Screw-#8-18 x 3/4 HWH	239-44195-00	239-44195-00	239-44195-00	239-44195-00
11 Screw-#10-12 x 3/4 HWH	239-52581-00	239-52581-00	239-52581-00	239-52581-00
12 Left Side Inner Door Complete	239-43968-16	239-43968-14	239-43968-18	239-43968-16
13 Resettable Thermal Switch	415-43676-01	415-43676-03	415-43676-02	415-43676-03
14 Screw-#6-20 x 3/8 PHCR	239-43967-00	239-43967-00	239-43967-00	239-43967-00
15 Outer Door	239-43962-00	239-43962-00	239-43962-00	239-43962-00
16 Brass Drain Valve	415-42351-02	415-42351-02	415-42351-02	415-42351-02
17 Gas Control Direct Replacement (Nat. Gas)	415-52944-02	415-52944-02	415-52944-02	415-52944-02
Gas Control Direct Replacement (LP Gas)	415-52945-02	415-52945-02	415-52945-02	415-52945-02
18 Kit-Heat Trap Insert	265-51572-00	265-51572-00	265-51572-00	265-51572-00
19 ASSE Approved Mixing Valve (Optional)	239-51778-00	239-51778-00	239-51778-00	239-51778-00
20 Inner Door Gasket Kit	239-44078-00	239-44078-00	239-44078-00	239-44078-00
<b>Natural Gas Burner Assembly</b>				
21 Nat Gas Burner Assembly Complete*** **	265-53623-03-38	265-53623-02-36	265-53632-04-32	265-53623-04-32
22 Nat. Gas Burner**	228-42506-00	228-42506-00	228-42506-00	228-42506-00
23 Nat. Gas Main Burner Orifice** (0Ft. to 2,000Ft.)	234-41034-38	234-41034-36	234-41034-32	234-41034-32
Nat. Gas High Altitude Orifice 2,001Ft. to 7,000Ft. (-475 model suffixes)**	234-41034-42	234-41034-41	234-41034-36	234-41034-36
Nat. Gas High Altitude Kit 7,001Ft. to 10,000Ft.	265-51311-02-44	265-51311-02-43	265-51311-02-40	265-51311-02-40
24 Feedline	233-48094-03	233-48094-02	233-48094-04	233-48094-03
25 Nat. Gas Pilot Assembly**	233-52946-05	233-52946-05	233-52946-05	233-52946-05
<b>LP Gas Burner Assembly</b>				
26 LP Gas Burner Assembly Complete*** **	265-53634-03-53	265-53634-02-60	265-53634-04-50	265-53634-03-52
27 LP Gas Burner**	228-46964-00	228-46964-00	228-46964-00	228-46964-00
28 LP Gas Main Burner Orifice**	234-47064-53	234-47064-60	234-47064-50	234-47064-52
LP Gas High Altitude Orifice 2,001Ft. to 7,000Ft. (-475 model suffixes)**	234-47064-54	234-47064-54	234-47064-52	234-47064-53
LP Gas High Altitude Orifice 7,001Ft. to 10,000Ft.**	265-51367-02-56	265-51367-02-54	265-51367-02-53	265-51367-02-54
29 Feedline	233-47108-03	233-47108-02	233-47108-04	233-47108-03
30 LP Gas Pilot Assembly**	233-52947-05	233-52947-05	233-52947-05	233-52947-05
LP to Nat. Gas Conversion Kit	265-53621-40	265-53621-09	265-53621-43	265-53621-10
LP to Nat. Gas High Altitude Conversion Kit (-475 model suffixes)**	265-53621-41	265-53621-42	265-53621-44	265-53621-45

\* Applies to all warranties

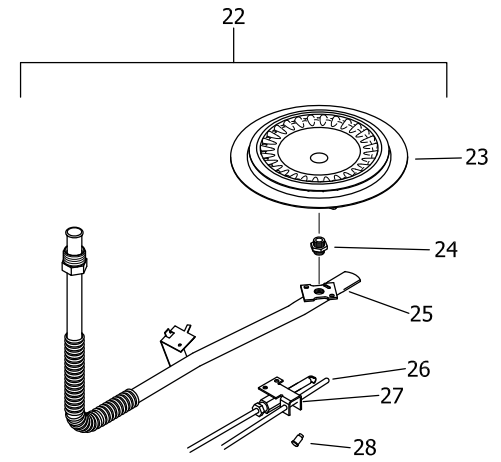
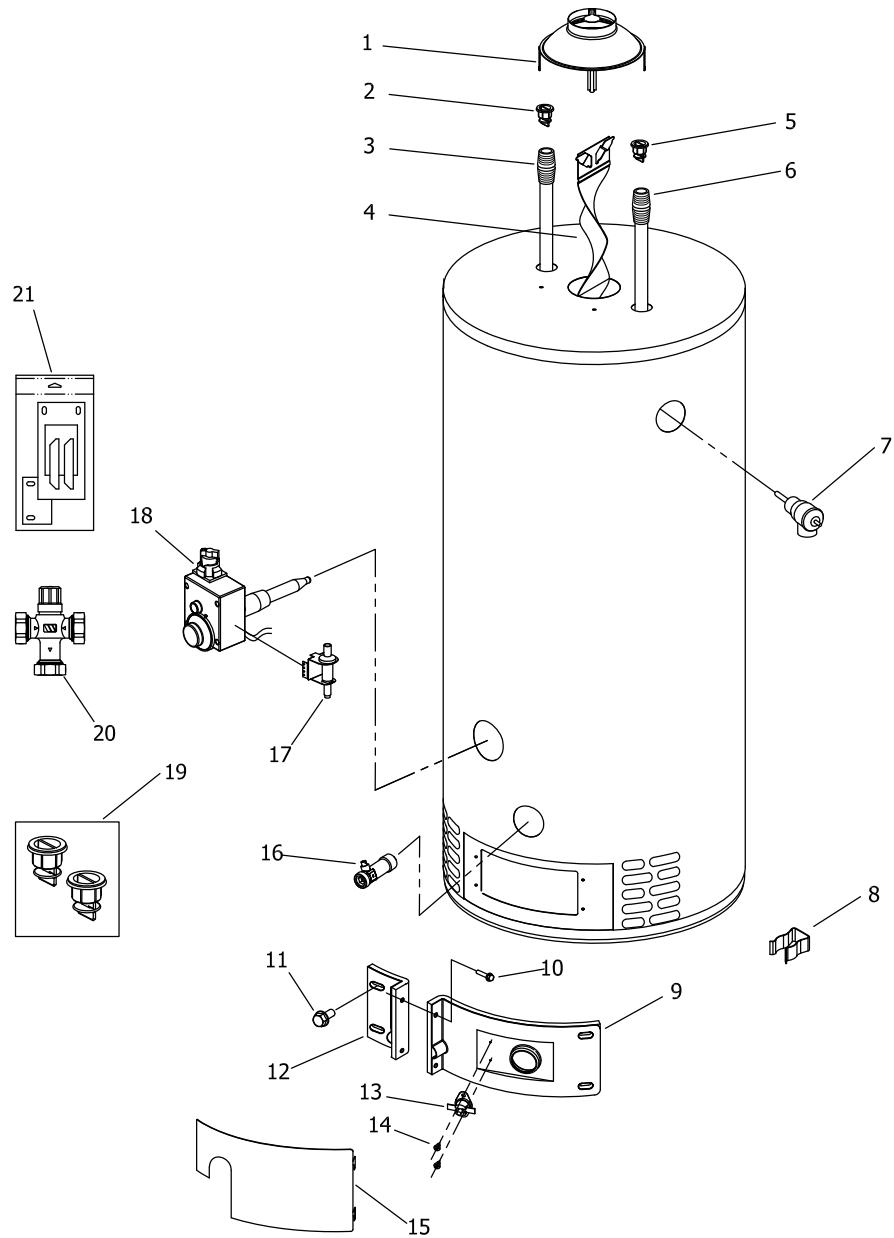
\*\* Inner door gasket kit recommended

\*\*\* Ordering a complete burner assembly may increase delivery time. Please order the specific component required for the quickest delivery.

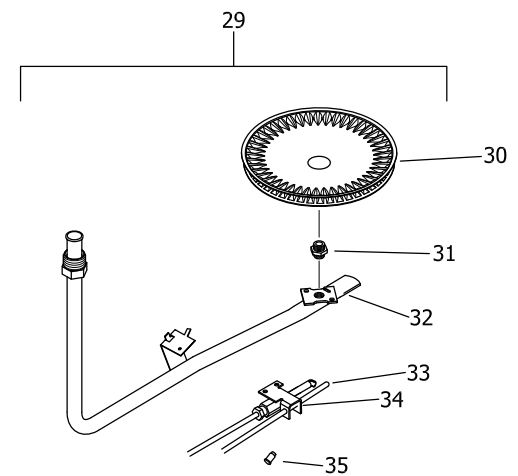
▲ Order with item 2

▲▲ Order with item 5

# Anode may need to be cut to length



NATURAL GAS (BN) BURNER ASSEMBLY



LP GAS (SX) BURNER ASSEMBLY

Item Description	Model	Model	Model	Model
	RG230S*(N,X)-500	RG230T*(N,X)-500	RG240S*(N,X)-500	RG240T*(N,X)-500
1 Draft Diverter	239-45787-00	239-45787-00	239-45787-00	239-45787-00
2 Heat Trap Insert (Outlet)	415-45167-00	415-45167-00	415-45167-00	415-45167-00
3 Hot Water Outlet Anode (Magnesium)▲#	415-47776-19	415-47776-19	415-47776-19	415-47776-19
Hot Water Outlet (Aluminum)▲#	415-32999-42	415-32999-42	415-32999-42	415-32999-42
Hot Water Outlet (A420 Aluminum)▲#	415-49560-10	415-49560-10	415-49560-10	415-49560-10
4 Flue Baffle	243-45226-00	243-44639-00	243-52980-00	243-52981-00
5 Heat Trap Insert (Inlet)	415-51556-00	415-51556-00	415-51556-00	415-51556-00
6 Cold Water Inlet Dip Tube (PEX)▲▲	415-51230-20	415-51230-19	229-53466-02	229-53466-01
7 T&P Relief Valve	415-40594-02	415-40594-02	415-40594-02	415-40594-02
8 Feedline Clip	239-47475-00	239-47475-00	239-47475-00	239-47475-00
9 Right Side Inner Door Complete (Nat. Gas)	239-43963-03	239-43963-02	239-43963-07	239-43963-05
Right Side Inner Door Complete (LP Gas)	239-43963-03	239-43963-02	239-43963-07	239-43963-04
10 Screw-#8-18 x 3/4 HWH	239-44195-00	239-44195-00	239-44195-00	239-44195-00
11 Screw-#10-12 x 3/4 HWH	239-52581-00	239-52581-00	239-52581-00	239-52581-00
12 Left Side Inner Door Complete	239-43968-16	239-43968-14	239-43968-18	239-43968-16
13 Resettable Thermal Switch (Nat. Gas)	415-43676-01	415-43676-03	415-43676-02	415-43676-03
14 Screw-#6-20 x 3/8 PHCR	239-43967-00	239-43967-00	239-43967-00	239-43967-00
15 Outer Door	239-43962-00	239-43962-00	239-43962-00	239-43962-00
16 Brass Drain Valve	415-42351-02	415-42351-02	415-42351-02	415-42351-02
17 Piezo Igniter Kit	243-43450-00	243-43450-00	243-43450-00	243-43450-00
18 T-Stat Direct Replacement (Natural Gas)	265-46181-02	265-46181-02	265-46181-02	265-46181-02
T-Stat Direct Replacement (LP Gas)	265-46182-02	265-46182-02	265-46182-02	265-46182-02
19 Kit-Heat Trap Insert	239-51572-00	239-51572-00	239-51572-00	239-51572-00
20 ASSE Approved Mixing Valve (Optional)	239-51778-00	239-51778-00	239-51778-00	239-51778-00
21 Inner Door Gasket Kit	239-44078-00	239-44078-00	239-44078-00	239-44078-00
<b>Natural Gas Burner Assembly</b>				
22 Nat Gas Burner Assembly Complete*** **	265-47439-07-38	265-47439-02-36	265-47439-04-32	265-47439-04-32
23 Nat. Gas Burner**	228-42506-00	228-42506-00	228-42506-00	228-42506-00
24 Nat. Gas Main Burner Orifice**	234-41034-38	234-41034-36	234-41034-32	234-41034-32
25 Feedline	233-48094-03	233-48094-02	243-43971-04	233-48094-03
26 Pilot Assembly Thermocouple	415-46501-24	415-46501-24	415-46501-24	415-46501-24
27 Nat. Gas Pilot Assembly**	233-46277-06	233-46277-06	233-46277-06	233-46277-06
28 Nat. Pilot Assembly Orifice	234-46502-05	234-46502-05	234-46502-05	234-46502-05
<b>LP Gas Burner Assembly</b>				
29 LP Gas Burner Assembly Complete*** **	265-47115-03-53	265-47440-01-60	265-47440-11-50	265-47115-03-52
30 LP Gas Burner**	228-46964-00	228-46964-00	228-46964-00	228-46964-00
31 LP Gas Main Burner Orifice**	234-47064-53	234-47064-60	234-47064-50	234-47064-52
32 Feedline	233-47108-03	233-47108-02	233-47108-04	233-47108-03
33 Pilot Assembly Thermocouple	415-46501-24	415-46501-24	415-46501-24	415-46501-24
34 LP Gas Pilot Assembly**	233-46278-04	233-46278-04	233-47846-04	233-46278-04
35 LP Pilot Assembly Orifice	234-46502-02	234-46502-02	234-46502-02	234-46502-02

\* Applies to all warranties

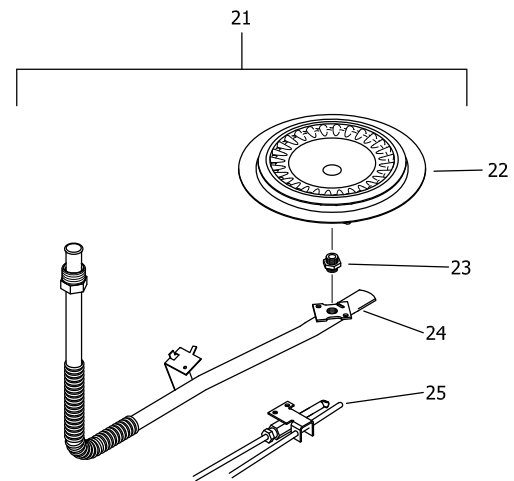
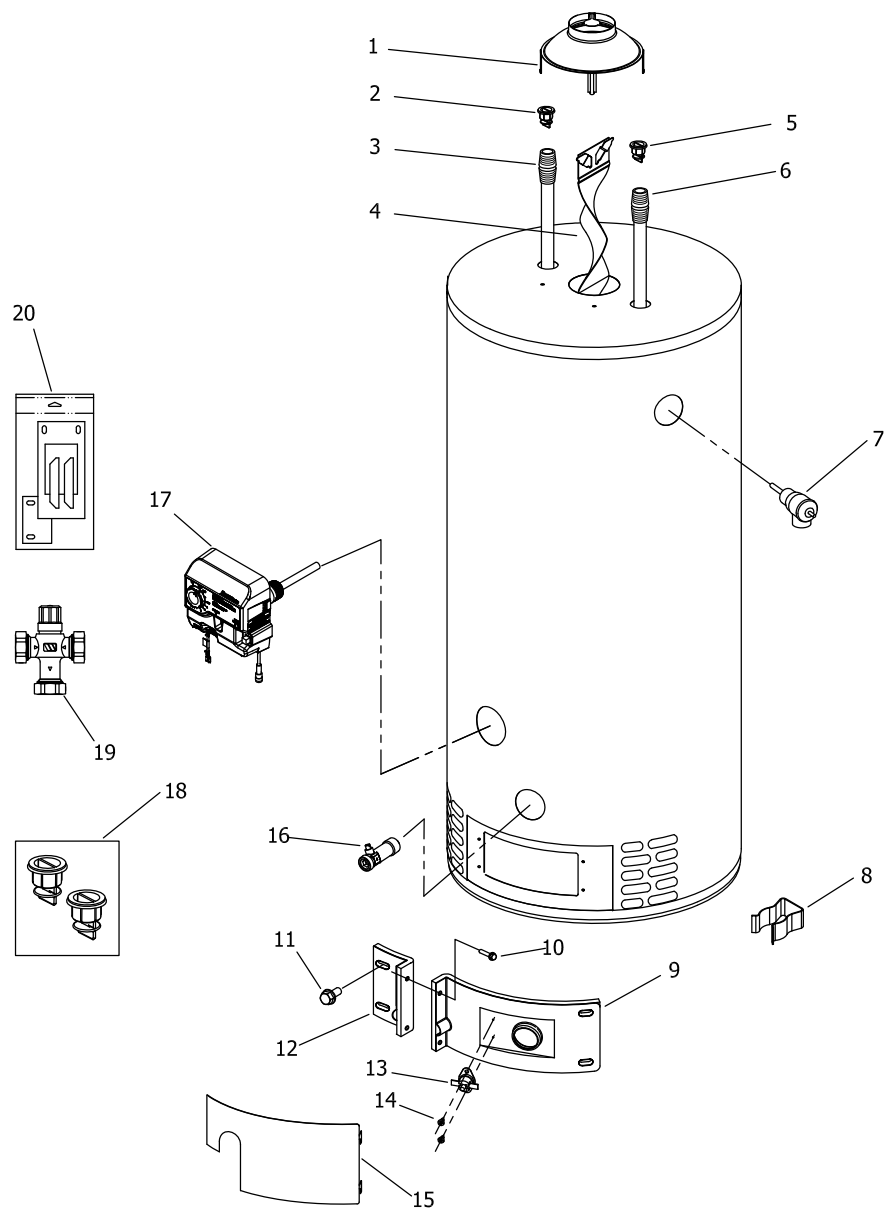
\*\* Inner door gasket kit recommended

\*\*\* Ordering a complete burner assembly may increase delivery time. Please order the specific component required for the quickest delivery.

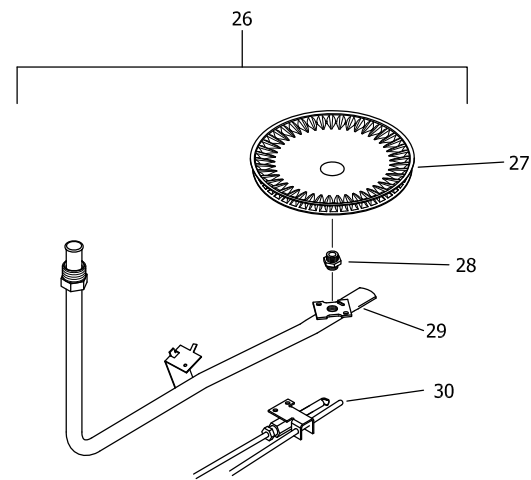
▲ Order with item 2

▲▲ Order with item 5

# Anode may need to be cut to length



NATURAL GAS BURNER ASSEMBLY



LP GAS BURNER ASSEMBLY

Item Description	Model	Model	Model	Model
	RG250L*(N.X)	RG250S*(N.X)	RG250T*(N.X)	RG250R*(N.X)
1 Draft Diverter	239-45787-00	239-33081-02-20-15	239-45787-00	239-45787-00
2 Heat Trap Insert (Outlet)	415-45167-00	415-45167-00	415-45167-00	415-45167-00
3 Hot Water Outlet Anode (Magnesium)▲#	415-47776-19	415-47776-19	415-47776-19	415-47776-19
Hot Water Outlet (Aluminum)▲#	415-32999-42	415-32999-42	415-32999-42	415-32999-42
Hot Water Outlet (A420 Aluminum)▲#	415-49560-10	415-49560-10	415-49560-10	415-49560-10
4 Flue Baffle	243-45223-00	243-53148-00	243-44705-00	243-54748-00
5 Heat Trap Insert (Inlet)	415-51556-00	415-51556-00	415-51556-00	415-51556-00
6 Cold Water Inlet Dip Tube (PEX)▲▲	415-51230-16	415-51230-14	415-51230-18	415-51230-14
7 T&P Relief Valve	415-40594-02	415-40594-02	415-40594-02	415-40594-02
8 Feedline Clip	239-47475-00	239-47475-00	239-47475-00	239-47475-00
9 Right Side Inner Door Complete	239-43963-09	239-43963-06	239-43963-07	239-43963-06
10 Screw-#8-18 x 3/4 HWH	239-44195-00	239-44195-00	239-44195-00	239-44195-00
11 Screw-#10-12 x 3/4 HWH	239-52581-00	239-52581-00	239-52581-00	239-52581-00
12 Left Side Inner Door Complete	239-43968-20	239-43968-18	239-43968-18	239-43968-18
13 Resettable Thermal Switch	415-43676-01	415-43676-01	415-43676-02	415-43676-01
14 Screw-#6-20 x 3/8 PHCR	239-43967-00	239-43967-00	239-43967-00	239-43967-00
15 Outer Door	239-43962-00	239-43962-00	239-43962-00	239-43962-00
16 Brass Drain Valve	415-42351-02	415-42351-02	415-42351-02	415-42351-02
17 Gas Control Direct Replacement (Nat. Gas)	415-52907-02	415-52907-02	415-52907-02	415-52907-02
Gas Control Direct Replacement (LP Gas)	415-52909-02	415-52909-02	415-52909-02	415-52909-02
Gas Control Universal Replacement (Nat. Gas)	415-53359-00	415-53359-00	415-53359-00	415-53359-00
Gas Control Universal Replacement (LP Gas)	415-53360-00	415-53360-00	415-53360-00	415-53360-00
18 Kit-Heat Trap Insert	239-51572-00	239-51572-00	239-51572-00	239-51572-00
19 ASSE Approved Mixing Valve (Optional)	239-51778-00	239-51778-00	239-51778-00	239-51778-00
20 Inner Door Gasket Kit	239-44078-00	239-44078-00	239-44078-00	239-44078-00
<b>Natural Gas Burner Assembly</b>				
21 Nat Gas Burner Assembly Complete*** **	265-47439-10-32	265-47439-07-30	265-47439-05-32	265-47439-07-32
22 Nat. Gas Burner**	228-42506-00	228-42506-00	228-42506-00	228-42506-00
23 Nat. Gas Main Burner Orifice** (0Ft. to 2,000Ft.)	234-41034-32	234-41034-30	234-41034-32	234-41034-32
Nat. Gas High Altitude Orifice 2,001Ft. to 7,000Ft. (-475 model suffixes)**	234-41034-36	234-41034-32	234-41034-36	234-41034-36
Nat. Gas High Altitude Kit 7,001Ft. to 10,000Ft.	265-51311-02-40	265-51311-02-35	265-51311-02-40	265-51311-02-40
24 Feedline	233-48094-05	233-48094-04	233-48094-04	233-48094-04
25 Nat. Gas Pilot Assembly**	233-47845-05	233-47845-05	233-47845-05	233-47845-05
<b>LP Gas Burner Assembly</b>				
26 LP Gas Burner Assembly Complete*** **	265-48038-05-50	265-47440-08-47	265-48038-04-51	265-47440-07-51
27 LP Gas Burner**	228-46964-00	228-47000-00	228-46964-00	228-46964-00
28 LP Gas Main Burner Orifice**	234-47064-50	234-47064-47	234-47064-51	234-47064-51
LP Gas High Altitude Orifice 2,001Ft. to 7,000Ft. (-475 model suffixes)**	234-47064-52	234-47064-50	234-47064-53	234-47064-53
LP Gas High Altitude Orifice 7,001Ft. to 10,000Ft.**	265-51367-02-53	265-51367-02-51	265-51367-02-54	265-51367-02-54
29 Feedline	233-47108-05	233-47108-04	233-47108-04	233-47108-04
30 LP Gas Pilot Assembly**	233-47846-05	233-47846-05	233-47846-05	233-47846-05
LP to Nat. Gas Conversion Kit	265-45712-78	265-45712-80	265-45712-75	265-45712-75
LP to Nat. Gas High Altitude Conversion Kit (-475 model suffixes)**	265-45712-79	265-45712-81	265-45712-76	265-45712-76

\* Applies to all warranties

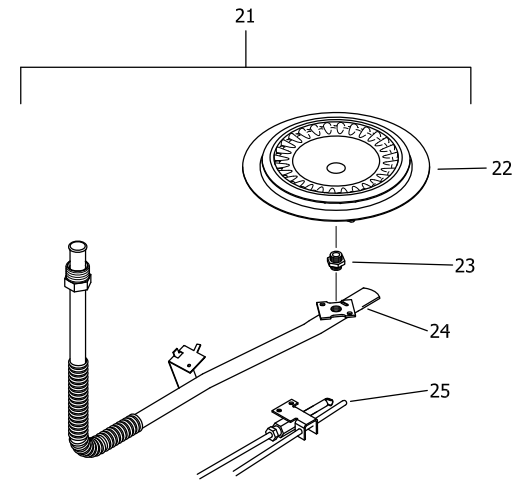
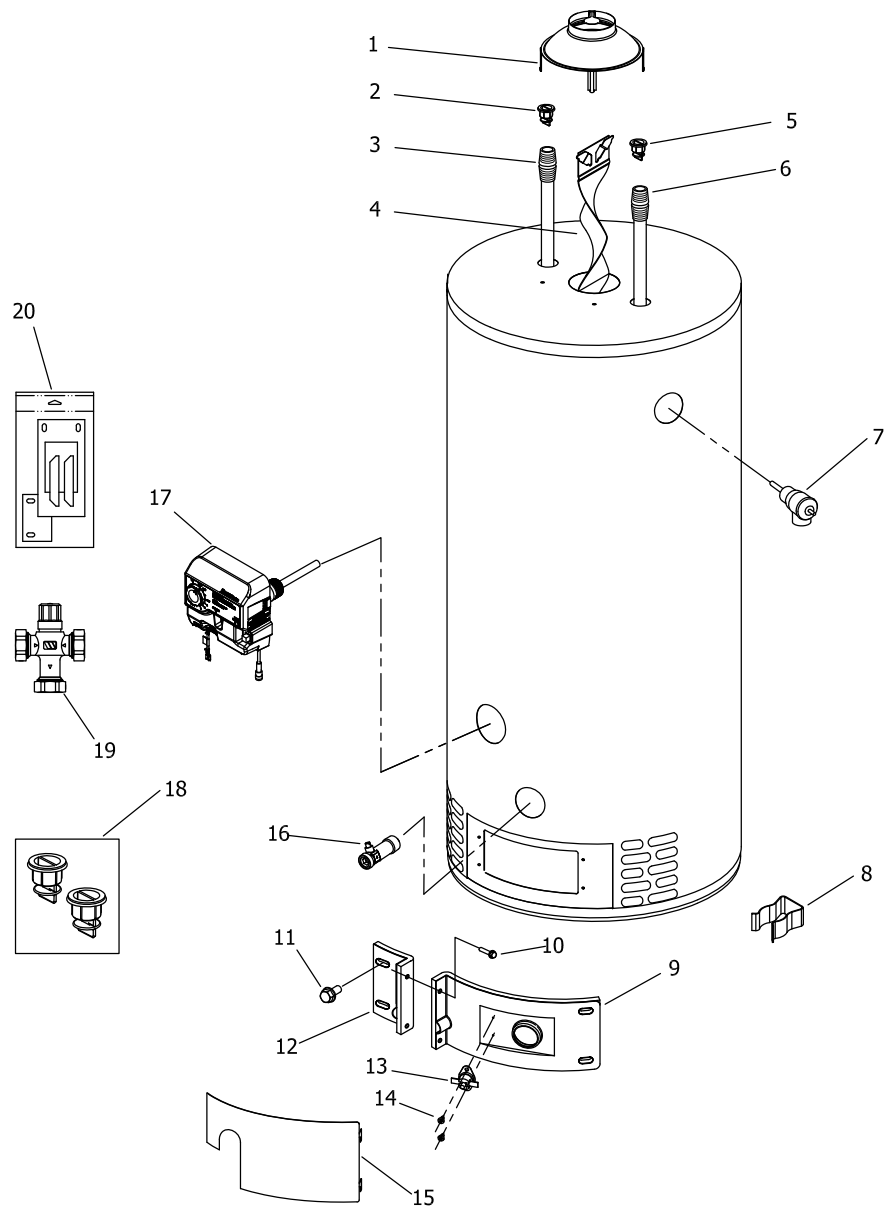
\*\* Inner door gasket kit recommended

\*\*\* Ordering a complete burner assembly may increase delivery time. Please order the specific component required for the quickest delivery.

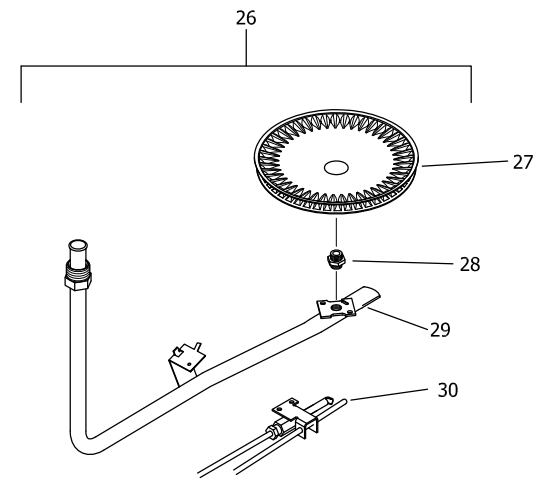
▲ Order with item 2

▲▲ Order with item 5

# Anode may need to be cut to length



NATURAL GAS BURNER ASSEMBLY



LP GAS BURNER ASSEMBLY



Item Description	Model	Model	Model
	RG250L*(N,X)-600	RG250S*(N,X)-600	RG250T*(N,X)-600
1 Draft Diverter	239-45787-00	239-33081-02-20-15	239-45787-00
2 Heat Trap Insert (Outlet)	415-45167-00	415-45167-00	415-45167-00
3 Hot Water Outlet Anode (Magnesium)▲#	415-47776-19	415-47776-19	415-47776-19
Hot Water Outlet (Aluminum)▲#	415-32999-42	415-32999-42	415-32999-42
Hot Water Outlet (A420 Aluminum)▲#	415-49560-10	415-49560-10	415-49560-10
4 Flue Baffle	243-45223-00	243-53148-00	243-44705-00
5 Heat Trap Insert (Inlet)	415-51556-00	415-51556-00	415-51556-00
6 Cold Water Inlet Dip Tube (PEX)▲▲	415-51230-16	415-51230-14	415-51230-18
7 T&P Relief Valve	415-40594-02	415-40594-02	415-40594-02
8 Feedline Clip	239-47475-00	239-47475-00	239-47475-00
9 Right Side Inner Door Complete	239-43963-09	239-43963-06	239-43963-07
10 Screw-#8-18 x 3/4 HWH	239-44195-00	239-44195-00	239-44195-00
11 Screw-#10-12 x 3/4 HWH	239-52581-00	239-52581-00	239-52581-00
12 Left Side Inner Door Complete	239-43968-20	239-43968-18	239-43968-18
13 Resettable Thermal Switch	415-43676-01	415-43676-01	415-43676-02
14 Screw-#6-20 x 3/8 PHCR	239-43967-00	239-43967-00	239-43967-00
15 Outer Door	239-43962-00	239-43962-00	239-43962-00
16 Brass Drain Valve	415-42351-02	415-42351-02	415-42351-02
17 Gas Control Direct Replacement (Nat. Gas)	415-52944-02	415-52944-02	415-52944-02
Gas Control Direct Replacement (LP Gas)	415-52945-02	415-52945-02	415-52945-02
18 Kit-Heat Trap Insert	239-51572-00	239-51572-00	239-51572-00
19 ASSE Approved Mixing Valve (Optional)	239-51778-00	239-51778-00	239-51778-00
20 Inner Door Gasket Kit	239-44078-00	239-44078-00	239-44078-00
<b>Natural Gas Burner Assembly</b>			
21 Nat Gas Burner Assembly Complete*** **	265-53623-06-32	265-53623-04-30	265-53632-04-32
22 Nat. Gas Burner**	228-42506-00	228-42506-00	228-42506-00
23 Nat. Gas Main Burner Orifice** (0Ft. to 2,000Ft.)	234-41034-32	234-41034-30	234-41034-32
Nat. Gas High Altitude Orifice 2,001Ft. to 7,000Ft. (-475 model suffixes)**	234-41034-36	234-41034-32	234-41034-36
Nat. Gas High Altitude Kit 7,001Ft. to 10,000Ft.	265-51311-02-40	265-51311-02-35	265-51311-02-40
24 Feedline	233-48094-05	233-48094-04	233-48094-04
25 Nat. Gas Pilot Assembly**	233-52946-05	233-52946-05	233-52946-05
<b>LP Gas Burner Assembly</b>			
26 LP Gas Burner Assembly Complete*** **	265-53634-05-50	265-53634-03-47	265-53634-04-51
27 LP Gas Burner**	228-46964-00	228-47000-00	228-46964-00
28 LP Gas Main Burner Orifice**	234-47064-50	234-47064-47	234-47064-51
LP Gas High Altitude Orifice 2,001Ft. to 7,000Ft. (-475 model suffixes)**	234-47064-52	234-47064-50	234-47064-53
LP Gas High Altitude Orifice 7,001Ft. to 10,000Ft.**	265-51367-02-53	265-51367-02-51	265-51367-02-54
29 Feedline	233-47108-05	243-47108-04	233-47108-04
30 LP Gas Pilot Assembly**	233-52947-05	233-52947-05	233-52947-05
LP to Nat. Gas Conversion Kit	265-53621-46	265-53621-48	265-53621-43
LP to Nat. Gas High Altitude Conversion Kit (-475 model suffixes)**	265-53621-47	265-53621-49	265-53621-44

\* Applies to all warranties

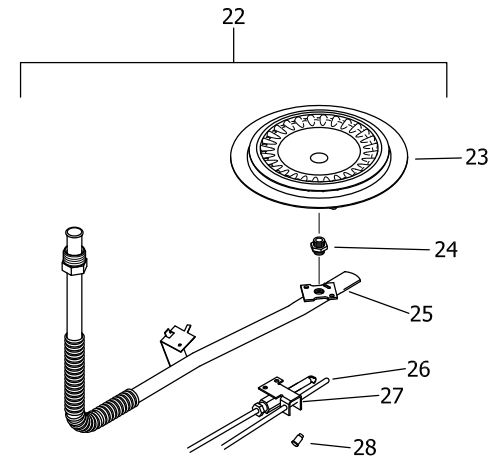
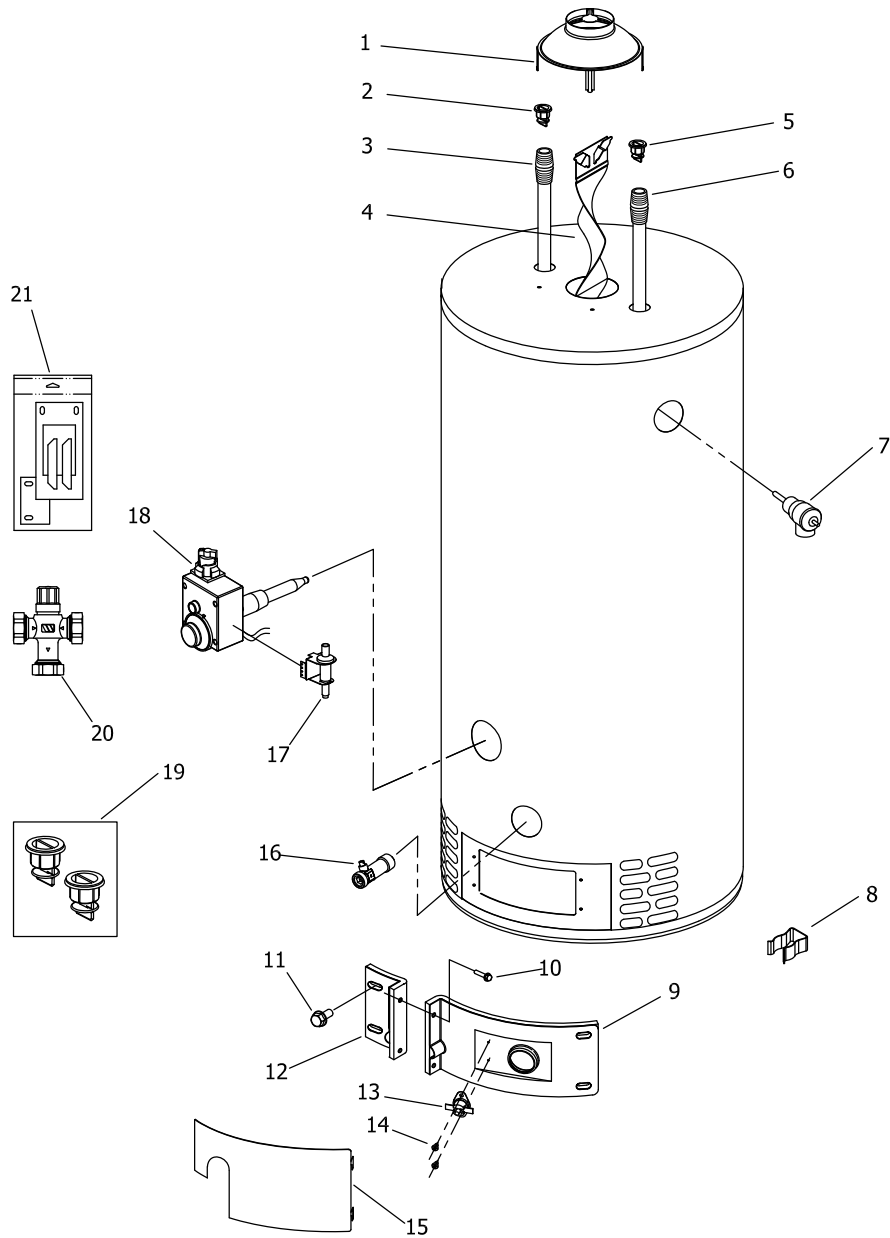
\*\* Inner door gasket kit recommended

\*\*\* Ordering a complete burner assembly may increase delivery time. Please order the specific component required for the quickest delivery.

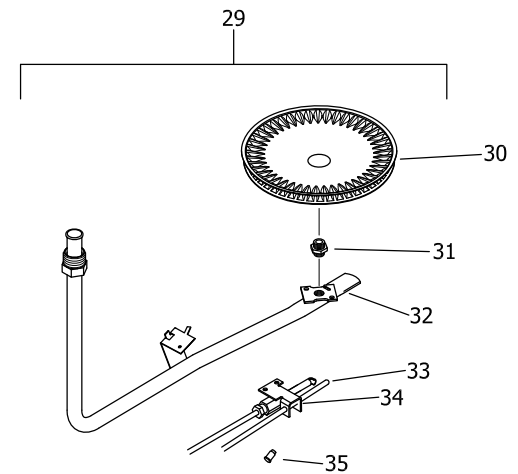
▲ Order with item 2

▲▲ Order with item 5

# Anode may need to be cut to length



NATURAL GAS (BN) BURNER ASSEMBLY



LP GAS (SX) BURNER ASSEMBLY

Item Description	Model	Model	Model	Model
	RG250L*(N,X)-500	RG250S*(N,X)-500	RG250T*(N,X)-500	RG250R*(N,X)-500
1 Draft Diverter	239-45787-00	239-33081-02-20-15	239-45787-00	239-45787-00
2 Heat Trap Insert (Outlet)	415-45167-00	415-45167-00	415-45167-00	415-45167-00
3 Hot Water Outlet Anode (Magnesium)▲#	415-47776-19	415-47776-19	415-47776-19	415-47776-19
Hot Water Outlet (Aluminum)▲#	415-32999-42	415-32999-42	415-32999-42	415-32999-42
Hot Water Outlet (A420 Aluminum)▲#	415-49560-10	415-49560-10	415-49560-10	415-49560-10
4 Flue Baffle	243-45223-00	243-53148-00	243-44705-00	243-54748-00
5 Heat Trap Insert (Inlet)	415-51556-00	415-51556-00	415-51556-00	415-51556-00
6 Cold Water Inlet Dip Tube (PEX)▲▲	415-51230-20	415-51230-14	415-51230-18	415-51230-14
7 T&P Relief Valve	415-40594-02	415-40594-02	415-40594-02	415-40594-02
8 Feedline Clip	239-47475-00	239-47475-00	239-47475-00	239-47475-00
9 Right Side Inner Door Complete	239-43963-09	239-43963-06	239-43963-07	239-43963-06
10 Screw-#8-18 x 3/4 HWH	239-44195-00	239-44195-00	239-44195-00	239-44195-00
11 Screw-#10-12 x 3/4 HWH	239-44113-00	239-44113-00	239-44113-00	239-44113-00
12 Left Side Inner Door Complete	239-43968-20	239-43968-18	239-43968-18	239-43968-18
13 Resettable Thermal Switch	415-43676-01	415-43676-01	415-43676-02	415-43676-01
14 Screw-#6-20 x 3/8 PHCR	239-43967-00	239-43967-00	239-43967-00	239-43967-00
15 Outer Door	239-43962-00	239-43962-00	239-43962-00	239-43962-00
16 Brass Drain Valve	415-42351-02	415-42351-02	415-42351-02	415-42351-02
17 Piezo Igniter Kit	243-43450-00	243-43450-00	243-43450-00	243-43450-00
18 T-Stat Direct Replacement (Natural Gas)	265-46181-02	265-46181-02	265-46181-02	265-46181-02
T-Stat Direct Replacement (LP Gas)	265-46182-02	265-46182-02	265-46182-02	265-46182-02
19 Kit-Heat Trap Insert	265-51572-00	265-51572-00	265-51572-00	265-51572-00
20 ASSE Approved Mixing Valve (Optional)	239-51778-00	239-51778-00	239-51778-00	239-51778-00
21 Inner Door Gasket Kit	239-44078-00	239-44078-00	239-44078-00	239-44078-00
<b>Natural Gas Burner Assembly</b>				
22 Nat Gas Burner Assembly Complete*** **	265-47439-10-32	265-47439-07-30	265-47439-05-32	265-47439-07-32
23 Nat. Gas Burner**	228-42506-00	228-42506-00	228-42506-00	228-42506-00
24 Nat. Gas Main Burner Orifice**	234-41034-32	234-41034-30	234-41034-32	234-41034-32
25 Feedline	233-48094-05	233-48094-04	233-48094-04	233-48094-04
26 Pilot Assembly Thermopile	415-46501-24	415-46501-24	415-46501-24	415-46501-24
27 Nat. Gas Pilot Assembly**	233-46277-04	233-46277-04	233-46277-04	233-46277-04
28 Pilot Assembly Orifice	234-46502-05	234-46502-05	234-46502-05	234-46502-05
<b>LP Gas Burner Assembly</b>				
29 LP Gas Burner Assembly Complete*** **	265-48038-05-50	265-47440-08-47	265-47115-04-51	265-47440-11-51
30 LP Gas Burner**	228-46964-00	228-47000-00	228-46964-00	228-46964-00
31 L.P. Gas Main Burner Orifice**	234-47064-50	234-47064-47	234-47064-51	234-47064-51
32 Feedline	233-47108-05	233-47108-04	233-47108-04	233-47108-04
33 Pilot Assembly Thermopile	415-46501-24	415-46501-24	415-46501-24	415-46501-24
34 LP Gas Pilot Assembly**	233-46278-03	233-46278-03	233-46278-03	233-46278-03
35 Pilot Assembly Orifice	234-46502-02	234-46502-02	234-46502-02	234-46502-02

\* Applies to all warranties

\*\* Inner door gasket kit recommended

\*\*\* Ordering a complete burner assembly may increase delivery time. Please order the specific component required for the quickest delivery.

▲ Order with item 2

▲▲ Order with item 5

# Anode may need to be cut to length



## United States

---

**Sales** 1-800-523-2931  
**Technical Support** 1-800-334-3393  
**Email** [techsupport@bradfordwhite.com](mailto:techsupport@bradfordwhite.com)  
**Warranty** 1-800-531-2111  
**Email** [warranty@bradfordwhite.com](mailto:warranty@bradfordwhite.com)  
**Service Parts** 1-800-538-2020  
**Email** [parts@bradfordwhite.com](mailto:parts@bradfordwhite.com)

## Canada

---

**Sales** 1-866-690-0961 1-905-203-0600  
**Fax** 905-636-0666  
**Warranty** 1-800-531-2111  
**Email** [warranty@bradfordwhite.com](mailto:warranty@bradfordwhite.com)  
**Technical Support** 1-800-334-3393  
**Email** [techsupport@bradfordwhite.com](mailto:techsupport@bradfordwhite.com)  
**Orders** [ca.orders@bradfordwhite.com](mailto:ca.orders@bradfordwhite.com)  
**Service Parts** [bwccwarranty@bradfordwhite.com](mailto:bwccwarranty@bradfordwhite.com)

For U.S. and Canada field service, contact your professional installer or local Bradford White sales representative.

## International

---

**General Contact** [international@bradfordwhite.com](mailto:international@bradfordwhite.com)