


BRADFORD WHITE[®]
W A T E R H E A T E R S

REPLACEMENT PARTS LIST
Residential & Light Duty
Commercial Gas Atmospheric Vent Models



“RG” & “LG” Models

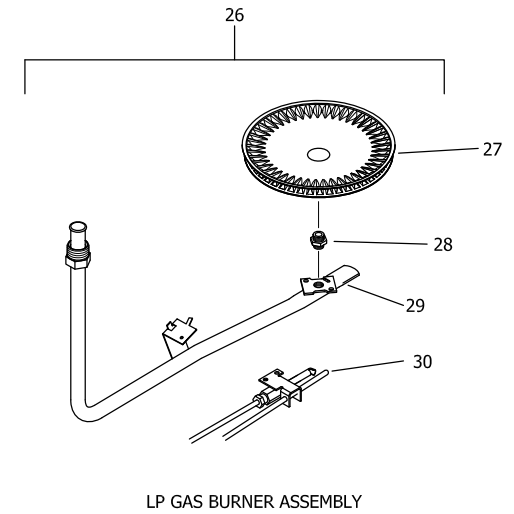
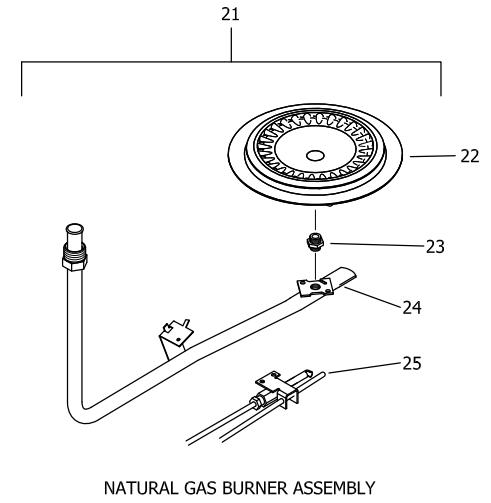
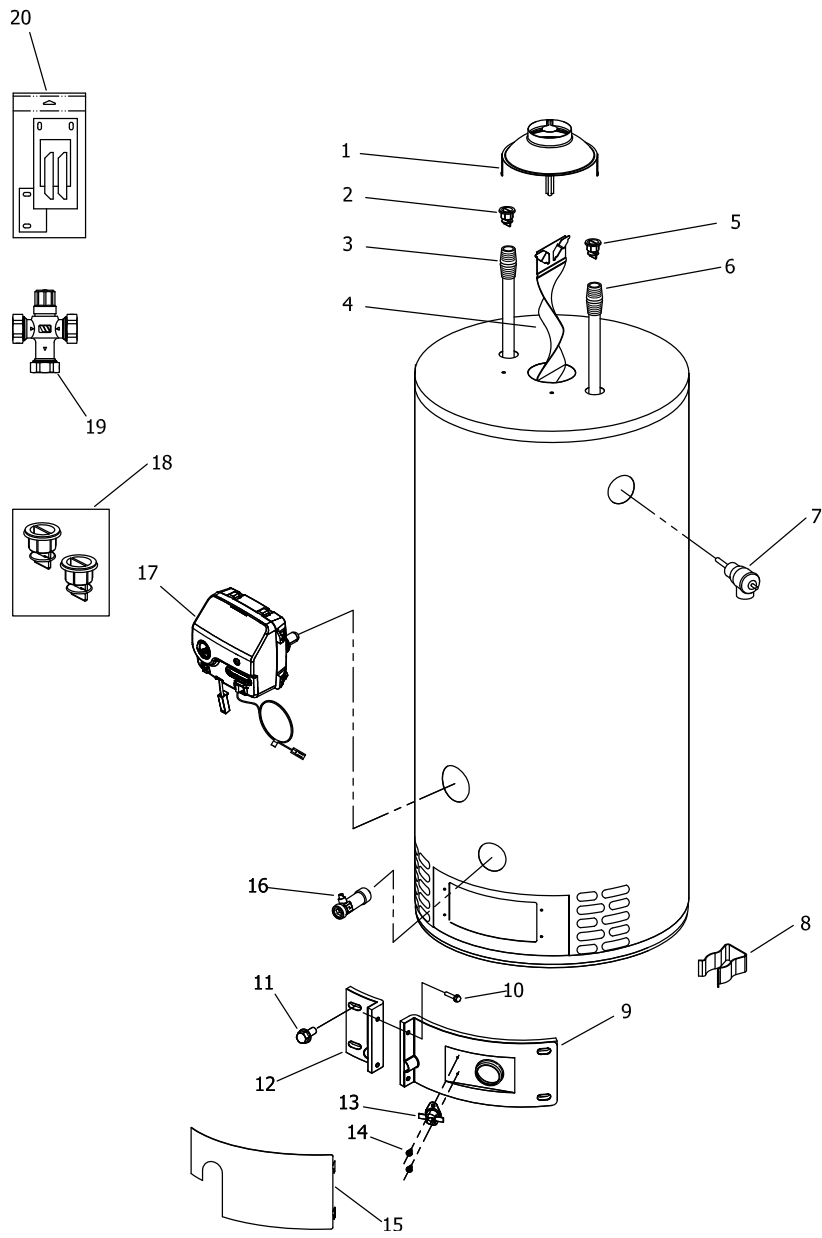
DEFENDER
SAFETY SYSTEM[®]

Includes Hydrojet[®]
Total Performance System

Effective: May, 2015
ECO 7950

**NOTE: BOTH MODEL AND SERIAL
NUMBERS ARE REQUIRED FOR
ORDERING REPLACEMENT PARTS**

Dimensions and specifications
subject to change without notice.



Item	Description	Model	Model	Model
		RG130T*(N,X)	RG140T*(N,X)	RG150T*(N,X)
1	Draft Diverter	243-45787-00	243-45787-00	243-45787-00
2	Heat Trap Insert (Outlet)	239-45167-00	239-45167-00	239-45167-00
3	Hot Water Outlet Anode (Magnesium) ▲#	224-47776-19	224-47776-19	224-47776-19
	Hot Water Outlet (Aluminum) ▲#	224-32999-42	224-32999-42	224-32999-42
	Hot Water Outlet (A420 Aluminum) ▲#	224-49560-08	224-49560-08	224-49560-08
4	Flue Baffle	243-51480-00	243-51477-00	243-51477-00
5	Heat Trap Insert (Inlet)	239-51556-00	239-51556-00	239-51556-00
6	Cold Water Inlet Dip Tube (PEX) ▲▲	229-51230-20	229-51230-19	229-51230-24
7	T&P Relief Valve	230-40594-02	230-40594-02	230-40594-02
8	Feedline Clip	239-47475-00	239-47475-00	239-47475-00
9	Right Side Inner Door Complete	239-43963-01	239-43963-04	239-43963-06
10	Screw-#8-18 x 3/4 HWH	239-44195-00	239-44195-00	239-44195-00
11	Screw-#10-12 x 3/4 HWH	239-44113-00	239-44113-00	239-44113-00
12	Left Side Inner Door Complete	239-43968-14	239-43968-16	239-43968-18
13	Resettable Thermal Switch	239-43676-02	239-43676-02	239-43676-01
14	Screw-#6-20 x 3/8 PHCR	239-43967-00	239-43967-00	239-43967-00
15	Outer Door	243-43962-00	243-43962-00	243-43962-00
16	Brass Drain Valve	265-42351-02	265-42351-02	265-42351-02
17	Gas Control (Nat. Gas)**	239-47463-01	239-47463-01	239-47463-01
	Gas Control Direct (LP Gas)**	239-47465-01	239-47465-01	239-47465-01
18	Kit-Heat Trap Insert	239-51572-00	239-51572-00	239-51572-00
19	ASSE Approved Mixing Valve (Optional)	239-43740-01	239-43740-01	239-43740-01
20	Inner Door Gasket Kit	239-44078-00	239-44078-00	239-44078-00
	Natural Gas Burner Assembly			
21	Nat Gas Burner Assembly Complete*** **	265-51668-01-39	265-51668-02-35	239-48037-03-35
22	Nat. Gas Burner**	228-42506-00	228-42506-00	228-42506-00
23	Nat. Gas Main Burner Orifice** (0 Ft. to 2,000 Ft.)	234-41034-39	234-41034-35	234-41034-35
	Nat. Gas High Altitude Orifice 0 Ft. to 7,000 Ft. (-475 model suffixes)**	234-41034-43	234-41034-39	234-41034-39
	Nat. Gas High Altitude Kit 7,001 Ft. to 10,000 Ft.	TBD	TBD	TBD
24	Feedline	233-48094-01	233-48094-02	233-48094-03
25	Nat. Gas Pilot Assembly**	233-51586-02	233-51586-02	233-47845-05
	LP Gas Burner Assembly			
26	LP Gas Burner Assembly Complete*** **	265-48038-01-53	265-48038-02-51	265-48038-02-51
27	LP Gas Burner**	228-46964-00	228-46964-00	228-46964-00
28	LP Gas Main Burner Orifice**	234-47064-53	234-47064-52	234-47064-52
	LP Gas High Altitude Orifice 0 Ft. to 7,000 Ft. (-475 model suffixes)**	234-47064-54	234-47064-53	234-47064-53
	LP Gas High Altitude Orifice 7,001 Ft. to 10,000 Ft.**	TBD	TBD	TBD
29	Feedline	233-47108-01	233-47108-02	233-47108-03
30	LP Gas Pilot Assembly**	233-47846-01	233-47846-02	233-47846-02
	LP to Nat. Gas Conversion Kit	265-47452-37	265-47452-39	265-45712-84
	LP to Nat. Gas High Altitude Conversion Kit (-475 model suffixes)	265-47452-38	265-47452-40	265-45712-85

*Applies to all warranties

**Inner door gasket kit recommended

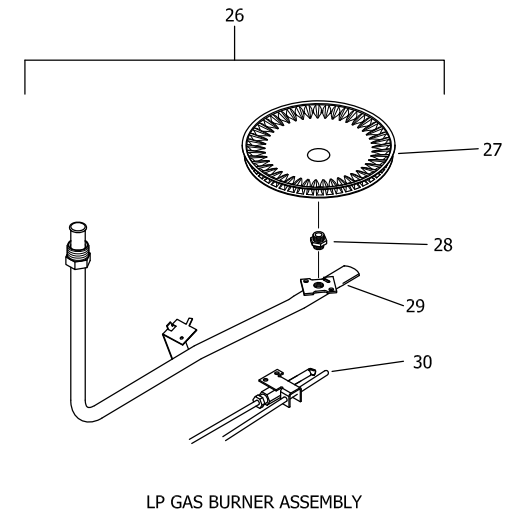
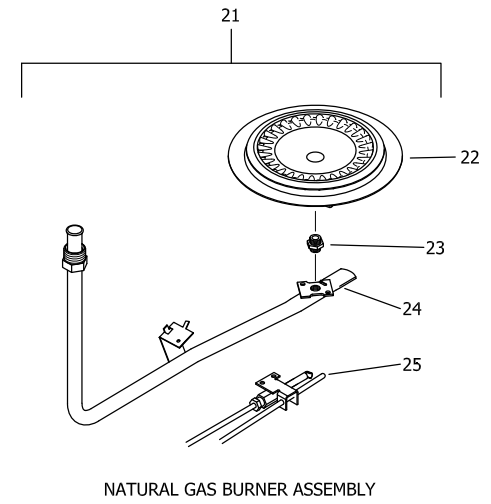
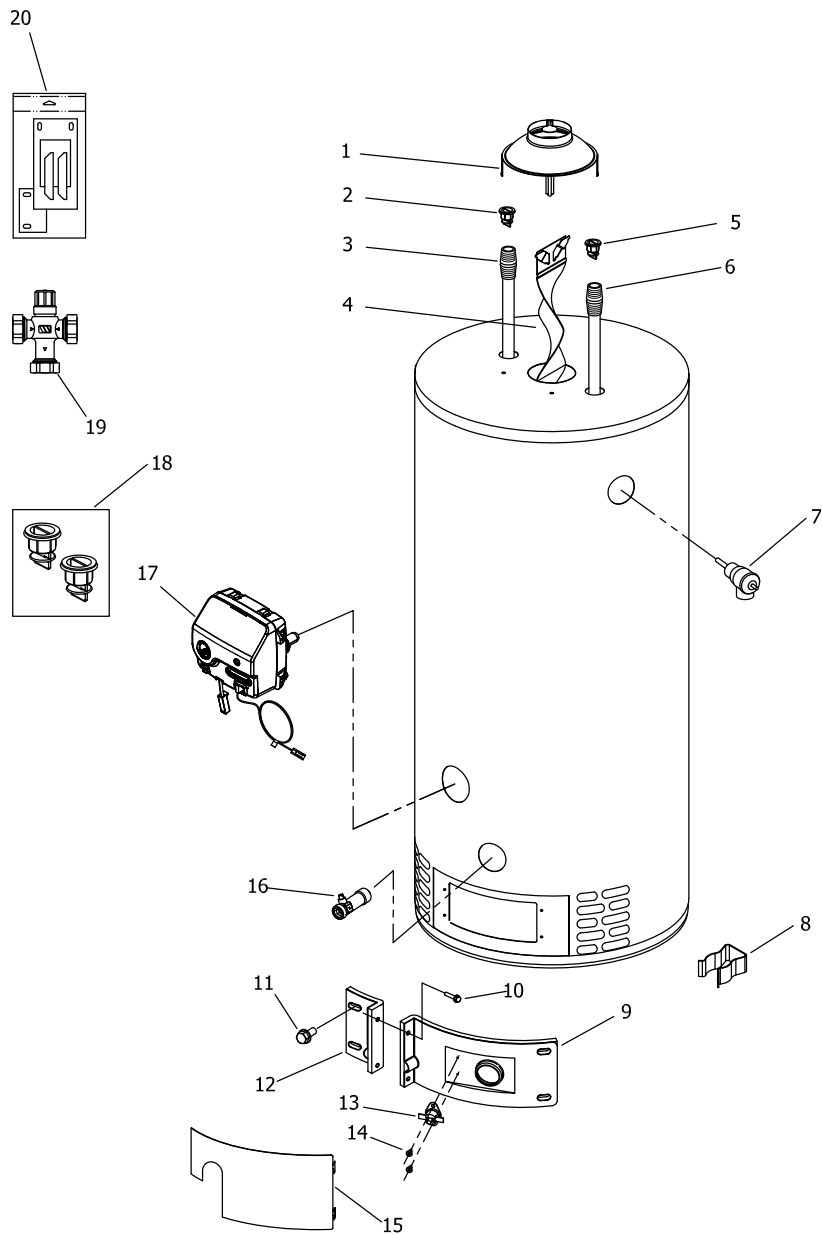
***Ordering a complete burner assembly may increase delivery time.

Please order the specific component required for the quickest delivery.

▲ Order with item 2

▲▲ Order with item 5

Anode may need to be cut to length



Item Description	Model	Model	Model	Model
	RG230S*(N,X)	RG230T*(N,X)	RG240S*(N,X)	RG240T*(N,X)
1 Draft Diverter	243-45787-00	243-45787-00	243-45787-00	243-45787-00
2 Heat Trap Insert (Outlet)	239-45167-00	239-45167-00	239-45167-00	239-45167-00
3 Hot Water Outlet Anode (Magnesium) ▲#	224-47776-19	224-47776-19	224-47776-19	224-47776-19
Hot Water Outlet (Aluminum) ▲#	224-32999-42	224-32999-42	224-32999-42	224-32999-42
Hot Water Outlet (A420 Aluminum) ▲#	224-49560-08	224-49560-08	224-49560-08	224-49560-08
4 Flue Baffle	243-45226-00	243-44639-00	243-50993-00	243-50065-03
5 Heat Trap Insert (Inlet)	239-51556-00	239-51556-00	239-51556-00	239-51556-00
6 Cold Water Inlet Dip Tube (PEX) ▲▲	229-51230-20	229-51230-19	229-51230-24	229-51230-21
7 T&P Relief Valve	230-40594-02	230-40594-02	230-40594-02	230-40594-02
8 Feedline Clip	239-47475-00	239-47475-00	239-47475-00	239-47475-00
9 Right Side Inner Door Complete (Nat. Gas)	239-43963-03	239-43963-02	239-43963-07	239-43963-05
Right Side Inner Door Complete (LP Gas)	239-43963-03	239-43963-02	239-43963-07	239-43963-04
10 Screw-#8-18 x 3/4 HWH	239-44195-00	239-44195-00	239-44195-00	239-44195-00
11 Screw-#10-12 x 3/4 HWH	239-44113-00	239-44113-00	239-44113-00	239-44113-00
12 Left Side Inner Door Complete	239-43968-16	239-43968-14	239-43968-18	239-43968-16
13 Resettable Thermal Switch (Nat. Gas)	239-43676-01	239-43676-03	239-43676-02	239-43676-03
Resettable Thermal Switch (LP Gas)	239-43676-01	239-43676-03	239-43676-02	239-43676-02
14 Screw-#6-20 x 3/8 PHCR	239-43967-00	239-43967-00	239-43967-00	239-43967-00
15 Outer Door	243-43962-00	243-43962-00	243-43962-00	243-43962-00
16 Brass Drain Valve	265-42351-02	265-42351-02	265-42351-02	265-42351-02
17 Gas Control Direct Replacement (Nat. Gas)	239-47463-02	239-47463-02	239-47463-02	239-47463-02
Gas Control Direct Replacement (LP Gas)	239-47465-02	239-47465-02	239-47465-02	239-47465-02
Gas Control Universal Replacement (Nat. Gas)	239-47851-00	239-47851-00	239-47851-00	239-47851-00
Gas Control Universal Replacement (LP Gas)	239-47856-00	239-47856-00	239-47856-00	239-47856-00
18 Kit-Heat Trap Insert	239-51572-00	239-51572-00	239-51572-00	239-51572-00
19 ASSE Approved Mixing Valve (Optional)	239-43740-01	239-43740-01	239-43740-01	239-43740-01
20 Inner Door Gasket Kit	239-44078-00	239-44078-00	239-44078-00	239-44078-00
Natural Gas Burner Assembly				
21 Nat Gas Burner Assembly Complete*** **	265-48037-03-38	265-48037-02-36	265-48037-04-32	265-48037-03-32
22 Nat. Gas Burner**	228-42506-00	228-42506-00	228-42506-00	228-42506-00
23 Nat. Gas Main Burner Orifice** (0 Ft. to 2,000 Ft.)	234-41034-38	234-41034-36	234-41034-32	234-41034-32
Nat. Gas High Altitude Orifice 0 Ft. to 7,000 Ft. (-475 model suffixes) **	234-41034-42	234-41034-41	234-41034-36	234-41034-36
Nat. Gas High Altitude Kit 7,001 Ft. to 10,000 Ft.	265-51311-02-44	265-51311-02-43	265-51311-02-40	265-51311-02-40
24 Feedline	233-48094-03	233-48094-02	233-48094-04	233-48094-03
25 Nat. Gas Pilot Assembly**	233-47845-05	233-47845-05	233-47845-05	233-47845-05
LP Gas Burner Assembly				
26 LP Gas Burner Assembly Complete*** **	265-48038-03-53	265-48038-02-60	265-48038-04-50	265-48038-03-52
27 LP Gas Burner**	228-46964-00	228-46964-00	228-46964-00	228-46964-00
28 LP Gas Main Burner Orifice**	234-47064-53	234-47064-60	234-47064-50	234-47064-52
LP Gas High Altitude Orifice 0 Ft. to 7,000 Ft. (-475 model suffixes) **	234-47064-54	234-47064-54	234-47064-52	234-47064-53
LP Gas High Altitude Orifice 7,001 Ft. to 10,000 Ft.**	265-51367-02-56	265-51367-02-54	265-51367-02-53	265-51367-02-54
29 Feedline	233-47108-03	233-47108-02	233-47108-04	233-47108-03
30 LP Gas Pilot Assembly**	233-47846-05	233-47846-05	233-47846-05	233-47846-05
LP to Nat. Gas Conversion Kit	265-45712-72	265-45712-09	265-45712-75	265-45712-10
LP to Nat. Gas High Altitude Conversion Kit (-475 model suffixes)	265-45712-73	265-45712-74	265-45712-76	265-45712-77

*Applies to all warranties

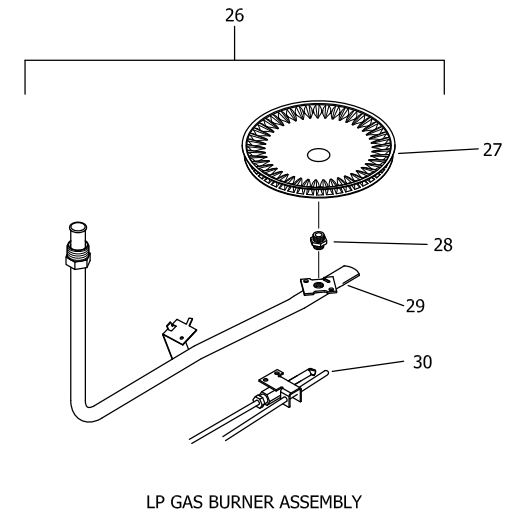
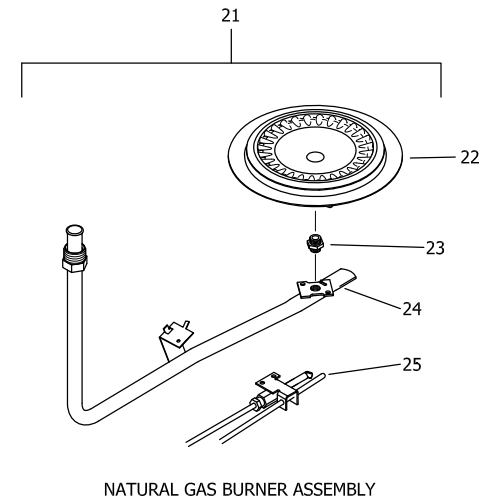
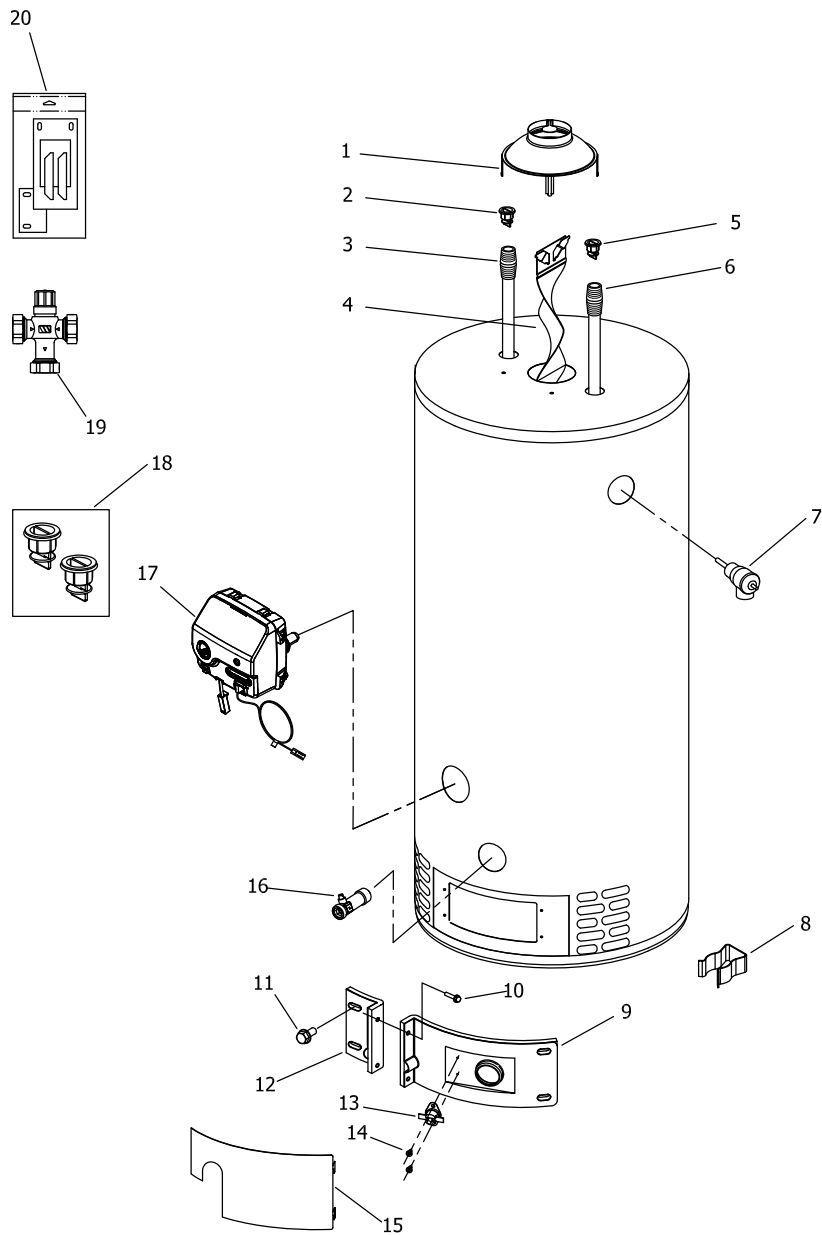
**Inner door gasket kit recommended

***Ordering a complete burner assembly may increase delivery time.
Please order the specific component required for the quickest delivery.

▲ Order with item 2

▲▲ Order with item 5

Anode may need to be cut to length



Item	Description	Model	Model	Model
		RG250L*(N,X)	RG250S*(N,X)	RG250T*(N,X)
1	Draft Diverter	243-45787-00	239-33081-02-20-15	243-45787-00
2	Heat Trap Insert (Outlet)	239-45167-00	239-45167-00	239-45167-00
3	Hot Water Outlet Anode (Magnesium) ▲#	224-47776-19	224-47776-19	224-47776-19
	Hot Water Outlet (Aluminum) ▲#	224-32999-42	224-32999-42	224-32999-42
	Hot Water Outlet (A420 Aluminum) ▲#	224-49560-08	224-49560-08	224-49560-08
4	Flue Baffle	243-45223-00	243-45225-00	243-44705-00
5	Heat Trap Insert (Inlet)	239-51556-00	239-51556-00	239-51556-00
6	Cold Water Inlet Dip Tube (PEX)▲▲	229-51230-16	229-51230-14	229-51230-18
7	T&P Relief Valve	230-40594-02	230-40594-02	230-40594-02
8	Feedline Clip	239-47475-00	239-47475-00	239-47475-00
9	Right Side Inner Door Complete	239-43963-09	239-43963-06	239-43963-07
10	Screw-#8-18 x 3/4 HWH	239-44195-00	239-44195-00	239-44195-00
11	Screw-#10-12 x 3/4 HWH	239-44113-00	239-44113-00	239-44113-00
12	Left Side Inner Door Complete	239-43968-20	239-43968-18	239-43968-18
13	Resettable Thermal Switch	239-43676-01	239-43676-01	239-43676-02
14	Screw-#6-20 x 3/8 PHCR	239-43967-00	239-43967-00	239-43967-00
15	Outer Door	243-43962-00	243-43962-00	243-43962-00
16	Brass Drain Valve	265-42351-02	265-42351-02	265-42351-02
17	Gas Control Direct Replacement (Nat. Gas)	239-47463-02	239-47463-02	239-47463-02
	Gas Control Direct Replacement (LP Gas)	239-47465-02	239-47465-02	239-47465-02
	Gas Control Universal Replacement (Nat. Gas)	239-47851-00	239-47851-00	239-47851-00
	Gas Control Universal Replacement (LP Gas)	239-47856-00	239-47856-00	239-47856-00
18	Kit-Heat Trap Insert	239-51572-00	239-51572-00	239-51572-00
19	ASSE Approved Mixing Valve (Optional)	239-43740-01	239-43740-01	239-43740-01
20	Inner Door Gasket Kit	239-44078-00	239-44078-00	239-44078-00
Natural Gas Burner Assembly				
21	Nat Gas Burner Assembly Complete*** **	265-48037-05-32	265-48037-04-30	265-48037-04-32
22	Nat. Gas Burner**	228-42506-00	228-42506-00	228-42506-00
23	Nat. Gas Main Burner Orifice** (0 Ft. to 2,000 Ft.)	234-41034-32	234-41034-30	234-41034-32
	Nat. Gas High Altitude Orifice 0 Ft. to 7,000 Ft. (-475 model suffixes) **	234-41034-36	234-41034-32	234-41034-36
	Nat. Gas High Altitude Kit 7,001 Ft. to 10,000 Ft.	265-51311-02-40	265-51311-02-35	265-51311-02-40
24	Feedline	233-48094-05	233-48094-04	233-48094-04
25	Nat. Gas Pilot Assembly**	233-47845-05	233-47845-05	233-47845-05
LP Gas Burner Assembly				
26	LP Gas Burner Assembly Complete*** **	265-48038-05-50	265-48039-03-47	265-48038-04-51
27	LP Gas Burner**	228-46964-00	228-47000-00	228-46964-00
28	LP Gas Main Burner Orifice**	234-47064-50	234-47064-47	234-47064-51
	LP Gas High Altitude Orifice 0 Ft. to 7,000 Ft. (-475 model suffixes) **	234-47064-52	234-47064-50	234-47064-53
	LP Gas High Altitude Orifice 7,001 Ft. to 10,000 Ft.**	265-51367-02-53	265-51367-02-51	265-51367-02-54
29	Feedline	233-47108-05	243-48039-03	233-47108-04
30	LP Gas Pilot Assembly**	233-47846-05	233-47846-05	233-47846-05
	LP to Nat. Gas Conversion Kit	265-45712-78	265-45712-80	265-45712-75
	LP to Nat. Gas High Altitude Conversion Kit (-475 model suffixes)	265-45712-79	265-45712-81	265-45712-76

*Applies to all warranties

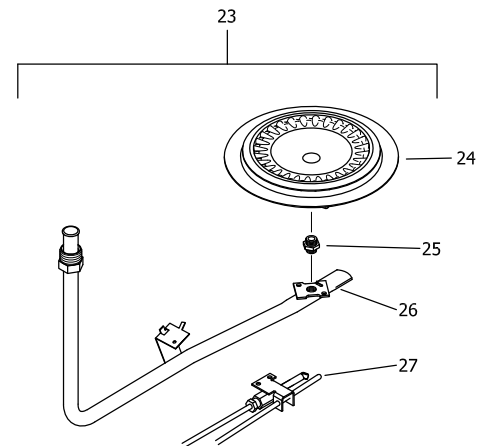
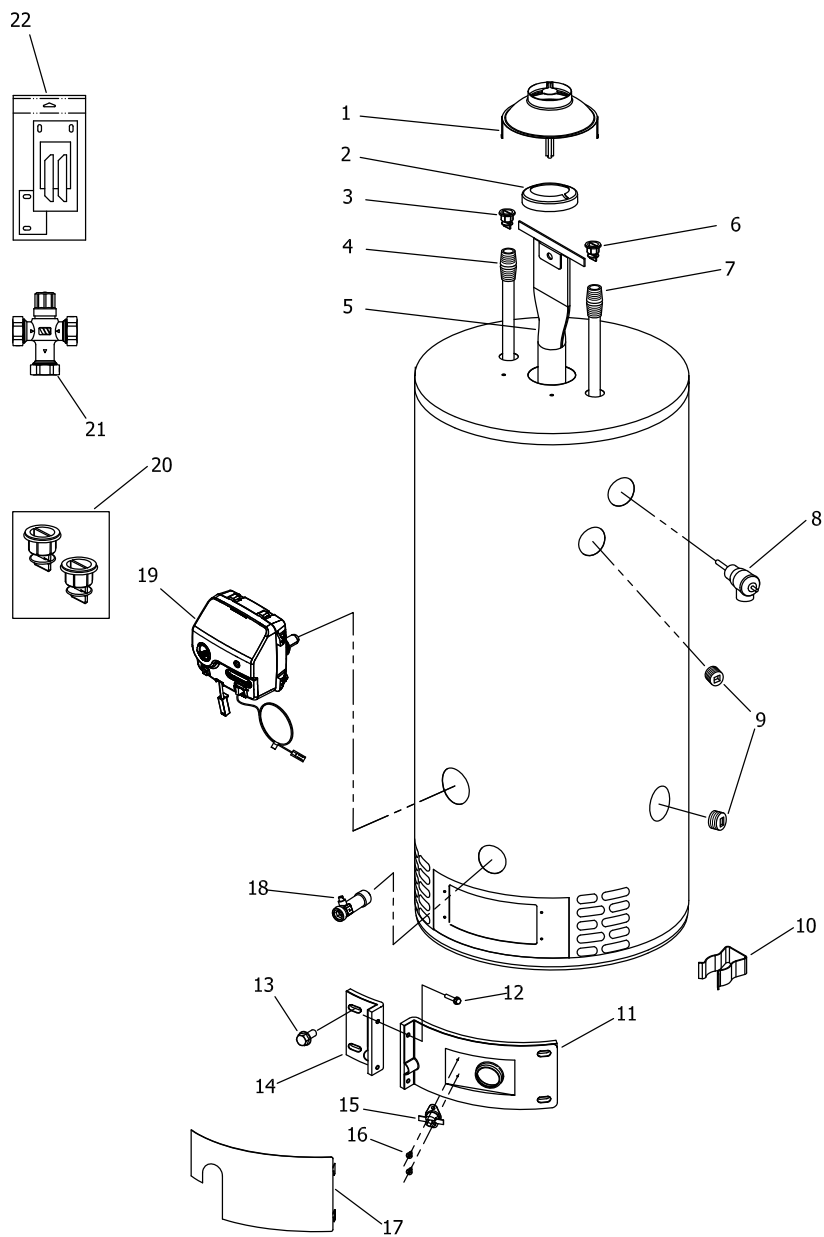
**Inner door gasket kit recommended

***Ordering a complete burner assembly may increase delivery time.
Please order the specific component required for the quickest delivery.

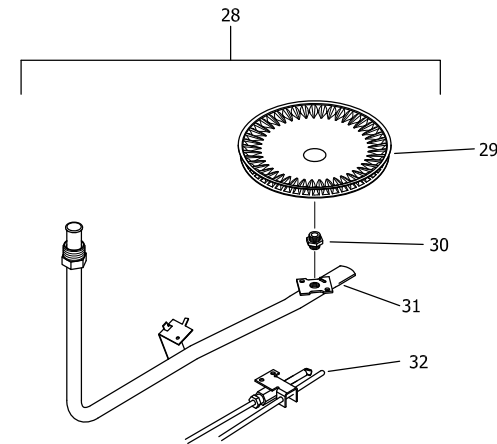
▲ Order with item 2

▲▲ Order with item 5

#Anode may need to be cut to length



NATURAL GAS BURNER ASSEMBLY



LP GAS BURNER ASSEMBLY

Item	Description	Model	Model
		RG250H*(N,X)	LG250H65*(N,X)
1	Draft Diverter	239-33081-02-20-15	239-33081-02-20-15
2	Flue Reducer	243-42572-00	243-42572-00
3	Heat Trap Insert (Outlet)	239-45167-00	239-45167-00
4	Hot Water Outlet Anode (Magnesium)▲#	224-47776-19	224-47776-19
	Hot Water Outlet (Aluminum)▲#	224-32999-42	224-32999-42
	Hot Water Outlet (A420 Aluminum)▲#	224-49560-08	224-49560-08
5	Flue Core	239-50666-00	239-50666-00
6	Heat Trap Insert (Inlet)	239-51556-00	239-51556-00
7	Cold Water Inlet Dip Tube (PEX)▲▲	229-51230-20	229-51230-29
8	T&P Relief Valve	230-40594-02	230-40594-02
9	3/4 NPT Plug	239-11638-00	239-11638-00
10	Feedline Clip	239-47475-00	239-47475-00
11	Right Side Inner Door Complete	239-43963-07	239-43963-07
12	Screw-#8-18 x 3/4 HWH	239-44195-00	239-44195-00
13	Screw-#10-12 x 3/4 HWH	239-44113-00	239-44113-00
14	Left Side Inner Door Complete	239-43968-18	239-43968-18
15	Resettable Thermal Switch	239-43676-02	239-43676-02
16	Screw-#6-20 x 3/8 PHCR	239-43967-00	239-43967-00
17	Outer Door	243-43962-00	243-43962-00
18	Brass Drain Valve	265-42351-02	265-42351-02
19	Gas Control Direct Replacement (Nat. Gas)	239-47463-02	239-47464-02
	Gas Control Direct Replacement (LP Gas)	239-47465-02	239-47466-02
	Gas Control Universal Replacement (Nat. Gas)	239-47851-00	239-47857-00
	Gas Control Universal Replacement (LP Gas)	239-47856-00	239-47858-00
20	Kit-Heat Trap Insert	239-51572-00	239-51572-00
21	ASSE Approved Mixing Valve (Optional)	239-43740-01	239-43740-01
22	Inner Door Gasket Kit	239-44078-00	239-44078-00
Natural Gas Burner Assembly			
23	Nat Gas Burner Assembly Complete*** **	265-48037-04-27	265-48037-04-27
24	Nat. Gas Burner**	228-42506-00	228-42506-00
25	Nat. Gas Main Burner Orifice** (0 Ft. to 2,000 Ft.)	234-41034-27	234-41034-27
	Nat. Gas High Altitude Orifice 0 Ft. to 7000 Ft. (-475 model suffixes) **	234-41034-30	234-41034-30
	Nat. Gas High Altitude Kit 7,001 Ft. to 10,000 Ft.	265-51311-02-31	265-51311-02-31
26	Feedline	233-48094-04	233-48094-04
27	Nat. Gas Pilot Assembly**	233-47845-05	233-47845-05
LP Gas Burner Assembly			
28	LP Gas Burner Assembly Complete*** **	265-48039-03-43	265-48039-03-43
29	LP Gas Burner**	228-47000-00	228-47000-00
30	LP Gas Main Burner Orifice**	234-47064-43	234-47064-43
	LP Gas High Altitude Orifice 0 Ft. to 7,000 Ft. (-475 model suffixes) **	234-47064-46	234-47064-46
	LP Gas High Altitude Orifice 7,001 Ft. to 10,000 Ft.**	265-51367-02-48	265-51367-02-48
31	Feedline	233-47108-04	233-47108-04
32	LP Gas Pilot Assembly**	233-47846-05	233-47846-04
	LP to Nat. Gas Conversion Kit	265-45712-82	265-45712-82
	LP to Nat. Gas High Altitude Conversion Kit (-475 model suffixes)	265-45712-83	265-45712-83

*Applies to all warranties

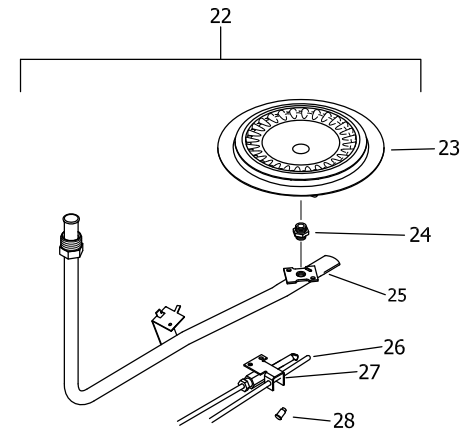
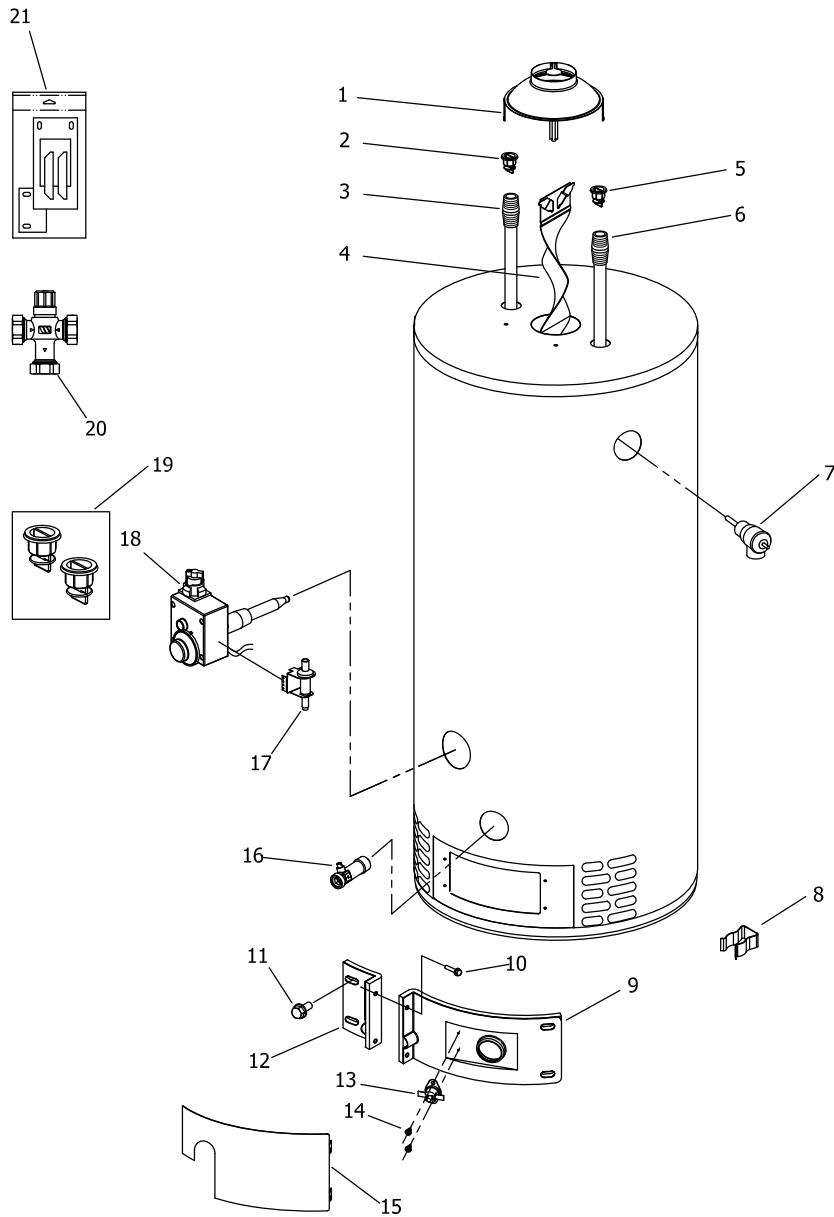
**Inner door gasket kit recommended

***Ordering a complete burner assembly may increase delivery time.
Please order the specific component required for the quickest delivery.

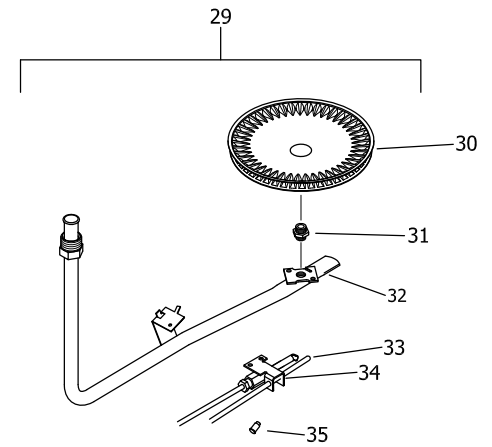
▲ Order with item 3

▲▲ Order with item 6

#Anode may need to be cut to length



NATURAL GAS (BN) BURNER ASSEMBLY



LP GAS (SX) BURNER ASSEMBLY

Item	Description	Model	Model	Model	Model
		RG230S*(N,X)-500	RG230T*(N,X)-500	RG240S*(N,X)-500	RG240T*(N,X)-500
1	Draft Diverter	243-45787-00	243-45787-00	243-45787-00	243-45787-00
2	Heat Trap Insert (Outlet)	239-45167-00	239-45167-00	239-45167-00	239-45167-00
3	Hot Water Outlet Anode (Magnesium)▲#	224-47776-19	224-47776-19	224-47776-19	224-47776-19
	Hot Water Outlet (Aluminum)▲#	224-32999-42	224-32999-42	224-32999-42	224-32999-42
	Hot Water Outlet (A420 Aluminum)▲#	224-49560-08	224-49560-08	224-49560-08	224-49560-08
4	Flue Baffle	243-45226-00	243-44639-00	243-50993-00	243-50065-03
5	Heat Trap Insert (Inlet)	239-51556-00	239-51556-00	239-51556-00	239-51556-00
6	Cold Water Inlet Dip Tube (PEX)▲▲	229-51230-20	229-51230-19	229-51230-24	229-51230-21
7	T&P Relief Valve	230-40594-02	230-40594-02	230-40594-02	230-40594-02
8	Feedline Clip	239-47475-00	239-47475-00	239-47475-00	239-47475-00
9	Right Side Inner Door Complete (Nat. Gas)	239-43963-03	239-43963-02	239-43963-07	239-43963-05
	Right Side Inner Door Complete (LP Gas)	239-43963-03	239-43963-02	239-43963-07	239-43963-04
10	Screw-#8-18 x 3/4 HWH	239-44195-00	239-44195-00	239-44195-00	239-44195-00
11	Screw-#10-12 x 3/4 HWH	239-44113-00	239-44113-00	239-44113-00	239-44113-00
12	Left Side Inner Door Complete	239-43968-16	239-43968-14	239-43968-18	239-43968-16
13	Resettable Thermal Switch (Nat. Gas)	239-43676-01	239-43676-03	239-43676-02	239-43676-03
	Resettable Thermal Switch (LP Gas)	239-43676-01	239-43676-03	239-43676-02	239-43676-03
14	Screw-#6-20 x 3/8 PHCR	239-43967-00	239-43967-00	239-43967-00	239-43967-00
15	Outer Door	243-43962-00	243-43962-00	243-43962-00	243-43962-00
16	Brass Drain Valve	265-42351-02	265-42351-02	265-42351-02	265-42351-02
17	Piezo Igniter Kit	243-43450-00	243-43450-00	243-43450-00	243-43450-00
18	T-Stat Direct Replacement (Natural Gas)	265-46181-02	265-46181-02	265-46181-02	265-46181-02
	T-Stat Direct Replacement (LP Gas)	265-46182-02	265-46182-02	265-46182-02	265-46182-02
19	Kit-Heat Trap Insert	239-51572-00	239-51572-00	239-51572-00	239-51572-00
20	ASSE Approved Mixing Valve (Optional)	239-43740-01	239-43740-01	239-43740-01	239-43740-01
21	Inner Door Gasket Kit	239-44078-00	239-44078-00	239-44078-00	239-44078-00
Natural Gas Burner Assembly					
22	Nat Gas Burner Assembly Complete*** **	265-43971-03-38	265-43971-02-36	265-43971-04-32	265-43971-03-32
23	Nat. Gas Burner**	228-42506-00	228-42506-00	228-42506-00	228-42506-00
24	Nat. Gas Main Burner Orifice**	234-41034-38	234-41034-36	234-41034-32	234-41034-32
25	Feedline	233-48094-03	233-48094-02	243-43971-04	233-48094-03
26	Pilot Assembly Thermocouple	233-46501-24	233-46501-24	233-46501-24	233-46501-24
27	Nat. Gas Pilot Assembly**	233-46277-06	233-46277-06	233-46277-06	233-46277-06
28	Nat. Pilot Assembly Orifice	234-46502-05	234-46502-05	234-46502-05	234-46502-05
LP Gas Burner Assembly					
29	LP Gas Burner Assembly Complete*** **	265-47115-03-54	265-47115-02-60	265-48038-04-50	265-47115-03-52
30	LP Gas Burner**	228-46964-00	228-46964-00	228-46964-00	228-46964-00
31	LP Gas Main Burner Orifice**	234-47064-55	234-47064-60	234-47064-50	234-47064-52
32	Feedline	233-47108-03	233-47108-02	233-47108-04	233-47108-03
33	Pilot Assembly Thermocouple	233-46501-24	233-46501-24	233-46501-24	233-46501-24
34	LP Gas Pilot Assembly**	233-46278-04	233-46278-04	233-47846-07	233-46278-04
35	LP Pilot Assembly Orifice	234-46502-02	234-46502-02	234-46502-02	234-46502-02

*Applies to all warranties

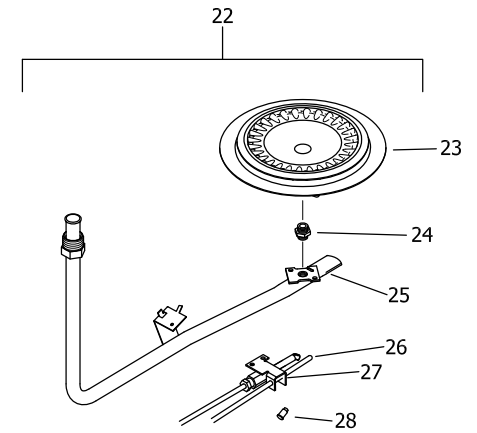
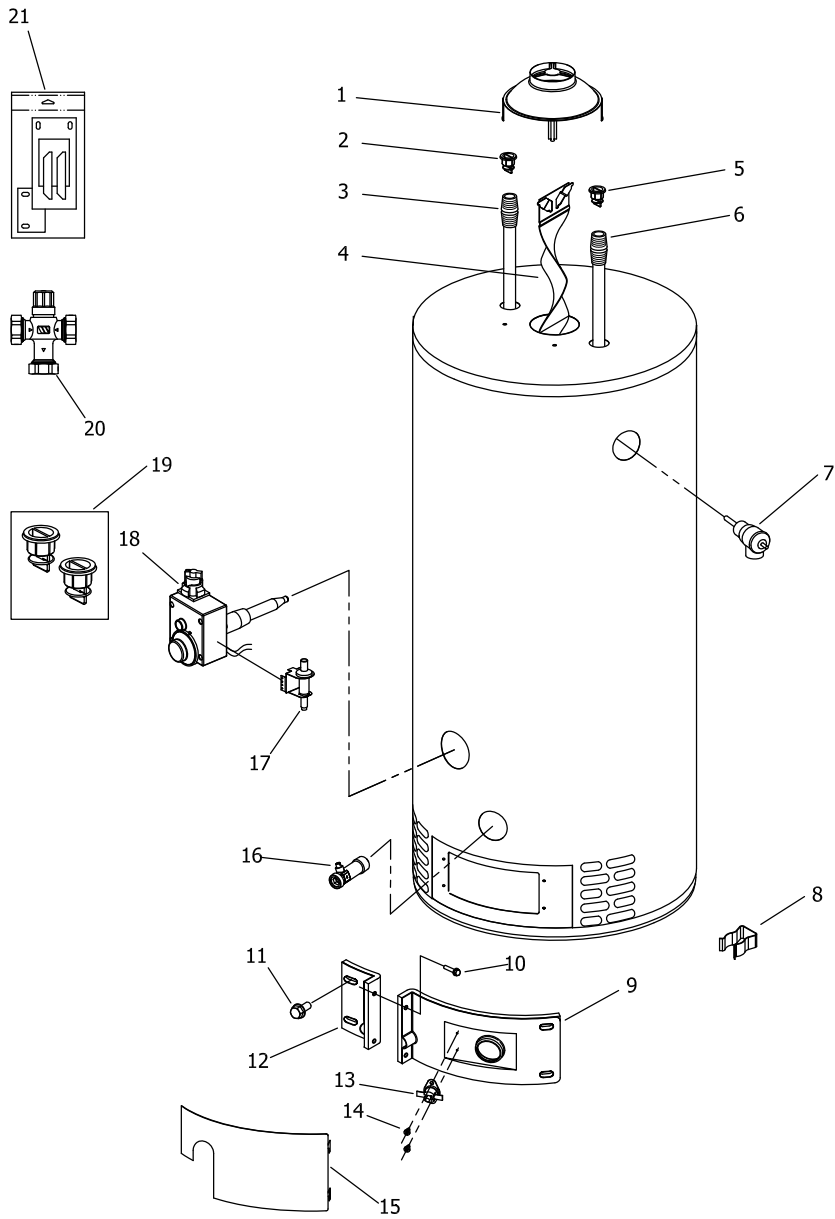
**Inner door gasket kit recommended

***Ordering a complete burner assembly may increase delivery time.
Please order the specific component required for the quickest delivery.

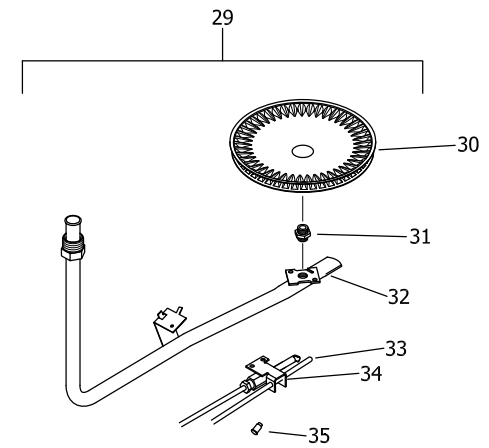
▲ Order with item 2

▲▲ Order with item 5

#Anode may need to be cut to length



NATURAL GAS (BN) BURNER ASSEMBLY



LP GAS (SX) BURNER ASSEMBLY

Item	Description	Model	Model	Model
		RG250L*(N,X)-500	RG250S*(N,X)-500	RG250T*(N,X)-500
1	Draft Diverter	243-45787-00	239-33081-02-20-15	243-45787-00
2	Heat Trap Insert (Outlet)	239-45167-00	239-45167-00	239-45167-00
3	Hot Water Outlet Anode (Magnesium) ▲#	224-47776-19	224-47776-19	224-47776-19
	Hot Water Outlet (Aluminum) ▲#	224-32999-42	224-32999-42	224-32999-42
	Hot Water Outlet (A420 Aluminum) ▲#	224-49560-08	224-49560-08	224-49560-08
4	Flue Baffle	243-45223-00	243-45225-00	243-44705-00
5	Heat Trap Insert (Inlet)	239-51556-00	239-51556-00	239-51556-00
6	Cold Water Inlet Dip Tube (PEX) ▲▲	229-51230-20	229-51230-14	229-51230-18
7	T&P Relief Valve	230-40594-02	230-40594-02	230-40594-02
8	Feedline Clip	239-47475-00	239-47475-00	239-47475-00
9	Right Side Inner Door Complete	239-43963-09	239-43963-06	239-43963-07
10	Screw-#8-18 x 3/4 HWH	239-44195-00	239-44195-00	239-44195-00
11	Screw-#10-12 x 3/4 HWH	239-44113-00	239-44113-00	239-44113-00
12	Left Side Inner Door Complete	239-43968-20	239-43968-18	239-43968-18
13	Resettable Thermal Switch	239-43676-01	239-43676-01	239-43676-02
14	Screw-#6-20 x 3/8 PHCR	239-43967-00	239-43967-00	239-43967-00
15	Outer Door	243-43962-00	243-43962-00	243-43962-00
16	Brass Drain Valve	265-42351-02	265-42351-02	265-42351-02
17	Piezo Igniter Kit	243-43450-00	243-43450-00	243-43450-00
18	T-Stat Direct Replacement (Natural Gas)	265-46181-02	265-46181-02	265-46181-02
	T-Stat Direct Replacement (LP Gas)	265-46182-02	265-46182-02	265-46182-02
19	Kit-Heat Trap Insert	239-51572-00	239-51572-00	239-51572-00
20	ASSE Approved Mixing Valve (Optional)	239-43740-01	239-43740-01	239-43740-01
21	Inner Door Gasket Kit	239-44078-00	239-44078-00	239-44078-00
	Natural Gas Burner Assembly			
22	Nat Gas Burner Assembly Complete*** **	265-43971-06-32	265-43971-04-30	265-43971-04-32
23	Nat. Gas Burner**	228-42506-00	228-42506-00	228-42506-00
24	Nat. Gas Main Burner Orifice**	234-41034-32	234-41034-30	234-41034-32
25	Feedline	233-48094-05	233-48094-04	233-48094-04
26	Pilot Assembly Thermopile	233-46501-24	233-46501-24	233-46501-24
27	Nat. Gas Pilot Assembly**	233-46277-04	233-46277-04	233-46277-04
28	Pilot Assembly Orifice	234-46502-05	234-46502-05	234-46502-05
	LP Gas Burner Assembly			
29	LP Gas Burner Assembly Complete*** **	265-48038-05-50	265-47118-03-47	265-47115-04-51
30	LP Gas Burner**	228-46964-00	228-47000-00	228-46964-00
31	L.P. Gas Main Burner Orifice**	234-47064-50	234-47064-47	234-47064-51
32	Feedline	233-47108-05	233-47108-04	233-47108-04
33	Pilot Assembly Thermopile	233-46501-24	233-46501-24	233-46501-24
34	LP Gas Pilot Assembly**	233-46278-03	233-46278-03	233-46278-03
35	Pilot Assembly Orifice	234-46502-02	234-46502-02	234-46502-02

*Applies to all warranties

**Inner door gasket kit recommended

***Ordering a complete burner assembly may increase delivery time.
Please order the specific component required for the quickest delivery.

▲ Order with item 2

▲▲ Order with item 5

#Anode may need to be cut to length



BRADFORD WHITE[®]

W A T E R H E A T E R S

Ambler, PA

For U.S. and Canada field service,
contact your professional installer or
local Bradford White sales representative.

Sales/800-523-2931

Fax/215-641-1670

Parts Fax/215-641-2180

Technical Support/800-334-3393

Fax/269-795-1089

Warranty/800-531-2111

Fax/269-795-1089

International:

Telephone/215-641-9400

Telefax/215-641-9750



BRADFORD WHITE-CANADA[®] INC.

Mississauga, ON

Sales/866-690-0961

905-238-0100

Fax/905-238-0105

Technical Support/800-334-3393

Email

parts@bradfordwhite.com

techserv@bradfordwhite.com

www.bradfordwhite.com