

ElectriFLEX HD™ (Heavy Duty) Commercial Electric Water Heater



Photo is of
CEHD50(kW)3*CF

Bradford White ElectriFLEX HD™ Electric Models Feature:

- **Immersion Thermostats** —Designed to provide outlet water at a thermostatically controlled temperature greater than 180°F (82°C).
- **Conversion Kits**—Design certified by ETL for field conversion. Conversion kits are available to convert any one model to a variety of voltages and kW inputs (Kit part numbers on reverse side). All models are shipped from the factory standard Three Phase, and can be field converted to Single Phase without a conversion kit.
- **Insulation System**—3" (76mm) Non-CFC foam covers the sides and top of the tank, reducing heat loss. This results in less energy consumption, improved efficiencies, and jacket rigidity.
- **Factory Installed Hydrojet® Sediment Reduction System**—Sediment build-up reducing device that also increases first hour delivery of hot water while minimizing temperature build-up in tank.
- **Vitraglas® Lining**—An exclusively engineered enamel formula that provides superior tank protection from the highly corrosive effects of hot water. This formula (Vitraglas®) is fused to the steel surface by firing at a temperature of over 1600°F (871°C).
- **Water Connections**—1½" (38mm) NPT factory-installed true dielectric fittings extend water heater life and simplify water line connections.
- **Elements**—Screw in style low watt density incoloy sheathed elements standard. These elements are durable and resistant to lime buildup.
- **Two Protective Magnesium Anode Rods**—Provide added protection against corrosion for long-term, trouble-free service.
- **Hand Hole Cleanout**—Allows inspection of tank interior and facilitates the removal of sediment deposits.
- **ASME Construction Available.**
- **NSF Kits Available.**
- **Low Restrictive Brass Drain Valve**—Durable tamper proof design.
- **T&P Relief Valve**—Installed.
- **Completely Pre-wired**—With pressure lug terminal block eliminating need for splicing or taping of wires.
- **Voltages Available**—208v, 240v, 277v, 380v, 415v, 480v and 600v.
- **Internal Fusing**—Standard on all models.



3 or 5-Year Limited Tank Warranties / 1-Year Limited Warranty on Component Parts.

For more information on warranty, please visit www.bradfordwhite.com

For products installed in USA, Canada, and Puerto Rico. Some states do not allow limitations on warranties.

See complete copy of the warranty included with the heater.

Commercial Electric Water Heater

ElectriFLEX HD™ Electric Models

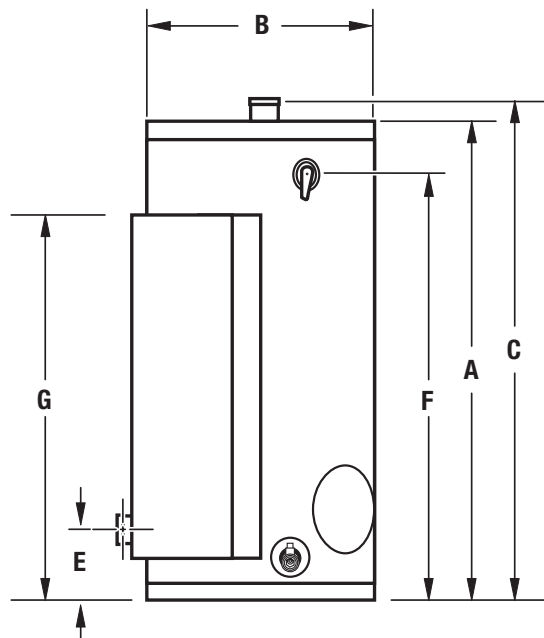
Meet or exceed ASHRAE 90.1b (current standard) C.E.C. Listed

Model Number	Nominal Gal. Capacity		Min. - Max. kW Input Range	A Floor to Top of Heater	B Jacket Dia.	C Floor to Hot Water Conn.	E Floor to C/L of Cold Water Conn.	F Floor to T&P Conn.	G Floor to Top of Control Box in.	J C/L of Hot Water Conn.	Water Conn. NPT	Approx Shipping Weight lbs.	
	U.S. Gal.	Imp. Gal.		in.	in.	in.	in.	in.	in.	in.		Std.	ASME
CEHD50(A)(kW)3*CF	50	42	13.5 - 54	50 7/16	24	52 5/8	6 15/16	40 11/16	49 1/8	12	1 1/2	270	302
CEHD80(A)(kW)3*CF	80	67	13.5 - 54	61 1/4	26	65 1/2	7	52 9/16	49 1/8	13	1 1/2	335	378
CEHD120(A)(kW)3*CF	119	100	13.5 - 54	64 11/16	30 1/4	66 3/4	6 15/16	54 3/4	50 9/8	15 1/8	1 1/2	430	485

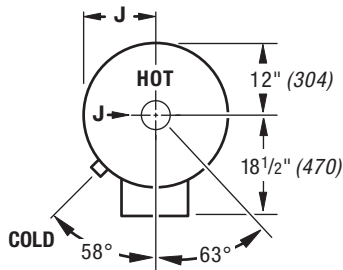
Model Number	Nominal Liter Capacity	Min. - Max. kW Input Range	A Floor to Top of Heater	B Jacket Dia.	C Floor to Hot Water Conn.	E Floor to C/L of Cold Water Conn.	F Floor to T&P Conn.	G Floor to Top of Control Box mm.	J C/L of Hot Water Conn.	Water Conn. NPT	Approx Shipping Weight kg.	
			mm.	mm.	mm.	mm.	mm.	mm.	mm.		mm.	Std.
CEHD50(A)(kW)3*CF	189	13.5 - 54	1281	610	1337	176	1033	1248	308	38	122	137
CEHD80(A)(kW)3*CF	303	13.5 - 54	1556	660	1664	178	1326	1248	330	38	152	171
CEHD120(A)(kW)3*CF	450	13.5 - 54	1643	768	1695	176	1391	1337	384	38	195	220

* = voltage and phase designator. Voltage and phase must be specified when ordering. Example: CEHD50243*CF, 240 Volt, 3 phase.

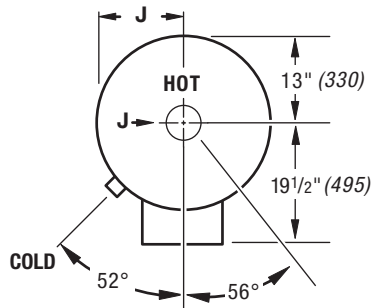
(A) ASME Construction available. For ASME construction add "A" to the model number. Example: CEHD50A243*CF.



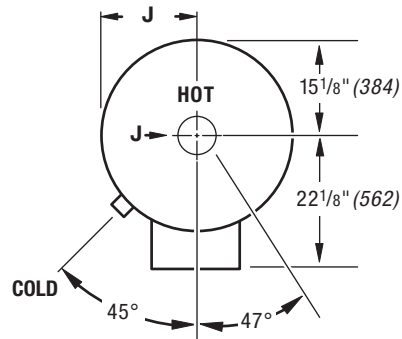
(mm) CEHD50(A)



CEHD80(A)



CEHD120(A)



Commercial Electric Water Heater

Model	Desired Input		Conversion Kit Part Numbers***						
	Total kW	Element kW	208 Volts	240 Volts	277 Volts	380 Volts	415 Volts	480 Volts	600 Volts*
CEHD with 3 Elements	13.5	4.5	415-51043-129	415-51043-64	415-51043-114	415-51043-105	415-51043-95	415-51043-86	415-51043-04
	15	5	415-51043-130	415-51043-122	415-51043-115	415-51043-106	415-51043-96	415-51043-87	415-51043-05
	18	6	415-51043-131	415-51043-123	415-51043-116	415-51043-107	415-51043-97	415-51043-88	415-51043-06
CEHD with 6 Elements	24	4	415-51043-132	415-51043-67	415-51043-55	415-51043-108	415-51043-98	415-51043-89	415-51043-07
	27	4.5	415-51043-133	415-51043-68	415-51043-117	415-51043-109	415-51043-99	415-51043-89	415-51043-08
	30	5	415-51043-134	415-51043-124	415-51043-118	415-51043-110	415-51043-100	415-51043-90	415-51043-09
	36	6	415-51043-135	415-51043-125	415-51043-119	415-51043-111	415-51043-101	415-51043-91	415-51043-10
CEHD with 9 Elements	45	5	415-51043-136	415-51043-126	415-51043-120	415-51043-112	415-51043-110	415-51043-92	415-51043-11
	54	6	415-51043-137**	415-51043-127	415-51043-121	415-51043-113	415-51043-103	415-51043-93	415-51043-12

3 element models may convert 13.5kW thru 18kW ONLY

6 element models may convert 24kW thru 36kW ONLY

9 element models may convert 45kW thru 54kW ONLY

*** Converting 3 Element Configurations (13.5-18kW)			*** Converting 6 or 9 element configurations (24-54kW)		
From	To	Transformer Required	From	To	Transformer Required
208/240/480 Volt	277/380/415 Volt	264-41994-02	208/240/480 Volt	277/380/415 Volt	264-41995-02
277/380/415 Volt	208/240/480 Volt	264-41994-01	277/380/415 Volt	208/240/480 Volt	264-41995-01
208/240/480 Volt	208/240/480 Volt	No Transformer Change Required	208/240/480 Volt	208/240/480 Volt	No Transformer Change Required
277/380/415 Volt	277/380/415 Volt	No Transformer Change Required	277/380/415 Volt	277/380/415 Volt	No Transformer Change Required

* Only kW conversion is allowed for models rated 600V. Models rated 480V and below must not be converted to 600V.

** Only available as a three phase conversion kit.

Input kW	Recovery GPH Temperature Rise °F								
	40	50	60	70	80	90	100	120	140
13.5	140	112	93	80	70	62	56	47	40
15	155	124	103	89	78	69	62	52	44
18	186	149	124	106	93	83	74	62	53
24	248	199	164	142	124	110	99	83	71
27	279	223	186	160	140	124	112	93	80
30	310	248	207	177	155	138	124	103	89
36	372	298	248	213	186	165	149	124	106
45	465	372	310	266	233	207	186	155	133
54	558	447	372	319	279	248	223	186	160

Input kW	Recovery LPH Temperature Rise °C								
	23	28	34	40	45	50	56	67	78
13.5	530	424	352	303	265	235	212	178	151
15	587	469	390	337	295	261	235	197	167
18	704	564	469	401	352	314	280	235	201
24	939	753	621	538	469	416	375	314	269
27	1056	844	704	606	530	469	424	352	303
30	1173	939	784	670	587	522	469	390	337
36	1408	1128	939	806	704	625	564	469	401
45	1760	1408	1173	1007	882	784	704	587	503
54	2112	1692	1408	1208	1056	939	844	704	606

Number of Elements														
Input kW	208V Phase		240V Phase		277V Phase		380V Phase		415V Phase		480V Phase		600V Phase	
	1	3	1	3	1	3	1	3	1	3	1	3	1	3
13.5	3	3	3	3	3	3	3	3	3	3	3	3	3	3
15	3	3	3	3	3	3	3	3	3	3	3	3	3	3
18	3	3	3	3	3	3	3	3	3	3	3	3	3	3
24	6	6	6	6	6	6	6	6	6	6	6	6	6	6
27	6	6	6	6	6	6	6	6	6	6	6	6	6	6
30	6	6	6	6	6	6	6	6	6	6	6	6	6	6
36	6	6	6	6	6	6	6	6	6	6	6	6	6	6
45	9	9	9	9	9	9	9	9	9	9	9	9	9	9
54	9	9	9	9	9	9	9	9	9	9	9	9	9	9

Full Load Current Amperes																						
Input kW	208V Phase			240V Phase			277V Phase			380V Phase			415V Phase			480V Phase			600V Phase			
	1	3	3	1	3	3	1	3	3	1	3	3	1	3	3	1	3	3	1	3	3	
13.5	64.9	37.5	56.2	32.5	48.7	21.0	19.0	28.1	16.2	13.0												
15	72.1	41.6	62.5	36.1	54.1	23.0	21.0	31.2	18.0	14.4												
18	86.5	50.0	72.0	43.4	64.0	28.0	25.0	37.5	21.6	17.3												
24	115.4	66.7	100.0	57.8	86.6	37.0	34.0	50.0	28.9	23.1												
27	129.8	75.0	112.5	65.0	97.4	41.0	38.0	56.2	32.5	26.0												
30	144.2	83.3	125.0	72.2	108.3	46.0	42.0	62.5	36.1	28.9												
36	173.0	100.0	150.0	86.7	129.9	55.0	50.0	75.0	43.3	34.6												
45	216.3	125.0	187.5	108.3	162.4	69.0	63.0	93.7	54.1	43.3												
54	259.6	150.0	225.0	130.0	194.9	83.0	75.0	112.5	65.0	52.0												

3 element models may convert 13.5kW thru 18kW ONLY

6 element models may convert 24kW thru 36kW ONLY

9 element models may convert 45kW thru 54kW ONLY

Sample Specification

The water heater shall be a Bradford White ElectriFLEX HD™ model with a rated storage capacity of not less than _____ gallons (_____ liters), a minimum kW input of _____ kW (_____ BTU/Hr.), a minimum recovery of _____ GPH (_____ LPH). The tank shall be Vitraglas® lined and have a bolted hand hole cleanout. The tank shall have _____ magnesium anode rods installed in separate tank head couplings. The heater shall have 3" (76mm) Non-CFC foam insulation, and come equipped with an ASME rated T&P relief valve, a cold water inlet Hydrojet® Sediment Reduction System. It shall be design certified by ETL for 180°F (82°C) application, either with or without a separate storage tank, and comply with state and local codes and ordinances.

General

All electric water heaters are certified at 300 PSI test pressure (2068 kPa) and 150 PSI working pressure (1034 kPa). All models are design certified by ETL, to provide outlet water at a thermostatically controlled temperature greater than 180°F (82°C) as an Automatic Storage Heater, and an Automatic Circulating Tank Heater. As an Automatic Storage Heater, all models are complete, self-contained water heating systems. It needs no separate storage tank, pump, wiring or elaborate piping network. When equipped with a mixing valve, it will supply 180°F (82°C) sanitizing and lower temperature general purpose hot water simultaneously. These models can be used either as a single unit or in multiples connected in series or parallel (recommended). ***Dimensions and specifications subject to change without notice in accordance with our policy of continuous product improvement.***

— BRADFORD WHITE IS —

**AMERICAN
STRONG**

Sales: 800-523-2931 ■ Fax 215-641-1612

24/7 Technical Support: 800-334-3393 ■ Email techserv@bradfordwhite.com

Products made by Bradford White are manufactured in the United States using the finest raw materials and components from around the world.

Built to be the Best®