



BRADFORD WHITE[®]
W A T E R H E A T E R S

RESIDENTIAL REPLACEMENT PARTS LIST
Energy Saver (M-I) Models



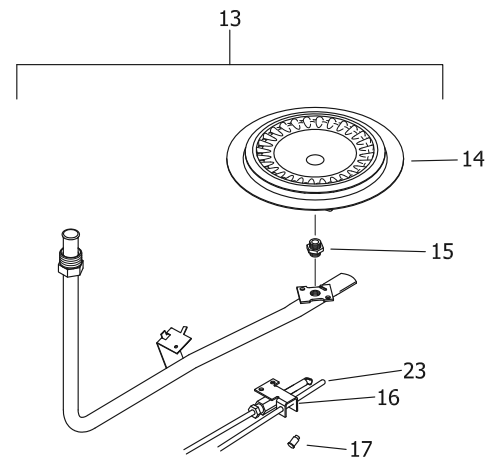
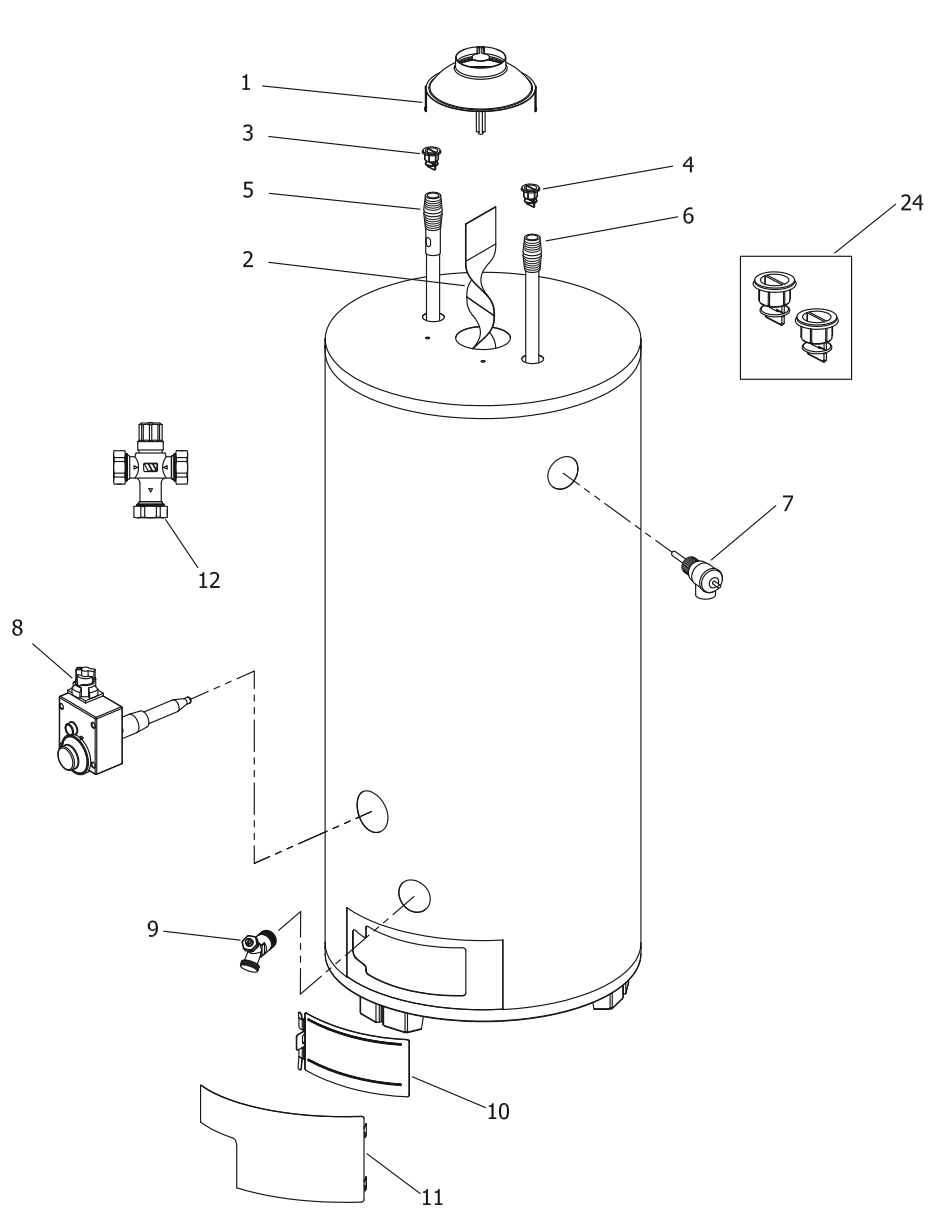
**Dash Ten, Eleven,
Twelve or Thirteen
(-10, -11, -12, -13) Series**

Includes Hydrojet[®]
Total Performance System

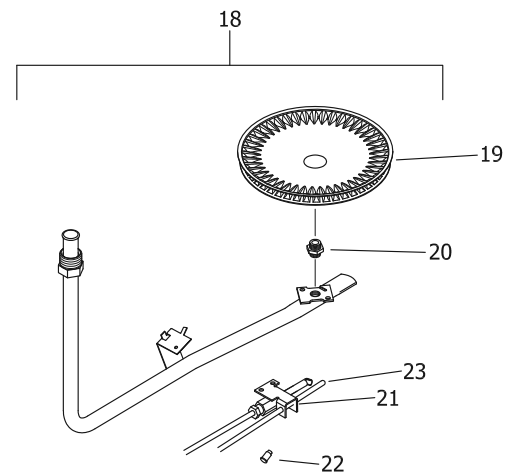
Effective: March 8, 2012
ECO 7496

**NOTE: BOTH MODEL AND SERIAL
NUMBERS ARE REQUIRED FOR
ORDERING REPLACEMENT PARTS**

Dimensions and specifications
subject to change without notice.



NATURAL GAS (BN) BURNER ASSEMBLY



LP GAS (SX) BURNER ASSEMBLY

LP GAS (SX) BURNER ASSEMBLY TO REPLACE LP GAS (CX) BURNER ASSEMBLY
ON ALL MODELS EXCEPT 75 & 100 GAL. MODELS

Item	Description	Model	Model	Model
		MI30T*(EN,BN,LN,CX)(10,11)	MI30S*(EN,BN,LN,CX)(10,11)	MI303T*(EN,BN,LN,CX)(10,11)
1	Draft Diverter	243-45787-00	243-45787-00	243-45787-00
2	Flue Baffle	243-44639-00	243-45226-00	243-45224-00
3	Heat Trap Insert (Outlet)	239-45167-00	239-45167-00	239-45167-00
4	Heat Trap Insert (Inlet)	239-45073-00	239-45073-00	239-45073-00
5	Hot Water Outlet Anode Magnesium ▲	224-47776-16	224-47776-15	224-47776-04
	Hot Water Outlet Anode Aluminum ▲	224-32999-24	224-32999-25	224-32999-06
	Hot Water Outlet Anode A420 Aluminum ▲#	224-49560-08	224-49560-08	224-49560-08
6	Cold Water Inlet Diptube Polypropylene ▲▲	229-39625-07	229-39625-05	229-39625-07
	Cold Water Inlet Diptube Polysulfone (NC Code) ▲▲	229-39628-07	229-39628-05	229-39628-07
7	T&P Relief Valve	230-32920-01	230-32920-01	230-32920-01
8	Gas Valve Natural Gas	265-46181-01	265-46181-01	265-46181-01
	Gas Valve LP Gas	265-46182-01	265-46182-01	265-46182-01
9	Brass Drain Valve	265-42351-02	265-42351-02	265-42351-02
10	Inner Door Complete (Sliding)	243-36739-02	243-36739-02	243-36739-02
11	Outer Door	243-41061-00	243-41061-00	243-41061-00
12	ASSE Approved Mixing Valve (Optional)	239-43740-01	239-43740-01	239-43740-01
	Natural Gas (BN) Burner Assembly	(Replacement for Natural Gas EN & LN Burner Assembly)		
13	Nat. Gas Burner Assembly Complete**	265-47439-01-36	265-47439-03-38	265-47439-01-32
14	Nat. Gas (BN) Burner	228-42506-00	228-42506-00	228-42506-00
15	Nat. Gas (BN) Main Burner Orifice (0ft to 2000ft)	234-41034-36	234-41034-38	234-41034-32
	Nat. Gas (BN) High Altitude (2001ft to 5000ft)	234-41034-39	234-41034-41	234-41034-36
	Nat. Gas (BN) High Altitude (5001ft to 8000ft)	234-41034-41	234-41034-43	234-41034-38
	Nat. Gas (BN) High Altitude (8001ft & above)	234-41034-43	234-41034-43	234-41034-38
16	Nat. Gas Pilot Assembly	233-40248-05	233-40248-05	233-40248-05
17	Nat. Gas Pilot Orifice	234-33098-01	234-33098-01	234-33098-01
	LP Gas (SX) Titanium Stabilized Stainless Steel Burner Assembly	(Replacement for LP Gas CX Cast Iron Burner)		
18	LP Gas Burner Assembly Complete**	265-47440-01-60	265-47440-03-54	265-47440-01-52
19	LP Gas (SX) Burner	228-46964-00	228-46964-00	228-46964-00
20	LP Gas (SX) Main Burner Orifice (0ft to 2000ft)	234-47064-60	234-47064-54	234-47064-52
	LP Gas (SX) High Altitude (2001ft to 5000ft)	234-47064-54	234-47064-54	234-47064-53
	LP Gas (SX) High Altitude (5001ft to 8000ft)	234-47064-54	234-47064-54	234-47064-54
	LP Gas (SX) High Altitude (8001ft & above)	234-47064-54	234-47064-54	234-47064-54
21	LP Gas Pilot Assembly	233-40261-03	233-40261-03	233-40261-03
22	LP Gas Pilot Orifice	234-46502-01	234-46502-01	234-46502-01
23	Thermocouple	233-46501-24	233-46501-24	233-46501-24
24	Kit-Heat Trap Insert	265-45420-00	265-45420-00	265-45420-00
--	Kit-LP to NAT conversion (0ft to 2000ft)	265-45712-01	265-45712-02	265-45712-03
--	Kit-LP to NAT conversion (2000ft to 5000ft)	265-45712-13	265-45712-14	265-45712-15

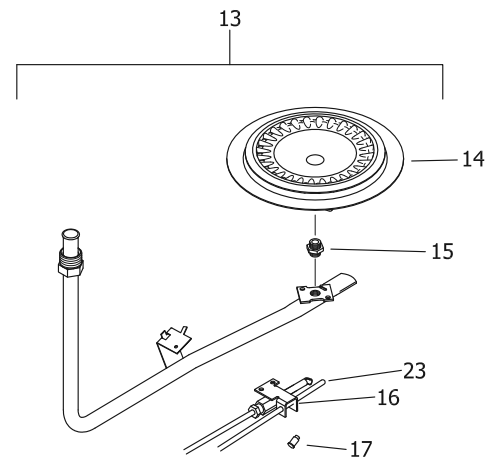
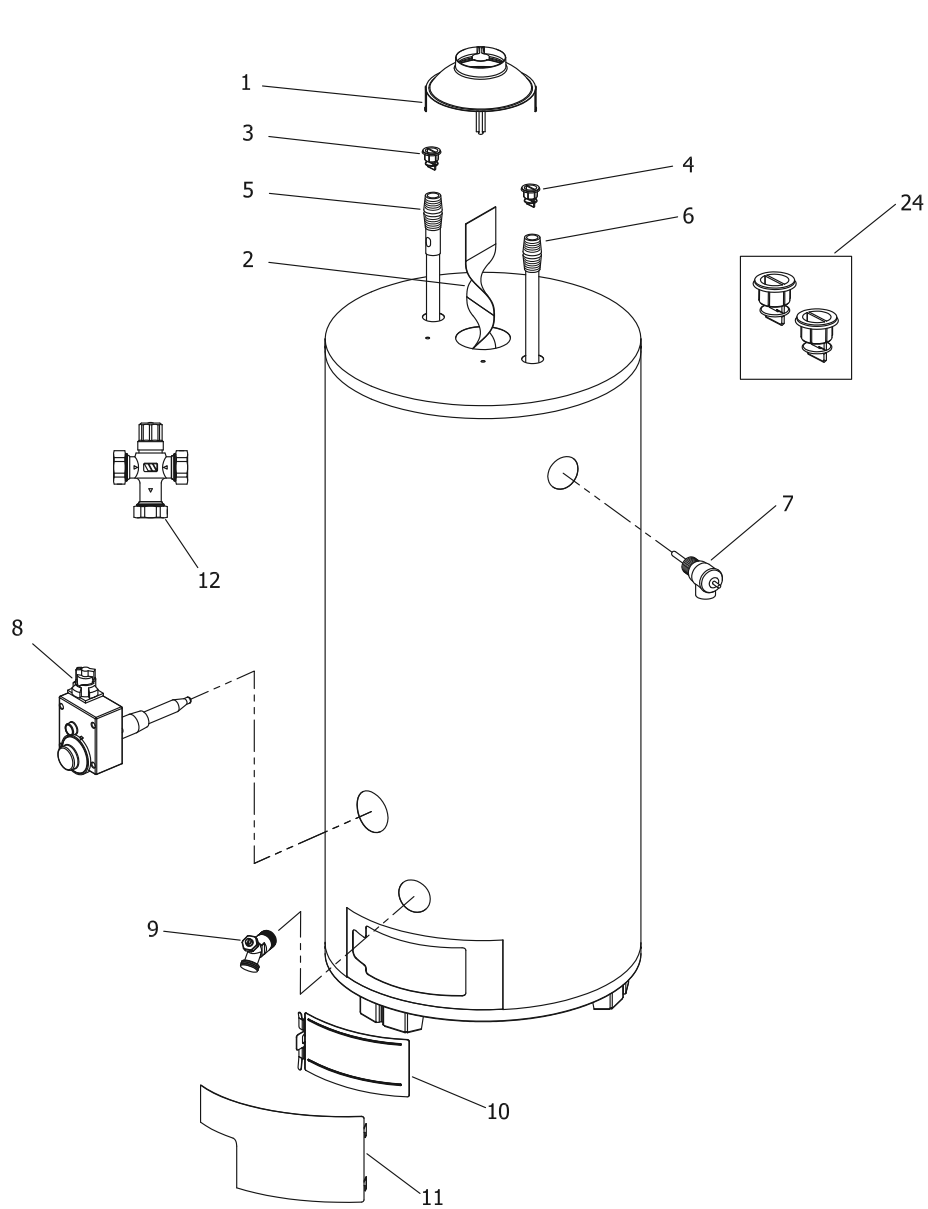
*All warranties

**Ordering a complete burner assy may increase delivery time. Please order the specific component req'd for the quickest delivery

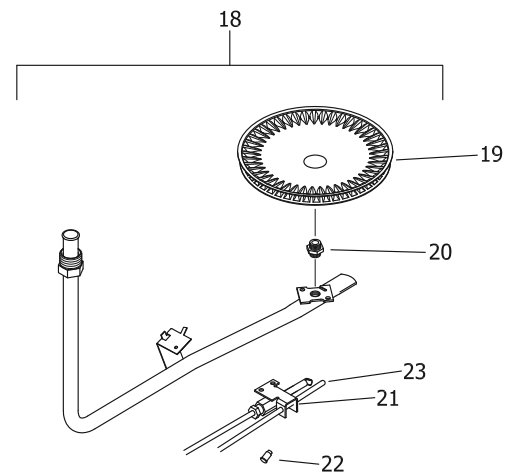
▲ Order with item 3

▲▲ Order with item 4

#A420 Anode may need to be cut to length



NATURAL GAS (BN) BURNER ASSEMBLY



LP GAS (SX) BURNER ASSEMBLY

LP GAS (SX) BURNER ASSEMBLY TO REPLACE LP GAS (CX) BURNER ASSEMBLY
ON ALL MODELS EXCEPT 75 & 100 GAL. MODELS

Item	Description	Model	Model	Model
		MI40T*(EN,BN,LN,CX)(12,13)	MI403S*(EN,BN,LN,CX)(12,13)	MI404T*(EN,BN,LN,CX)(12,13)
1	Draft Diverter	243-45787-00	243-45787-00	243-33081-02-20
2	Flue Baffle	243-42283-00	243-45223-00	243-45225-00
3	Heat Trap Insert (Outlet)	239-45167-00	239-45167-00	239-45167-00
4	Heat Trap Insert (Inlet)	239-45073-00	239-45073-00	239-45073-00
5	Hot Water Outlet Anode Magnesium ▲	224-47776-17	224-47776-05	224-47776-06
	Hot Water Outlet Anode Aluminum ▲	224-32999-24	224-32999-10	224-32999-06
	Hot Water Outlet Anode A420 Aluminum ▲#	224-49560-08	224-49560-08	224-49560-08
6	Cold Water Inlet Diptube Polypropylene ▲▲	229-39625-08	229-39625-03	229-39625-06
	Cold Water Inlet Diptube Polysulfone (NC Code) ▲▲	229-39628-08	229-39628-03	229-39628-06
7	T&P Relief Valve	230-32920-01	230-32920-01	230-32920-01
8	Gas Valve Natural Gas	265-46181-01	265-46181-01	265-46181-01
	Gas Valve LP Gas	265-46182-01	265-46182-01	265-46182-01
9	Brass Drain Valve	265-42351-02	265-42351-02	265-42351-02
10	Inner Door Complete (Sliding)	243-36739-02	243-36739-02	243-36739-02
11	Outer Door	243-41061-00	243-41061-00	243-41061-00
12	ASSE Approved Mixing Valve (Optional)	239-43740-01	239-43740-01	239-43740-01
	Natural Gas (BN) Burner Assembly	(Replacement for Natural Gas EN & LN Burner Assembly)		
13	Nat. Gas Burner Assembly Complete**	265-47439-03-32	265-47439-05-32	265-47439-03-30
14	Nat. Gas (BN) Burner	228-42506-00	228-42506-00	228-42506-00
15	Nat. Gas (BN) Main Burner Orifice (0ft to 2000ft)	234-41034-32	234-41034-32	234-41034-30
	Nat. Gas (BN) High Altitude (2001ft to 5000ft)	234-41034-36	234-41034-36	234-41034-31
	Nat. Gas (BN) High Altitude (5001ft to 8000ft)	234-41034-38	234-41034-38	234-41034-32
	Nat. Gas (BN) High Altitude (8001ft & above)	234-41034-38	234-41034-38	234-41034-33
16	Nat. Gas Pilot Assembly	233-40248-05	233-40248-05	233-40248-05
17	Nat. Gas Pilot Orifice	234-33098-01	234-33098-01	234-33098-01
	LP Gas (SX) Titanium Stabilized Stainless Steel Burner Assembly	(Replacement for LP Gas CX Cast Iron Burner)		
18	LP Gas Burner Assembly Complete**	265-47440-03-52	265-47440-07-50	265-47440-04-47
19	LP Gas (SX) Burner	228-46964-00	228-46964-00	228-47000-00
20	LP Gas (SX) Main Burner Orifice (0ft to 2000ft)	234-47064-52	234-47064-50	234-47064-47
	LP Gas (SX) High Altitude (2001ft to 5000ft)	234-47064-53	234-47064-51	234-47064-49
	LP Gas (SX) High Altitude (5001ft to 8000ft)	234-47064-54	234-47064-52	234-47064-50
	LP Gas (SX) High Altitude (8001ft & above)	234-47064-54	234-47064-53	234-47064-51
21	LP Gas Pilot Assembly	233-40261-03	233-40261-03	233-40261-03
22	LP Gas Pilot Orifice	234-46502-01	234-46502-01	234-46502-01
23	Thermocouple	233-46501-24	233-46501-24	233-46501-24
24	Kit-Heat Trap Insert	265-45420-00	265-45420-00	265-45420-00
--	Kit-LP to NAT conversion (0ft to 2000ft)	265-45712-04	265-45712-05	265-45712-06
--	Kit-LP to NAT conversion (2000ft to 5000ft)	265-45712-16	265-45712-17	265-45712-18

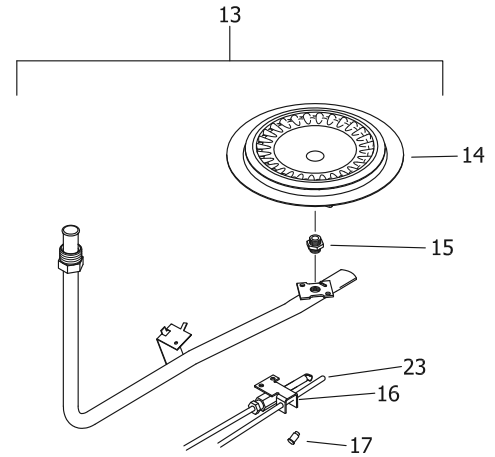
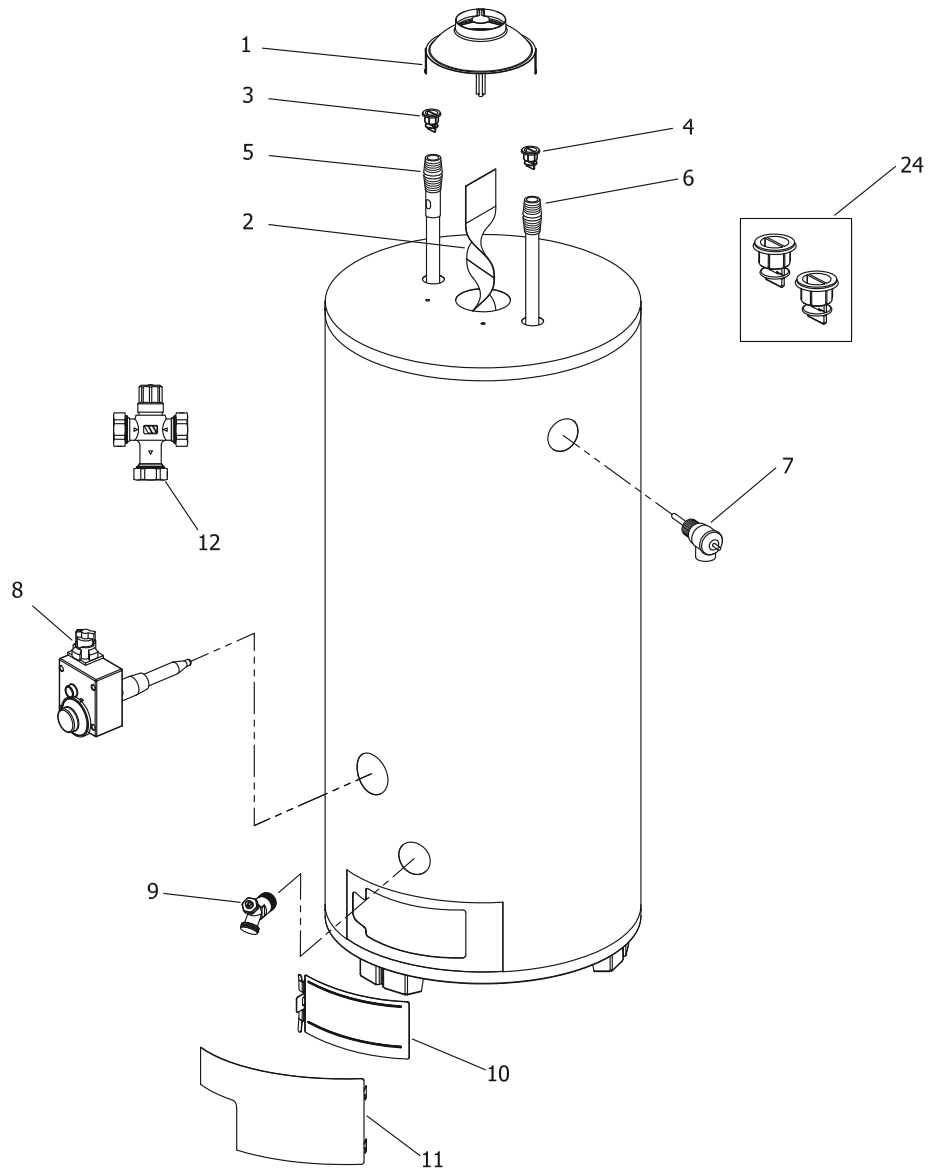
*All warranties

**Ordering a complete burner assy may increase delivery time. Please order the specific component req'd for the quickest delivery

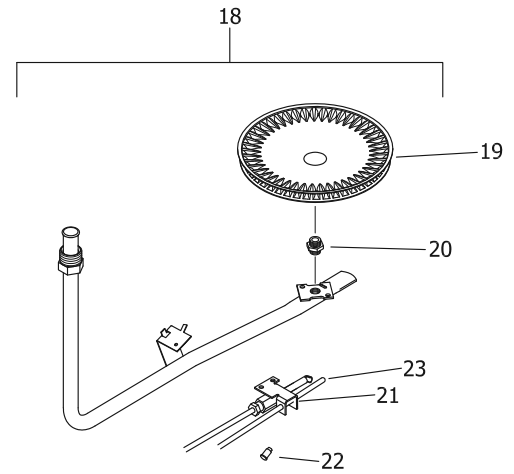
▲ Order with item 3

▲▲ Order with item 4

#A420 Anode may need to be cut to length



NATURAL GAS (BN) BURNER ASSEMBLY



LP GAS (SX) BURNER ASSEMBLY

LP GAS (SX) BURNER ASSEMBLY TO REPLACE LP GAS (CX) BURNER ASSEMBLY
ON ALL MODELS EXCEPT 75 & 100 GAL. MODELS

Item	Description	Model	Model	Model
		MI503*(EN,BN,LN,CX)(10,11)	MI50L*(EN,BN,LN,CX)(10,11)	MI504S*(EN,BN,LN,CX)(10,11)
1	Draft Diverter	243-45787-00	243-45787-00	239-12950-00
2	Flue Baffle	243-44705-00	243-45223-00	243-45225-00
3	Heat Trap Insert (Outlet)	239-45167-00	239-45167-00	239-45167-00
4	Heat Trap Insert (Inlet)	239-45073-00	239-45073-00	239-45073-00
5	Hot Water Outlet Anode Magnesium ▲	224-47776-12	224-47776-05	224-47776-07
	Hot Water Outlet Anode Aluminum ▲	224-32999-21	224-32999-10	224-32999-06
	Hot Water Outlet Anode A420 Aluminum ▲#	224-49560-08	224-49560-08	224-49560-08
6	Cold Water Inlet Diptube Polypropylene ▲▲	229-39625-07	229-39625-05	229-39625-06
	Cold Water Inlet Diptube Polysulfone (NC Code) ▲▲	229-39628-07	229-39628-05	229-39628-06
7	T&P Relief Valve	230-32920-01	230-32920-01	230-32920-01
8	Gas Valve Natural Gas	265-46181-01	265-46181-01	265-46181-01
	Gas Valve LP Gas	265-46182-01	265-46182-01	265-46182-01
9	Brass Drain Valve	265-42351-02	265-42351-02	265-42351-02
10	Inner Door Complete (Sliding)	243-36739-02	243-36739-02	243-36739-02
11	Outer Door	243-41061-00	243-41061-00	243-41061-00
12	ASSE Approved Mixing Valve (Optional)	239-43740-01	239-43740-01	239-43740-01
Natural Gas (BN) Burner Assembly (Replacement for Natural Gas EN & LN Burner Assembly)				
13	Nat. Gas Burner Assembly Complete**	265-47439-05-32	265-47439-08-32	265-47439-05-30
14	Nat. Gas (BN) Burner	228-42506-00	228-42506-00	228-42506-00
15	Nat. Gas (BN) Main Burner Orifice (0ft to 2000ft)	234-41034-32	234-41034-32	234-41034-30
	Nat. Gas (BN) High Altitude (2001ft to 5000ft)	234-41034-36	234-41034-36	234-41034-31
	Nat. Gas (BN) High Altitude (5001ft to 8000ft)	234-41034-38	234-41034-38	234-41034-32
	Nat. Gas (BN) High Altitude (8001ft & above)	234-41034-38	234-41034-38	234-41034-33
16	Nat. Gas Pilot Assembly	233-40248-05	233-40248-05	233-40248-05
17	Nat. Gas Pilot Orifice	234-33098-01	234-33098-01	234-33098-01
LP Gas (SX) Titanium Stabilized Stainless Steel Burner Assembly (Replacement for LP Gas CX Cast Iron Burner)				
18	LP Gas Burner Assembly Complete**	265-47440-07-51	265-47440-13-50	265-47440-08-47
19	LP Gas (SX) Burner	228-46964-00	228-46964-00	228-47000-00
20	LP Gas (SX) Main Burner Orifice (0ft to 2000ft)	234-47064-51	234-47064-50	234-47064-47
	LP Gas (SX) High Altitude (2001ft to 5000ft)	234-47064-53	234-47064-51	234-47064-49
	LP Gas (SX) High Altitude (5001ft to 8000ft)	234-47064-53	234-47064-52	234-47064-50
	LP Gas (SX) High Altitude (8001ft & above)	234-47064-54	234-47064-53	234-47064-51
21	LP Gas Pilot Assembly	233-40261-03	233-40261-03	233-40261-03
22	LP Gas Pilot Orifice	234-46502-01	234-46502-01	234-46502-01
23	Thermocouple	233-46501-24	233-46501-24	233-46501-24
24	Kit-Heat Trap Insert	265-45420-00	265-45420-00	265-45420-00
--	Kit-LP to NAT conversion (0ft to 2000ft)	265-45712-05	265-45712-07	265-45712-08
--	Kit-LP to NAT conversion (2000ft to 5000ft)	265-45712-17	265-45712-19	265-45712-20

*All warranties

**Ordering a complete burner assy may increase delivery time. Please order the specific component req'd for the quickest delivery

▲ Order with item 3

▲▲ Order with item 4

#A420 Anode may need to be cut to length



BRADFORD WHITE®

W A T E R H E A T E R S

Ambler, PA

For U.S. and Canada field service,
contact your professional installer or
local Bradford White sales representative.

Sales/800-523-2931

Fax/215-641-1670

Parts Fax/215-641-2180

Technical Support/800-334-3393

Fax/269-795-1089

Warranty/800-531-2111

Fax/269-795-1089

International:

Telephone/215-641-9400

Telefax/215-641-9750



BRADFORD WHITE-CANADA® INC.

Mississauga, ON

Sales/866-690-0961

905-238-0100

Fax/905-238-0105

Technical Support/800-334-3393

Email

parts@bradfordwhite.com

techserv@bradfordwhite.com

www.bradfordwhite.com