



BRADFORD WHITE[®]
W A T E R H E A T E R S

**RESIDENTIAL & LIGHT DUTY
COMMERCIAL REPLACEMENT PARTS LIST**



**"MI" Models
"M(1,2)XR" Models
"M4" Models
and
Light Duty 50T65, 65T65**

DEFENDER
SAFETY SYSTEM[®]

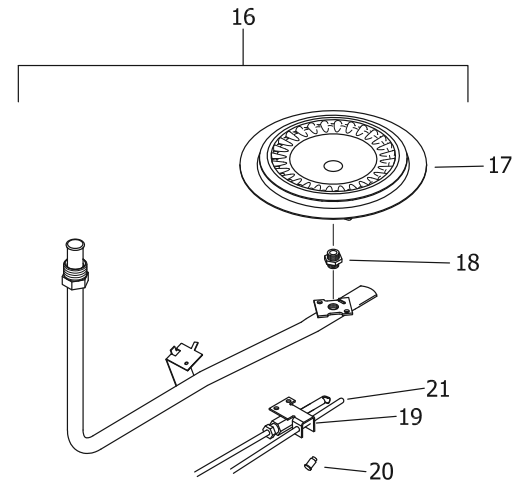
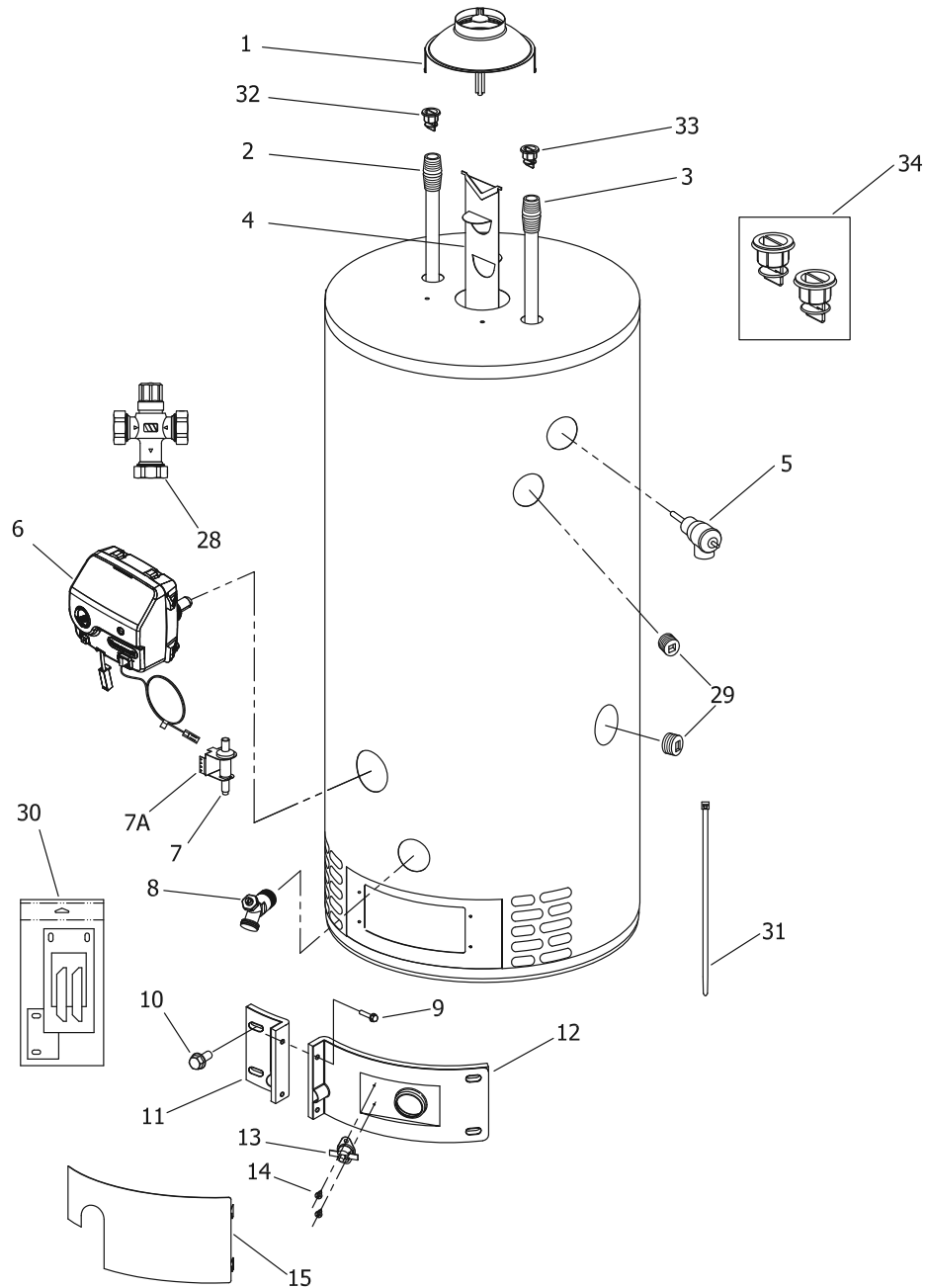
Includes Hydrojet[®]
Total Performance System

***Effective: April, 2012
ECO 7496***

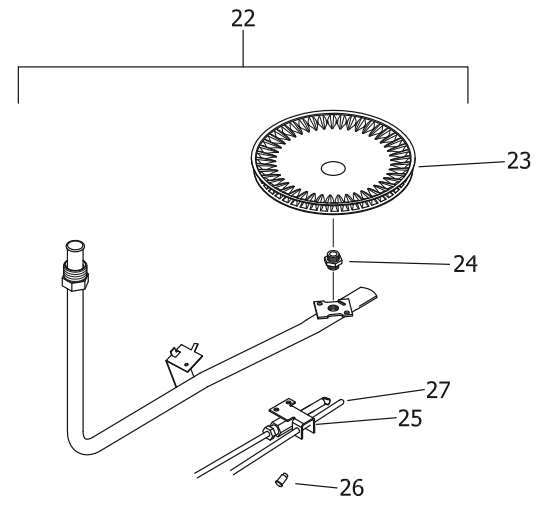
**NOTE: BOTH MODEL AND SERIAL
NUMBERS ARE REQUIRED FOR
ORDERING REPLACEMENT PARTS**

Dimensions and specifications
subject to change without notice.

(MI40T Shown)



NATURAL GAS (BN) BURNER ASSEMBLY



LP GAS (SX) BURNER ASSEMBLY

LP GAS (SX) BURNER ASSEMBLY TO REPLACE LP GAS (CX) BURNER ASSEMBLY
ON ALL MODELS EXCEPT 75 & 100 GAL. MODELS

Item	Description	Model	Model	Model	Model	Model
		M130T*F(BN,CX,SX)	M130S*F(BN,CX,SX)	M1303T*F(BN,CX,SX)	M140T*F(BN,CX,SX)	M1403S*F(BN,CX,SX)
1	Draft Hood	243-45787-00	243-45787-00	243-45787-00	243-45787-00	243-45787-00
2	Hot Water Outlet Anode Magnesium ▲	224-47776-16	224-47776-15	224-47776-04	224-47776-17	224-47776-05
	Hot Water Outlet Aluminum ▲	224-32999-24	224-32999-25	224-32999-06	224-32999-24	224-32999-10
	Hot Water Outlet A420 Aluminum ▲#	224-49560-08	224-49560-08	224-49560-08	224-49560-08	224-49560-08
3	Cold Water Inlet Dip Tube Polypropylene ▲▲	229-39625-23	229-39625-24	229-39625-07	229-39625-25	229-39625-03
	Cold Water Inlet Polysulfone (NC Code) ▲▲	229-39628-26	229-39628-27	229-39628-07	229-39628-28	229-39628-03
4	Flue Baffle	243-44639-00	243-45226-00	243-45224-00	243-42283-00	243-45223-00
5	T&P Relief Valve	230-32920-01	230-32920-01	230-32920-01	230-32920-01	230-32920-01
6	Gas Control Direct Replacement Natural Gas	239-47463-01	239-47463-01	239-47463-01	239-47463-01	239-47463-01
	Gas Control Direct Replacement LP Gas	239-47465-01	239-47465-01	239-47465-01	239-47465-01	239-47465-01
	Gas Control Universal Replacement Natural Gas	239-47851-00	239-47851-00	239-47851-00	239-47851-00	239-47851-00
	Gas Control Universal Replacement LP Gas	239-47856-00	239-47856-00	239-47856-00	239-47856-00	239-47856-00
7	Piezo Igniter (White Rodgers/Robertshaw)	239-43448-00	239-43448-00	239-43448-00	239-43448-00	239-43448-00
7A	Piezo Bracket (White Rodgers)	239-46157-02	239-46157-02	239-46157-02	239-46157-02	239-46157-02
	Piezo Bracket (Robertshaw)	239-43449-00	239-43449-00	239-43449-00	239-43449-00	239-43449-00
8	Brass Drain Valve	265-42351-02	265-42351-02	265-42351-02	265-42351-02	265-42351-02
9	Screw-#8-18 x 3/4 HWH	239-44195-00	239-44195-00	239-44195-00	239-44195-00	239-44195-00
10	Screw-#10-12 x 3/4 HWH	239-44113-00	239-44113-00	239-44113-00	239-44113-00	239-44113-00
11	Left Side Inner Door Complete	239-43968-14	239-43968-16	239-43968-14	239-43968-16	239-43968-18
12	Nat. Gas Right Side Inner Door Complete	239-43963-02	239-43963-03	239-43963-02	239-43963-05	239-43963-07
	LP Gas Right Side Inner Door Complete	239-43963-02	239-43963-03	239-43963-01	239-43963-03	239-43963-07
13	Nat. Gas Resettable Thermal Switch	239-43676-03	239-43676-01	239-43676-03	239-43676-03	239-43676-02
	LP Gas Resettable Thermal Switch	239-43676-03	239-43676-01	239-43676-02	239-43676-01	239-43676-02
14	Screw-#6-20 x 3/8 PHCR	239-43967-00	239-43967-00	239-43967-00	239-43967-00	239-43967-00
15	Outer Door	243-43962-00	243-43962-00	243-43962-00	243-43962-00	243-43962-00
Natural Gas (BN) Burner Assembly						
16	Nat Gas Burner Assembly Complete***	265-47439-02-36	265-47439-04-38	265-47439-02-32	265-47439-04-32	265-47439-07-32
17	Nat. Gas (BN) Burner**	228-42506-00	228-42506-00	228-42506-00	228-42506-00	228-42506-00
18	Nat. Gas (BN) Main Burner Orifice**	234-41034-36	234-41034-38	234-41034-32	234-41034-32	234-41034-32
	Nat. Gas (BN) High Altitude 2001 Ft. to 5000 Ft.**	234-41034-39	234-41034-41	234-41034-36	234-41034-36	234-41034-36
	Nat. Gas (BN) High Altitude 5001 Ft. to 8000 Ft.**	234-41034-41	234-41034-43	234-41034-38	234-41034-38	234-41034-38
	Nat. Gas (BN) High Altitude Over 8000 Ft.**	234-41034-43	234-41034-43	234-41034-38	234-41034-38	234-41034-38
19	Nat. Gas Pilot Assembly (White Rodgers)**	233-46277-04	233-46277-04	233-46277-04	233-46277-04	233-46277-04
	Nat. Gas Pilot Assembly (Honeywell)**	233-47845-05	233-47845-05	233-47845-05	233-47845-05	233-47845-05
20	Nat. Gas Pilot Orifice (White Rodgers)**	234-46502-05	234-46502-05	234-46502-05	234-46502-05	234-46502-05
21	Thermocouple (White Rodgers)**	233-46501-15	233-46501-15	233-46501-15	233-46501-15	233-46501-15
LP Gas (SX) Titanium Stabilized Stainless Steel Burner Assembly						
(Replacement for LP Gas (CX) Cast Iron Burner)						
22	LP Gas Burner Assembly Complete***	265-47440-02-60	265-47440-05-54	265-47440-02-52	265-47440-05-52	265-47440-11-50
23	LP Gas (SX) Burner**	228-46964-00	228-46964-00	228-46964-00	228-46964-00	228-46964-00
24	LP Gas (SX) Main Burner Orifice**	234-47064-60	234-47064-54	234-47064-52	234-47064-52	234-47064-50
	LP Gas (SX) High Altitude 2001 Ft. to 5000 Ft.**	234-47064-54	234-47064-54	234-47064-53	234-47064-53	234-47064-51
	LP Gas (SX) High Altitude 5001 Ft. to 8000 Ft.**	234-47064-54	234-47064-54	234-47064-54	234-47064-54	234-47064-52
	LP Gas (SX) High Altitude Over 8000 Ft.**	234-47064-54	234-47064-54	234-47064-54	234-47064-54	234-47064-53
25	LP Gas Pilot Assembly (White Rodgers)**	233-46278-03	233-46278-03	233-46278-03	233-46278-03	233-46278-03
	LP Gas Pilot Assembly (Honeywell)**	233-47846-05	233-47846-05	233-47846-05	233-47846-05	233-47846-05
26	LP Gas Pilot Orifice (White Rodgers)**	234-46502-02	234-46502-02	234-46502-02	234-46502-02	234-46502-02
27	Thermocouple (White Rodgers)**	233-46501-15	233-46501-15	233-46501-15	233-46501-15	233-46501-15
28	ASSE Approved Mixing Valve (Optional)	239-43740-01	239-43740-01	239-43740-01	239-43740-01	239-43740-01
29	3/4 NPT Plug	---	---	---	---	---
30	Inner Door Gasket Kit	239-44078-00	239-44078-00	239-44078-00	239-44078-00	239-44078-00
31	Wire Tie	239-44328-00	239-44328-00	239-44328-00	239-44328-00	239-44328-00
32	Heat Trap Insert (Outlet)	239-45167-00	239-45167-00	239-45167-00	239-45167-00	239-45167-00
33	Heat Trap Insert (Inlet)	239-45073-00	239-45073-00	239-45073-00	239-45073-00	239-45073-00
34	Kit-Heat Trap Insert	265-45420-00	265-45420-00	265-45420-00	265-45420-00	265-45420-00
-	LP to Natural Gas Conversion Kit (Norm Alt.)	265-45712-01	265-45712-02	265-45712-03	265-45712-04	265-45712-05
-	LP to Natural Gas Conversion Kit (High Alt.)	265-45712-13	265-45712-14	265-45712-15	265-45712-16	265-45712-17

*Applies to all warranties

**Inner door gasket kit recommended

***Ordering a complete burner assembly may increase delivery time. Please order the specific component required for the quickest delivery.

▲ Order with item 32

▲▲ Order with item 33

#A420 Anode may need to be cut to length

Item	Description	Model	Model	Model	Model	Model
		MI404T*(BN,CX,SX)	MI503*(BN,CX,SX)	MI50L*(BN,CX,SX)	MI504S*(BN,CX,SX)	MI60T*(BN,CX,SX)
1	Draft Hood	243-33081-02-20	243-45787-00	243-45787-00	243-12950-00	243-45787-00
2	Hot Water Outlet Anode Magnesium ▲	224-47776-06	224-47776-12	224-47776-05	224-47776-07	224-47776-12
	Hot Water Outlet Aluminum ▲	224-32999-06	224-32999-21	224-32999-10	24-32999-06	224-32999-21
	Hot Water Outlet A420 Aluminum ▲#	224-49560-08	224-49560-08	224-49560-08	224-49560-08	224-49560-08
3	Cold Water Inlet Dip Tube Polypropylene ▲▲	229-39625-06	229-39625-22	229-39625-05	229-39625-06	229-39625-14
	Cold Water Inlet Polysulfone (NC Code)▲▲	229-39628-06	229-39628-21	229-39628-05	229-39628-06	229-39628-14
4	Flue Baffle	243-45225-00	243-44705-00	243-45223-00	243-45225-00	243-42283-00
5	T&P Relief Valve	230-32920-01	230-32920-01	230-32920-01	230-32920-01	230-32920-01
6	Gas Control Direct Replacement Natural Gas	239-47463-01	239-47463-01	239-47463-01	239-47463-01	239-47463-01
	Gas Control Direct Replacement LP Gas	239-47465-01	239-47465-01	239-47465-01	239-47465-01	239-47465-01
	Gas Control Universal Replacement Natural Gas	239-47851-00	239-47851-00	239-47851-00	239-47851-00	239-47851-00
	Gas Control Universal Replacement LP Gas	239-47856-00	239-47856-00	239-47856-00	239-47856-00	239-47856-00
7	Piezo Igniter (White Rodgers/Robertshaw)	239-43448-00	239-43448-00	239-43448-00	239-43448-00	239-43448-00
7A	Piezo Bracket (White Rodgers)	239-46157-02	239-46157-02	239-46157-02	239-46157-02	239-46157-02
	Piezo Bracket (Robertshaw)	239-43449-00	239-43449-00	239-43449-00	239-43449-00	239-43449-00
8	Brass Drain Valve	265-42351-02	265-42351-02	265-42351-02	265-42351-02	265-42351-02
9	Screw-#8-18 x 3/4 HWH	239-44195-00	239-44195-00	239-44195-00	239-44195-00	239-44195-00
10	Screw-#10-12 x 3/4 HWH	239-44113-00	239-44113-00	239-44113-00	239-44113-00	239-44113-00
11	Left Side Inner Door Complete	239-43968-16	239-43968-18	239-43968-20	239-43968-18	239-43968-20
12	Nat. Gas Right Side Inner Door Complete	239-43963-05	239-43963-07	239-43963-09	239-43963-06	239-43963-12
	LP Gas Right Side Inner Door Complete	239-43963-05	239-43963-07	239-43963-09	239-43963-06	239-43963-13
13	Nat. Gas Resettable Thermal Switch	239-43676-03	239-43676-02	239-43676-01	239-43676-01	239-43676-02
	LP Gas Resettable Thermal Switch	239-43676-03	239-43676-02	239-43676-01	239-43676-01	239-43676-03
14	Screw-#6-20 x 3/8 PHCR	239-43967-00	239-43967-00	239-43967-00	239-43967-00	239-43967-00
15	Outer Door	243-43962-00	243-43962-00	243-43962-00	243-43962-00	243-43962-00
Natural Gas (BN) Burner Assembly						
16	Nat Gas Burner Assembly Complete***	265-47439-04-30	265-47439-07-32	265-47439-10-32	265-47439-07-30	265-47439-10-32
17	Nat. Gas (BN) Burner**	228-42506-00	228-42506-00	228-42506-00	228-42506-00	228-42506-00
18	Nat. Gas (BN) Main Burner Orifice**	234-41034-30	234-41034-32	234-41034-32	234-41034-30	234-41034-32
	Nat. Gas (BN) High Altitude 2001 Ft. to 5000 Ft.**	234-41034-31	234-41034-36	234-41034-36	234-41034-31	234-41034-36
	Nat. Gas (BN) High Altitude 5001 Ft. to 8000 Ft.**	234-41034-32	234-41034-38	234-41034-38	234-41034-32	234-41034-38
	Nat. Gas (BN) High Altitude Over 8000 Ft.**	234-41034-33	234-41034-38	234-41034-38	234-41034-33	234-41034-38
19	Nat. Gas Pilot Assembly (White Rodgers)**	233-46277-04	233-46277-04	233-46277-04	233-46277-04	233-46277-04
	Nat. Gas Pilot Assembly (Honeywell)**	233-47845-05	233-47845-05	233-47845-05	233-47845-05	233-47845-05
20	Nat. Gas Pilot Orifice (White Rodgers)**	234-46502-05	234-46502-05	234-46502-05	234-46502-05	234-46502-05
21	Thermocouple (White Rodgers)**	233-46501-15	233-46501-15	233-46501-24	233-46501-15	233-46501-24
LP Gas (SX) Titanium Stabilized Stainless Steel Burner Assembly						
(Replacement for LP Gas (CX) Cast Iron Burner)						
22	LP Gas Burner Assembly Complete***	265-47440-06-47	265-47440-11-51	265-47440-17-50	265-47440-12-47	265-47440-17-50
23	LP Gas (SX) Burner**	228-47000-00	228-46964-00	228-46964-00	228-47000-00	228-46964-00
24	LP Gas (SX) Main Burner Orifice**	234-47064-47	234-47064-51	234-47064-50	234-47064-47	234-47064-50
	LP Gas (SX) High Altitude 2001 Ft. to 5000 Ft.**	234-47064-49	234-47064-53	234-47064-51	234-47064-49	234-47064-51
	LP Gas (SX) High Altitude 5001 Ft. to 8000 Ft.**	234-47064-50	234-47064-53	234-47064-52	234-47064-50	234-47064-52
	LP Gas (SX) High Altitude Over 8000 Ft.**	234-47064-51	234-47064-54	234-47064-53	234-47064-51	234-47064-53
25	LP Gas Pilot Assembly (White Rodgers)**	233-46278-03	233-46278-03	233-46278-03	233-46278-03	233-46278-03
	LP Gas Pilot Assembly (Honeywell)**	233-47846-05	233-47846-05	233-47846-05	233-47846-05	233-47846-05
26	LP Gas Pilot Orifice (White Rodgers)**	234-46502-02	234-46502-02	234-46502-02	234-46502-02	234-46502-02
27	Thermocouple (White Rodgers)**	233-46501-15	233-46501-15	233-46501-24	233-46501-15	233-46501-24
28	ASSE Approved Mixing Valve (Optional)	239-43740-01	239-43740-01	239-43740-01	239-43740-01	239-43740-01
29	3/4 NPT Plug	---	---	---	---	---
30	Inner Door Gasket Kit	239-44078-00	239-44078-00	239-44078-00	239-44078-00	239-44078-00
31	Wire Tie	239-44328-00	239-44328-00	239-44328-00	239-44328-00	239-44328-00
32	Heat Trap Insert (Outlet)	239-45167-00	239-45167-00	239-45167-00	239-45167-00	239-45167-00
33	Heat Trap Insert (Inlet)	239-45073-00	239-45073-00	239-45073-00	239-45073-00	239-45073-00
34	Kit-Heat Trap Insert	265-45420-00	265-45420-00	265-45420-00	265-45420-00	265-45420-00
-	LP to Natural Gas Conversion Kit (Norm Alt.)	265-45712-06	265-45712-05	265-45712-07	265-45712-08	265-45712-27
-	LP to Natural Gas Conversion Kit (High Alt.)	265-45712-18	265-45712-17	265-45712-19	265-45712-20	265-45712-28

*Applies to all warranties

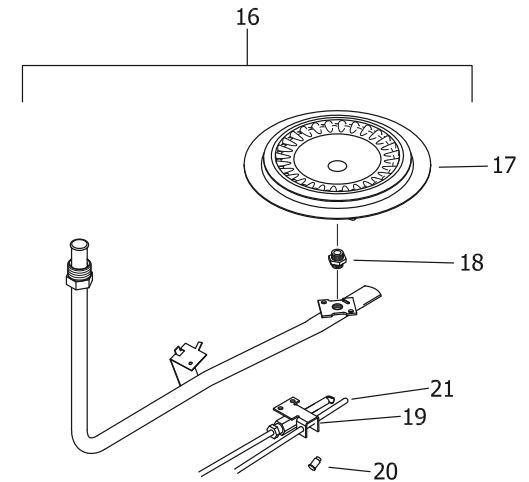
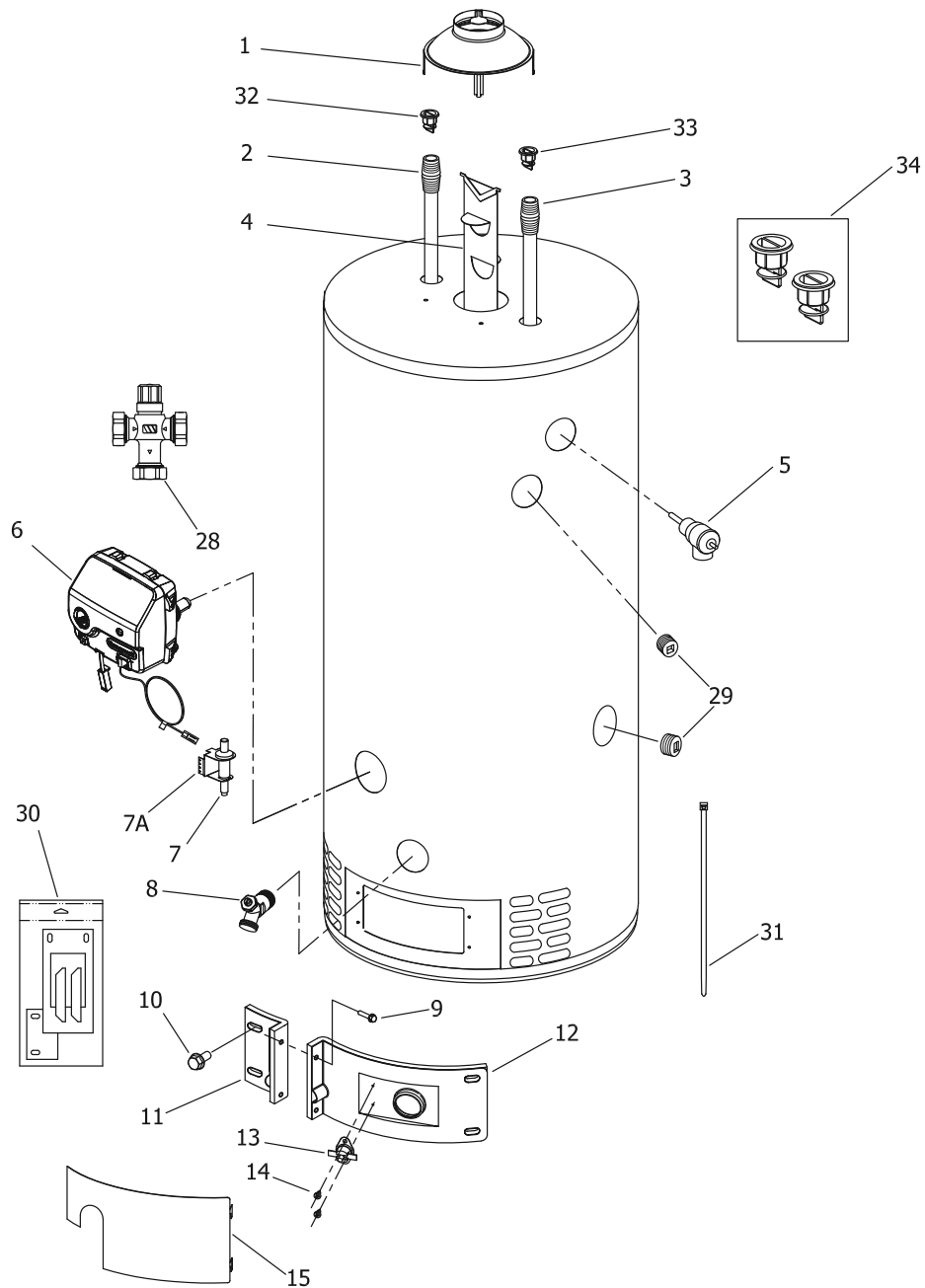
**Inner door gasket kit recommended

***Ordering a complete burner assembly may increase delivery time. Please order the specific component required for the quickest delivery.

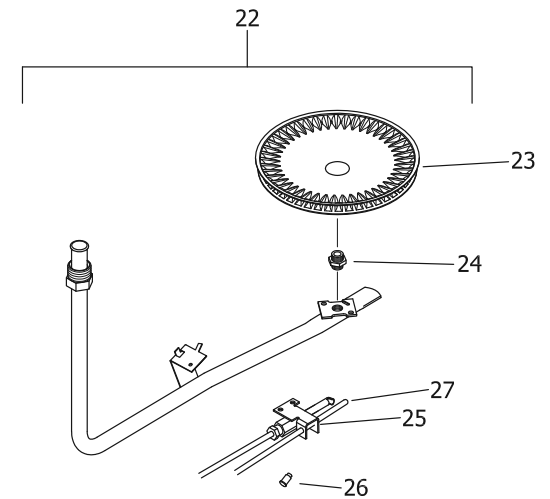
▲ Order with item 32

▲▲ Order with item 33

#A420 Anode may need to be cut to length



NATURAL GAS (BN) BURNER ASSEMBLY



LP GAS (SX) BURNER ASSEMBLY

LP GAS (SX) BURNER ASSEMBLY TO REPLACE LP GAS (CX) BURNER ASSEMBLY
ON ALL MODELS EXCEPT 75 & 100 GAL. MODELS

Item	Description	Model	Model	Model	Model	Model
		M1XR403S*F(BN,CX,SX)	M2XR504T*F(BN,CX,SX)	M430T*F(BN,CX,SX)	M4403S*F(BN,CX,SX)	M440T*F(BN,CX,SX)
1	Draft Hood	243-45787-00	243-33081-02-20	243-45787-00	243-45787-00	243-45787-00
2	Hot Water Outlet Anode Magnesium ▲	224-47776-05	224-47776-12	224-47776-16	224-47776-05	224-47776-17
	Hot Water Outlet Aluminum ▲	224-32999-10	224-32999-21	224-32999-24	224-32999-10	224-32999-24
	Hot Water Outlet A420 Aluminum ▲#	224-49560-08	224-49560-08	224-49560-08	224-49560-08	224-49560-08
3	Cold Water Inlet Dip Tube Polypropylene ▲▲	229-39625-03	229-39625-18	229-39625-23	229-39625-03	229-39625-25
	Cold Water Inlet Polysulfone (NC Code)▲▲	229-39628-03	229-39628-18	229-39628-26	229-39628-03	229-39628-28
4	Flue Baffle	243-45223-00	243-41037-00	243-44639-00	243-45223-00	243-42283-00
5	T&P Relief Valve	230-32920-01	230-40594-02	230-40594-02	230-40594-02	230-40594-02
6	Gas Control Direct Replacement Natural Gas	239-47463-01	239-47463-02	239-47463-02	239-47463-02	239-47463-02
	Gas Control Direct Replacement LP Gas	239-47465-01	239-47465-02	239-47465-02	239-47465-02	239-47465-02
	Gas Control Universal Replacement Natural Gas	239-47851-00	239-47851-00	239-47851-00	239-47851-00	239-47851-00
	Gas Control Universal Replacement LP Gas	239-47856-00	239-47856-00	239-47856-00	239-47856-00	239-47856-00
7	Piezo Igniter (White Rodgers/Robertshaw)	239-43448-00	239-43448-00	239-43448-00	239-43448-00	239-43448-00
7A	Piezo Bracket (White Rodgers)	239-46157-02	239-46157-02	239-46157-02	239-46157-02	239-46157-02
	Piezo Bracket (Robertshaw)	239-43449-00	239-43449-00	239-43449-00	239-43449-00	239-43449-00
8	Brass Drain Valve	265-42351-02	265-42351-02	265-42351-02	265-42351-02	265-42351-02
9	Screw-#8-18 x 3/4 HWH	239-44195-00	239-44195-00	239-44195-00	239-44195-00	239-44195-00
10	Screw-#10-12 x 3/4 HWH	239-44113-00	239-44113-00	239-44113-00	239-44113-00	239-44113-00
11	Left Side Inner Door Complete	239-43968-18	239-43968-18	239-43968-14	239-43968-18	239-43968-16
12	Nat. Gas Right Side Inner Door Complete	239-43963-07	239-43963-07	239-43963-02	239-43963-07	239-43963-05
	LP Gas Right Side Inner Door Complete	239-43963-07	239-43963-07	239-43963-02	239-43963-07	239-43963-04
13	Nat. Gas Resettable Thermal Switch	239-43676-02	239-43676-02	239-43676-03	239-43676-02	239-43676-03
	LP Gas Resettable Thermal Switch	239-43676-02	239-43676-02	239-43676-03	239-43676-02	239-43676-02
14	Screw-#6-20 x 3/8 PHCR	239-43967-00	239-43967-00	239-43967-00	239-43967-00	239-43967-00
15	Outer Door	243-43962-00	243-43962-00	243-43962-00	243-43962-00	243-43962-00
Natural Gas (BN) Burner Assembly						
16	Nat Gas Burner Assembly Complete***	265-47439-07-32	265-47439-07-27	265-47439-02-36	265-47439-07-32	265-47439-04-32
17	Nat. Gas (BN) Burner**	228-42506-00	228-42506-00	228-42506-00	228-42506-00	228-42506-00
18	Nat. Gas (BN) Main Burner Orifice**	234-41034-32	234-41034-27	234-41034-36	234-41034-32	234-41034-32
	Nat. Gas (BN) High Altitude 2001 Ft. to 5000 Ft.**	234-41034-36	234-41034-29	234-41034-39	234-41034-36	234-41034-36
	Nat. Gas (BN) High Altitude 5001 Ft. to 8000 Ft.**	234-41034-38	234-41034-30	234-41034-41	234-41034-38	234-41034-36
	Nat. Gas (BN) High Altitude Over 8000 Ft.**	234-41034-38	234-41034-31	234-41034-43	234-41034-38	234-41034-38
19	Nat. Gas Pilot Assembly (White Rodgers)**	233-46277-04	233-46277-04	233-46277-04	233-46277-04	233-46277-04
	Nat. Gas Pilot Assembly (Honeywell)**	233-47845-05	233-47845-05	233-47845-05	233-47845-05	233-47845-05
20	Nat. Gas Pilot Orifice (White Rodgers)**	234-46502-05	234-46502-05	234-46502-05	234-46502-05	234-46502-05
21	Thermocouple (White Rodgers)**	233-46501-15	233-46501-24	233-46501-15	233-46501-24	233-46501-15
LP Gas (SX) Titanium Stabilized Stainless Steel Burner Assembly						
(Replacement for LP Gas (CX) Cast Iron Burner)						
22	LP Gas Burner Assembly Complete***	265-47440-11-50	265-47440-12-43	265-47440-02-60	265-47440-11-50	265-47440-05-52
23	LP Gas (SX) Burner**	228-46964-00	228-47000-00	228-46964-00	228-46964-00	228-46964-00
24	LP Gas (SX) Main Burner Orifice**	234-47064-50	234-47064-43	234-47064-60	234-47064-50	234-47064-52
	LP Gas (SX) High Altitude 2001 Ft. to 5000 Ft.**	234-47064-51	234-47064-46	234-47064-54	234-47064-51	234-47064-53
	LP Gas (SX) High Altitude 5001 Ft. to 8000 Ft.**	234-47064-52	234-47064-47	234-47064-54	234-47064-52	234-47064-54
	LP Gas (SX) High Altitude Over 8000 Ft.**	234-47064-53	234-47064-47	234-47064-54	234-47064-53	234-47064-54
25	LP Gas Pilot Assembly (White Rodgers)**	233-46278-03	233-46278-03	233-46278-03	233-46278-03	233-46278-03
	LP Gas Pilot Assembly (Honeywell)**	233-47846-05	233-47846-05	233-47846-05	233-47846-05	233-47846-05
26	LP Gas Pilot Orifice (White Rodgers)**	234-46502-02	234-46502-02	234-46502-02	234-46502-02	234-46502-02
27	Thermocouple (White Rodgers)**	233-46501-15	233-46501-24	233-46501-15	233-46501-24	233-46501-15
28	ASSE Approved Mixing Valve (Optional)	239-43740-01	239-43740-01	239-43740-01	239-43740-01	239-43740-01
29	3/4 NPT Plug	239-11638-00	239-11638-00	---	---	---
30	Inner Door Gasket Kit	239-44078-00	239-44078-00	239-44078-00	239-44078-00	239-44078-00
31	Wire Tie	239-44328-00	239-44328-00	239-44328-00	239-44328-00	239-44328-00
32	Heat Trap Insert (Outlet)	239-45167-00	239-45167-00	239-45167-00	239-45167-00	239-45167-00
33	Heat Trap Insert (Inlet)	239-45073-00	239-45073-00	239-45073-00	239-45073-00	239-45073-00
34	Kit-Heat Trap Insert	265-45420-00	265-45420-00	265-45420-00	265-45420-00	265-45420-00
-	LP to Natural Gas Conversion Kit (Norm Alt.)	265-45712-05	265-45712-12	265-45712-09	265-45712-11	265-45712-10
-	LP to Natural Gas Conversion Kit (High Alt.)	265-45712-17	265-45712-24	265-45712-21	265-45712-23	265-45712-22

*Applies to all warranties

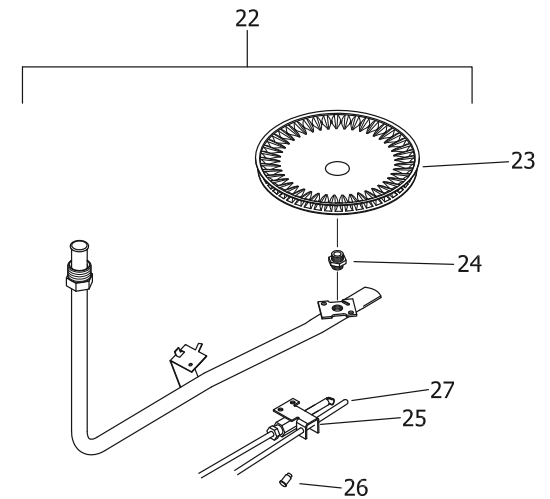
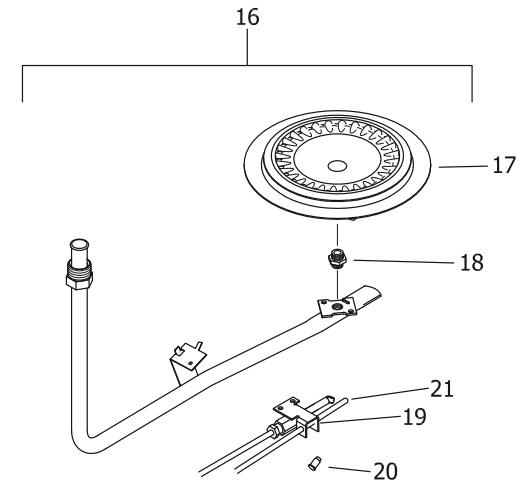
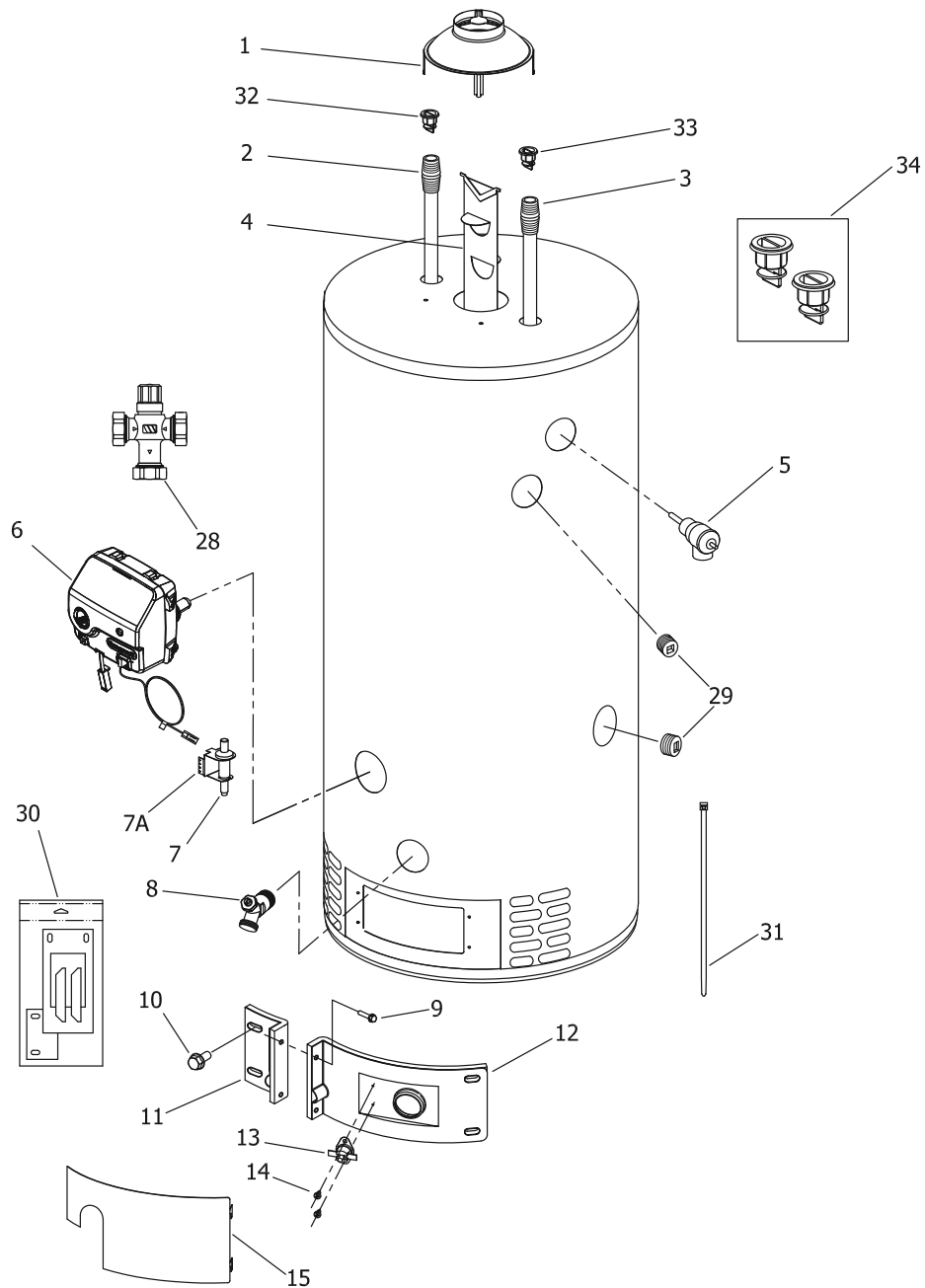
**Inner door gasket kit recommended

***Ordering a complete burner assembly may increase delivery time. Please order the specific component required for the quickest delivery.

▲ Order with item 32

▲▲ Order with item 33

#A420 Anode may need to be cut to length



LP GAS (SX) BURNER ASSEMBLY TO REPLACE LP GAS (CX) BURNER ASSEMBLY
ON ALL MODELS EXCEPT 75 & 100 GAL. MODELS

Item	Description	Model	Model	Model	Model	Model
		M4503*F(BN,CX,SX)	M460T*F(BN,CX,SX)	M2XR65T*F(BN,CX,SX)	50T65F(B,C,S)*(N,X)	65T65F(B,C,S)*(N,X)
1	Draft Hood	243-45787-00	243-45787-00	243-33081-02-20	243-33081-02-20	243-33081-02-20
2	Hot Water Outlet Anode Magnesium ▲	224-47776-12	224-47776-12	224-47776-08	224-47776-12	224-47776-08
	Hot Water Outlet Aluminum ▲	224-32999-21	224-32999-24	224-32999-06	224-32999-21	224-32999-06
	Hot Water Outlet A420 Aluminum ▲#	224-49560-08	224-49560-08	224-49560-08	224-49560-08	224-49560-08
3	Cold Water Inlet Dip Tube Polypropylene ▲▲	229-39625-22	229-39625-14	229-45398-07	229-39625-19	229-39625-04
	Cold Water Inlet Polysulfone (NC Code)▲▲	229-39628-21	229-39628-14	229-45092-04	229-39628-19	229-39628-04
4	Flue Baffle	243-44705-00	243-42283-00	243-46752-00	243-41037-00	243-46752-00
5	T&P Relief Valve	230-40594-02	230-40594-02	230-40594-02	230-40594-02	230-40594-02
6	Gas Control Direct Replacement Natural Gas	239-47463-02	239-47463-02	239-47463-02	239-47464-02	239-47464-02
	Gas Control Direct Replacement LP Gas	239-47465-02	239-47465-02	239-47465-02	239-47466-02	239-47466-02
	Gas Control Universal Replacement Natural Gas	239-47851-00	239-47851-00	239-47851-00	239-47857-00	239-47857-00
	Gas Control Universal Replacement LP Gas	239-47856-00	239-47856-00	239-47856-00	239-47858-00	239-47858-00
7	Piezo Igniter (White Rodgers/Robertshaw)	239-43448-00	239-43448-00	239-43448-00	239-43448-00	239-43448-00
7A	Piezo Bracket (White Rodgers)	239-46157-02	239-46157-02	239-46157-02	239-46157-02	239-46157-02
	Piezo Bracket (Robertshaw)	239-43449-00	239-43449-00	239-43449-00	239-43449-00	239-43449-00
8	Brass Drain Valve	265-42351-02	265-42351-02	265-42351-02	265-42351-02	265-42351-02
9	Screw-#8-18 x 3/4 HWH	239-44195-00	239-44195-00	239-44195-00	239-44195-00	239-44195-00
10	Screw-#10-12 x 3/4 HWH	239-44113-00	239-44113-00	239-44113-00	239-44113-00	239-44113-00
11	Left Side Inner Door Complete	239-43968-18	239-43968-20	239-43968-20	239-43968-18	239-43968-20
12	Nat. Gas Right Side Inner Door Complete	239-43963-07	239-43963-12	239-43963-09	239-43963-07	239-43963-09
	LP Gas Right Side Inner Door Complete	239-43963-07	239-43963-13	239-43963-12	239-43963-07	239-43963-12
13	Nat. Gas Resettable Thermal Switch	239-43676-02	239-43676-02	239-43676-02	239-43676-02	239-43676-01
	LP Gas Resettable Thermal Switch	239-43676-02	239-43676-03	239-43676-02	239-43676-02	239-43676-02
14	Screw-#6-20 x 3/8 PHCR	239-43967-00	239-43967-00	239-43967-00	239-43967-00	239-43967-00
15	Outer Door	243-43962-00	243-43962-00	243-43962-00	243-43962-00	243-43962-00
Natural Gas (BN) Burner Assembly						
16	Nat Gas Burner Assembly Complete***	265-47439-07-32	265-47439-10-32	265-47439-10-27	265-47439-07-27	265-47439-10-27
17	Nat. Gas (BN) Burner**	228-42506-00	228-42506-00	228-42506-00	228-42506-00	228-42506-00
18	Nat. Gas (BN) Main Burner Orifice**	234-41034-32	234-41034-32	234-41034-27	234-41034-27	234-41034-27
	Nat. Gas (BN) High Altitude 2001 Ft. to 5000 Ft.**	234-41034-36	234-41034-36	234-41034-29	234-41034-29	234-41034-29
	Nat. Gas (BN) High Altitude 5001 Ft. to 8000 Ft.**	234-41034-38	234-41034-38	234-41034-30	234-41034-30	234-41034-30
	Nat. Gas (BN) High Altitude Over 8000 Ft.**	234-41034-38	234-41034-38	234-41034-31	234-41034-31	234-41034-31
19	Nat. Gas Pilot Assembly (White Rodgers)**	233-46277-04	233-46277-04	233-46277-04	233-46277-04	233-46277-04
	Nat. Gas Pilot Assembly (Honeywell)**	233-47845-05	233-47845-05	233-47845-05	233-47845-05	233-47845-05
20	Nat. Gas Pilot Orifice (White Rodgers)**	234-46502-05	234-46502-05	234-46502-05	234-46502-05	234-46502-05
21	Thermocouple (White Rodgers)**	233-46501-24	233-46501-24	233-46501-24	233-46501-24	233-46501-24
LP Gas (SX) Titanium Stabilized Stainless Steel Burner Assembly						
(Replacement for LP Gas (CX) Cast Iron Burner)						
22	LP Gas Burner Assembly Complete***	265-47440-11-51	265-47440-17-50	265-47440-18-43	265-47440-12-43	265-47440-18-43
23	LP Gas (SX) Burner**	228-46964-00	228-46964-00	228-47000-00	228-47000-00	228-47000-00
24	LP Gas (SX) Main Burner Orifice**	234-47064-51	234-47064-50	234-47064-43	234-47064-43	234-47064-43
	LP Gas (SX) High Altitude 2001 Ft. to 5000 Ft.**	234-47064-53	234-47064-51	234-47064-46	234-47064-46	234-47064-46
	LP Gas (SX) High Altitude 5001 Ft. to 8000 Ft.**	234-47064-53	234-47064-52	234-47064-47	234-47064-47	234-47064-47
	LP Gas (SX) High Altitude Over 8000 Ft.**	234-47064-54	234-47064-54	234-47064-47	234-47064-47	234-47064-47
25	LP Gas Pilot Assembly (White Rodgers)**	233-46278-03	233-46278-03	233-46278-03	233-46278-03	233-46278-03
	LP Gas Pilot Assembly (Honeywell)**	233-47846-05	233-47846-05	233-47846-05	233-47846-05	233-47846-05
26	LP Gas Pilot Orifice (White Rodgers)**	234-46502-02	234-46502-02	234-46502-02	234-46502-02	234-46502-02
27	Thermocouple (White Rodgers)**	233-46501-24	233-46501-24	233-46501-24	233-46501-24	233-46501-24
28	ASSE Approved Mixing Valve (Optional)	239-43740-01	239-43740-01	239-43740-01	239-43740-01	239-43740-01
29	3/4 NPT Plug	---	---	239-11638-00	239-11638-00	239-11638-00
30	Inner Door Gasket Kit	239-44078-00	239-44078-00	239-44078-00	239-44078-00	239-44078-00
31	Wire Tie	239-44328-00	239-44328-00	239-44328-00	239-44328-00	239-44328-00
32	Heat Trap Insert (Outlet)	239-45167-00	239-45167-00	239-45167-00	239-45167-00	239-45167-00
33	Heat Trap Insert (Inlet)	239-45073-00	239-45073-00	239-45073-00	239-45073-00	239-45073-00
34	Kit-Heat Trap Insert	265-45420-00	265-45420-00	265-45420-00	265-45420-00	265-45420-00
-	LP to Natural Gas Conversion Kit (Norm Alt.)	265-45712-11	265-45712-29	265-45712-47	265-45712-25	265-45712-48
-	LP to Natural Gas Conversion Kit (High Alt.)	265-45712-23	265-45712-30	265-45712-49	265-45712-26	265-45712-50

*Applies to all warranties

**Inner door gasket kit recommended

***Ordering a complete burner assembly may increase delivery time. Please order the specific component required for the quickest delivery.

▲ Order with item 32

▲▲ Order with item 33

#A420 Anode may need to be cut to length



BRADFORD WHITE®

W A T E R H E A T E R S

Ambler, PA

For U.S. and Canada field service,
contact your professional installer or
local Bradford White sales representative.

Sales/800-523-2931
Fax/215-641-1670
Parts Fax/215-641-2180

Technical Support/800-334-3393
Fax/269-795-1089

Warranty/800-531-2111
Fax/269-795-1089

International:
Telephone/215-641-9400
Telefax/215-641-9750



BRADFORD WHITE-CANADA® INC.

Mississauga, ON

Sales/866-690-0961
905-238-0100

Fax/905-238-0105

Technical Support/800-334-3393

Email

parts@bradfordwhite.com
techserv@bradfordwhite.com

www.bradfordwhite.com