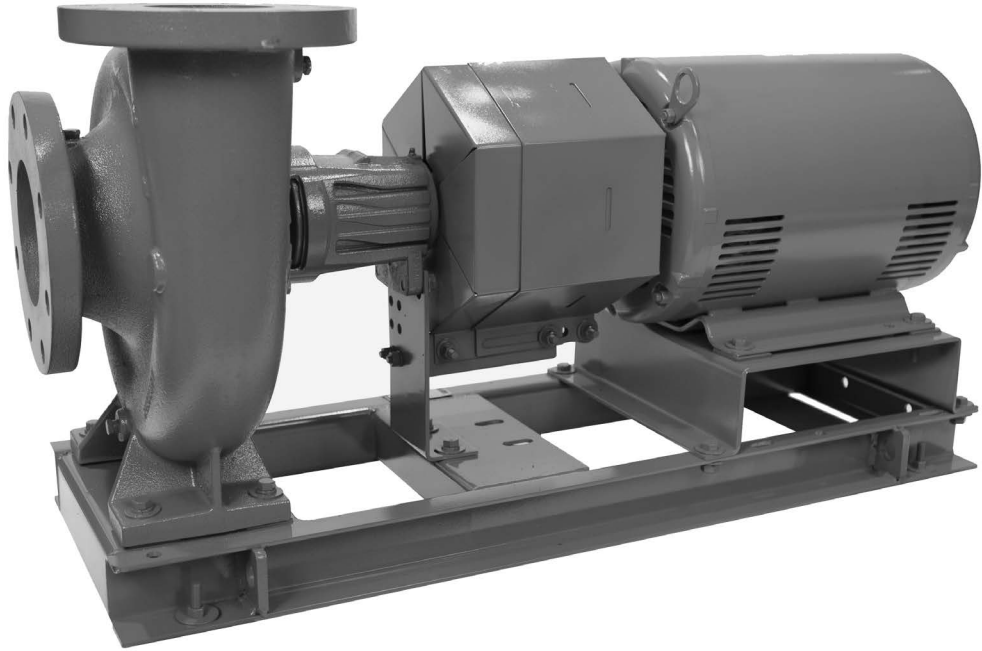


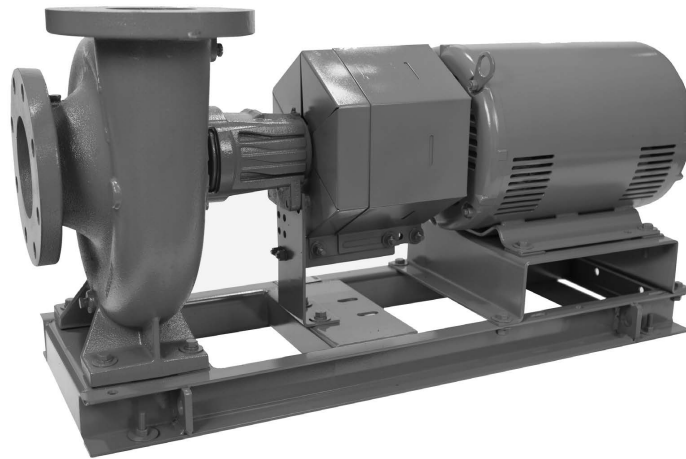
REPLACEMENT PARTS
RE530SLSB



Marlow Series e-530SL

REPLACEMENT PARTS STUFFING BOX PUMPS

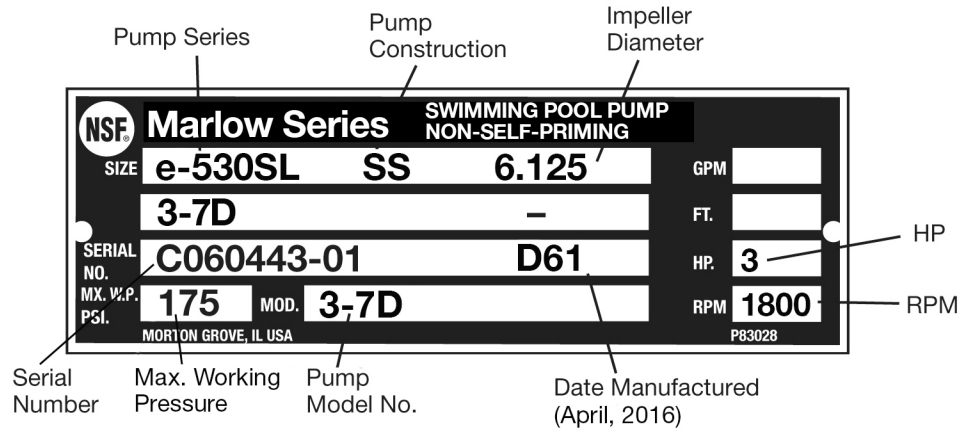
 **GOULDS**
WATER TECHNOLOGY
a xylem brand



Index

Nameplate Data	3
Exploded Views	4
1.25-7D, 1.5-7D, 2-7D, 2.5-7C, 3-7D, 4-7D, 5-7	6
1.25-9C, 1.5-9C, 2-9D, 2.5-9B, 3-9D, 4-9D, 5-9D, 6-9D	7
2-11B, 3-11B, 4-11B, 5-11B, 6-11	8
2-13B, 3-13B, 4-13C, 5-13B, 6-13, 8-13B	9
TB Woods Sure-Flex Coupling Selection Table	10
Rexnord Omega Coupling Selection Table	11
ANSI/OSHA Guard & Bracket Kit Selection Table	12
Galvanized Drip Pans	13
Accessories	14

Nameplate Data



The pump nameplate identifies the pump by pipe size, pump construction and impeller diameter as shown above. In this example, the nameplate shows a Series e-530SL, size 3-7D in stainless steel fitted (SSF) construction. The seal configuration is a “-S” (Stuffing Box) design. The pump was furnished with a 6.125" impeller diameter and a 3horsepower, 1800 RPM synchronous speed motor. The serial number specifically identifies the pump for future reference.

DO NOT REMOVE THE NAMEPLATE. It is important when ordering replacement parts to furnish complete nameplate data.

The Series e-530SL pump is furnished in a “Standard Seal” or “Stuffing Box” construction. The “Stuffing Box” model has two seal configurations:

- "-S" Single Seal
- "-PF" Packing Rings

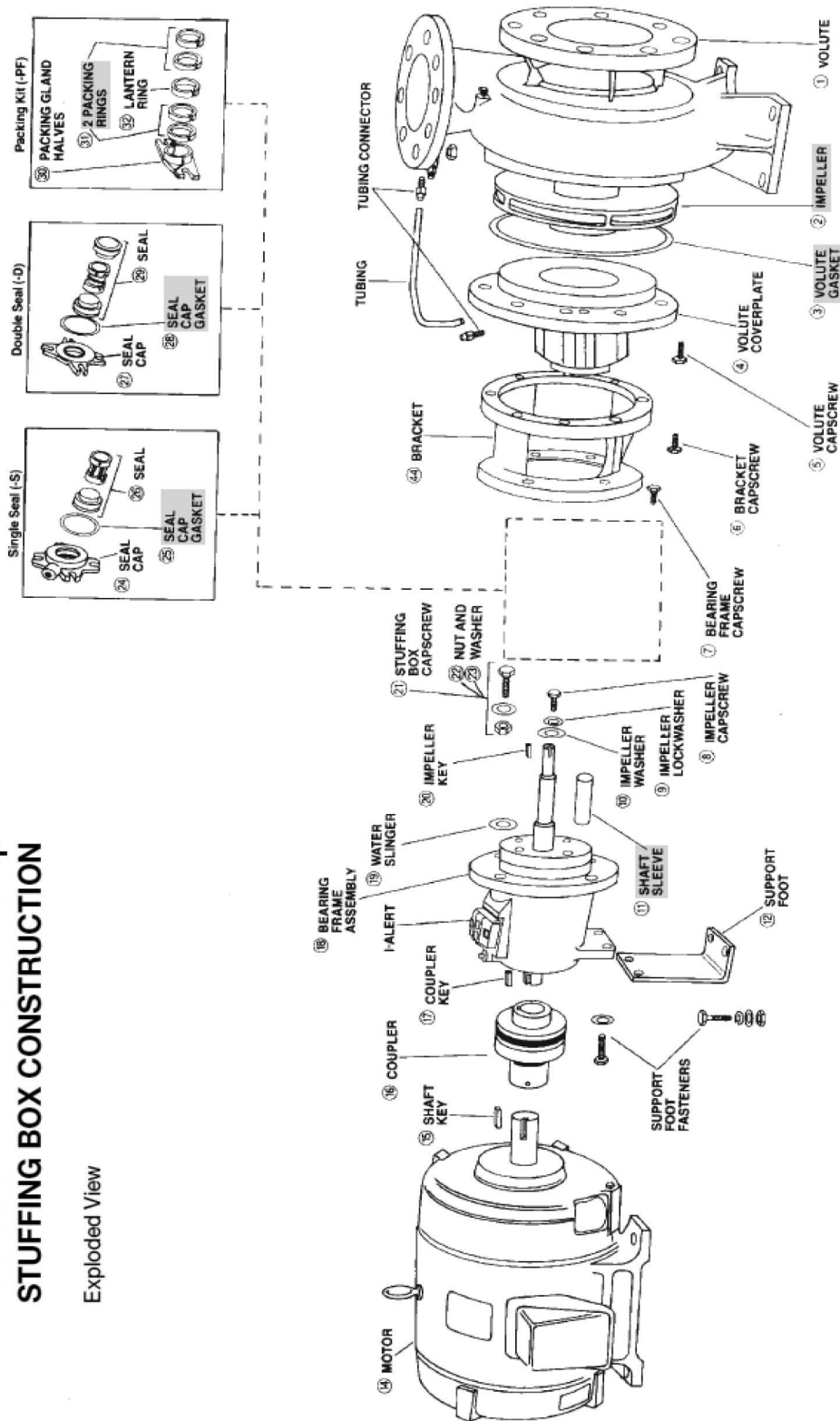
The “Standard Seal” pump has no seal designation after the Series number on the nameplate. Parts for the “Standard Seal” pumps are covered in the CP-208-PL parts list.

To ensure the correct parts are selected, use the following procedure:

1. Determine from the nameplate the pump size, seal configuration, pump construction and impeller diameter.
2. Measure shaft sleeve diameter at the seal.
3. Refer to the index for the page number of the parts breakdown for the specific size pump.
4. Find the proper column in the parts breakdown for the pump construction involved.
5. Select part numbers using the exploded view numbered drawing for identification. Where shaft diameter affects parts selection, use the measurement secured in Step 2.

Series e-530SL Pump** STUFFING BOX CONSTRUCTION

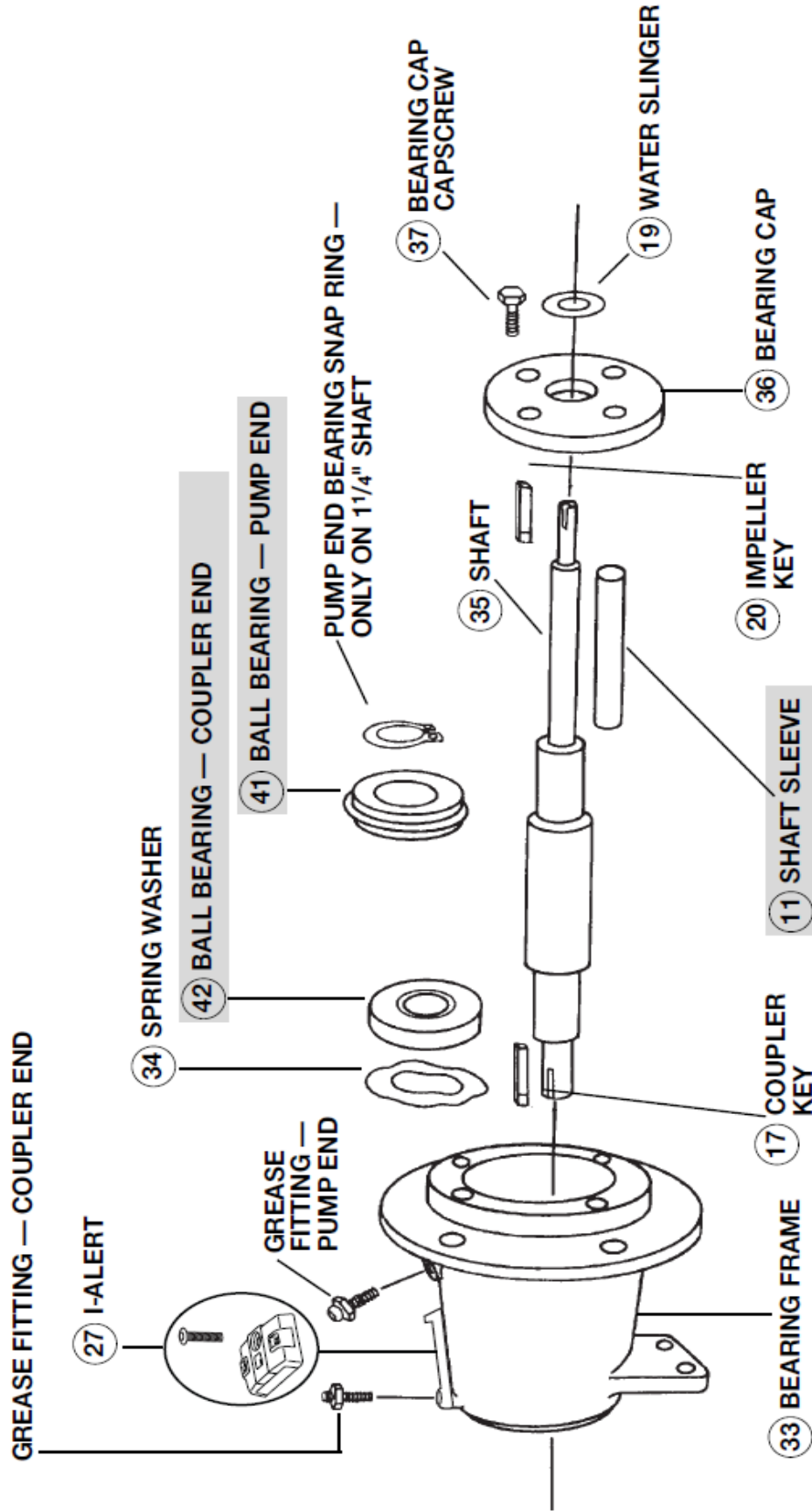
Exploded View



■ – Factory recommended spare parts

Ball Bearing Frame Assembly**

STUFFING BOX CONSTRUCTION



Note: Bearing lockwasher, bearing locknut and coupler end bearing cap (not shown) used on extra large bearing assembly only.

— Factory recommended spare parts

ITEM	DESCRIPTION (QTY)	1.25-7D	1.5-7D	2-7D	2.5-7C	3-7D	4-7D	5-7		
STUFFING BOX CONFIGURATION (-S, -PF)										
1	Volute (175 MWP)	P2000822	P2000838	P2000852	P2000848	P2000856	P2000832	P43663		
1	Volute (175 MWP) with Stainless Steel Wear Ring	P2000899	P2000900	P2001194	P2000901	P2000902	P2000904	P2001642		
1	Volute (250 MWP)	Not Available						P2000906	P43664	
1	Volute (250 MWP) with Stainless Steel Wear Ring	Not Available						P2000907	P2001696	
	Stainless Steel Wear Ring	P2001179	P2001180	P2001195	P2001181	P2001182	P2001183	P2001645		
	Volute Drain Plug (4)	P39020	P39020	P39040	P39040	P39040	P39040	P39040		
3	Volute Gasket	P57700	P57700	P57700	P57700	P57700	P57700	P57700		
16	Refer to Coupling Selection Table									
	See ANSI/OSHA Guard & Bracket Kit Selection Table									
Parts for Pumps with 1.25" Shaft Sleeve Diameter at Mechanical Seal (Small Bore)										
2	Impeller (State Diameter) 7" Full Diameter	P2000824	P2000840	P2000854	P2000850	P2000858	P2000919	P2001003		
4	Volute Coverplate	P85027	P85027	P85027	P85027	P85027	P85027	P85027		
5	Volute Capscrew (175 MWP) (8)	P40020	P40020	P40020	P40020	P40020	P40020	P40020		
5	Volute Capscrew (250 MWP) (8)	Not Available						J91757	J91757	
44	Bracket	P85023	P85023	P85023	P85023	P85023	P85023	P85023		
11	Stainless Steel Shaft Sleeve	P85075	P85075	P85075	P85075	P85075	P85075	P85075		
18	Complete Bearing Frame Assembly	185321	185321	185321	185321	185321	185321	185321		
33	Bearing Frame	P85014	P85014	P85014	P85014	P85014	P85014	P85014		
35	Shaft	P85017	P85017	P85017	P85017	P85017	P85017	P85017		
8	Impeller Capscrew	P52350	P52350	P52350	P52350	P52350	P52350	P52350		
9	Impeller Lockwasher	J23874	J23874	J23874	J23874	J23874	J23874	J23874		
10	Impeller Washer	P46380	P46380	P46380	P46380	P46380	P46380	P46380		
20	Impeller Key	P49369	P49369	P49369	P49369	P49369	P49369	P49369		
17	Coupling Key	P49373	P49373	P49373	P49373	P49373	P49373	P49373		
19	Water Slinger	P53550	P53550	P53550	P53550	P53550	P53550	P53550		
34	Spring Washer	J92558	J92558	J92558	J92558	J92558	J92558	J92558		
36	Bearing Cap	P85020	P85020	P85020	P85020	P85020	P85020	P85020		
37	Bearing Cap Capscrew (4)	P32000	P32000	P32000	P32000	P32000	P32000	P32000		
41	Ball Bearing – Pump End	186002NG	186002NG	186002NG	186002NG	186002NG	186002NG	186002NG		
42	Ball Bearing – Coupling End	186001NG	186001NG	186001NG	186001NG	186001NG	186001NG	186001NG		
Mechanical Seal for Stuffing Box Configuration (-S) (Small Bore)										
26	Seal Assembly EPR / Carbon vs Tungsten Carbide	P85070	P85070	P85070	P85070	P85070	P85070	P85070		
24	Seal Cap	P85082	P85082	P85082	P85082	P85082	P85082	P85082		
21	Seal Cap Capscrew (4)	H28100	H28100	H28100	H28100	H28100	H28100	H28100		
22	Seal Cap Nut (4)	P52380	P52380	P52380	P52380	P52380	P52380	P52380		
23	Seal Cap Washer (4)	P10910	P10910	P10910	P10910	P10910	P10910	P10910		
25	Seal Cap Gasket	P85077	P85077	P85077	P85077	P85077	P85077	P85077		
Packing for Stuffing Box Configuration (-PF) (Small Bore)										
31	Packing Ring Set (4 Pieces Per Set)	P82070	P82070	P82070	P82070	P82070	P82070	P82070		
32	Lantern Ring (2 Halves Per Set)	P84985	P84985	P84985	P84985	P84985	P84985	P84985		
30	Packing Gland Halves (2)	P85049	P85049	P85049	P85049	P85049	P85049	P85049		
21	Packing Gland Capscrew (2)	J92052	J92052	J92052	J92052	J92052	J92052	J92052		
22	Packing Gland Nut (2)	J91659	J91659	J91659	J91659	J91659	J91659	J91659		
23	Packing Gland Washer (2)	J91649	J91649	J91649	J91649	J91649	J91649	J91649		
Parts for Pumps with 1.625" Shaft Sleeve Diameter at Mechanical Seal (Large Bore)										
2	Impeller (State Diameter) 7" Full Diameter	Not Available	P2000911	P2001149	P2000909	P2000860	P2000921	P2001005		
4	Volute Coverplate		P85035	P85035	P85035	P85035	P85035	P85035		
5	Volute Capscrew (175 MWP) (8)		DJ0081	DJ0081	DJ0081	DJ0081	DJ0081	DJ0081		
5	Volute Capscrew (250 MWP) (8)		Not Available						J91758	J91758
44	Bracket		P85025	P85025	P85025	P85025	P85025	P85025		
11	Stainless Steel Shaft Sleeve Kit		185022	185022	185022	185022	185022	185022		
18	Complete Bearing Frame Assembly		185323	185323	185323	185323	185323	185323		
33	Bearing Frame		P85016	P85016	P85016	P85016	P85016	P85016		
35	Shaft		P85018	P85018	P85018	P85018	P85018	P85018		
8	Impeller Capscrew		P13800	P13800	P13800	P13800	P13800	P13800		
9	Impeller Lockwasher		J23875	J23875	J23875	J23875	J23875	J23875		
10	Impeller Washer		P51230	P51230	P51230	P51230	P51230	P51230		
20	Impeller Key		P49372	P49372	P49372	P49372	P49372	P49372		
17	Coupling Key		P49373	P49373	P49373	P49373	P49373	P49373		
19	Water Slinger		P77320	P77320	P77320	P77320	P77320	P77320		
34	Spring Washer		J92560	J92560	J92560	J92560	J92560	J92560		
36	Bearing Cap		P85065	P85065	P85065	P85065	P85065	P85065		
37	Bearing Cap Capscrew (4)		DJ0034	DJ0034	DJ0034	DJ0034	DJ0034	DJ0034		
41	Ball Bearing – Pump End		186571NG	186571NG	186571NG	186571NG	186571NG	186571NG		
42	Ball Bearing – Coupling End		186572NG	186572NG	186572NG	186572NG	186572NG	186572NG		
Mechanical Seal for Stuffing Box Configuration (-S) (Large Bore)										
26	Seal Assembly EPR / Carbon vs Tungsten Carbide		Not Available	185050	185050	185050	185050	185050	185050	
24	Seal Cap			P85086	P85086	P85086	P85086	P85086	P85086	
21	Seal Cap Capscrew (4)	H28100		H28100	H28100	H28100	H28100	H28100		
22	Seal Cap Nut (4)	P52380		P52380	P52380	P52380	P52380	P52380		
23	Seal Cap Washer (4)	P10910		P10910	P10910	P10910	P10910	P10910		
25	Seal Cap Gasket	P85078		P85078	P85078	P85078	P85078	P85078		
Packing for Stuffing Box Configuration (-PF) (Large Bore)										
31	Packing Ring Set (4 Pieces Per Set)	Not Available	P82072	P82072	P82072	P82072	P82072	P82072		
32	Lantern Ring (2 Halves Per Set)		P84986	P84986	P84986	P84986	P84986	P84986		
30	Packing Gland Halves (2)		P85051	P85051	P85051	P85051	P85051	P85051		
21	Packing Gland Capscrew (2)		J92052	J92052	J92052	J92052	J92052	J92052		
22	Packing Gland Nut (2)		J91659	J91659	J91659	J91659	J91659	J91659		
23	Packing Gland Washer (2)		J91649	J91649	J91649	J91649	J91649	J91649		

ITEM	DESCRIPTION (QTY)	1.25-9C	1.5-9C	2-9D	2.5-9B	3-9D	4-9D	5-9D	6-9D			
STUFFING BOX CONFIGURATION (-S, -PF)												
1	Volute (175 MWP)	P41620	P41780	P2000842	P42542	P2000826	P2000862	P2000913	P2001162			
	Volute (175 MWP) with Stainless Steel Wear Ring	P2001189	P2001646	P2001650	P2002291	P2000903	P2001196	P2001199	P2002296			
	Volute (250 MWP)	Not Available						P2001200	P2002299			
	Volute (250 MWP) with Stainless Steel Wear Ring	Not Available						P2001201	P2002300			
	Stainless Steel Wear Ring	P2001184	P2001649	P2001653	P2002294	P2001185	P2001197	P2001202	P2002303			
	Volute Drain Plug (4)	P39020	P39020	P39040	P39040	P39040	P39040	P39040	P39040			
3	Volute Gasket	P48690	P48690	P48690	P48690	P48690	P48690	P48690	P48690			
16	Refer to Coupling Selection Table											
	See ANSI/OSHA Guard & Bracket Kit Selection Table											
Parts for Pumps with 1.25" Shaft Sleeve Diameter at Mechanical Seal (Small Bore)												
2	Impeller (State Diameter) 9.5" Full Diameter	P2001007	P2001011	P2000844	P2001745	P2000828	Not Available					
4	Volute Coverplate	P85031	P85031	P85031	P85031	P85031						
5	Volute Capscrew (175 MWP) (12)	P03470	P03470	P03470	P03470	P03470						
44	Bracket	P85023	P85023	P85023	P85023	P85023						
11	Shaft Sleeve	P85075	P85075	P85075	P85075	P85075						
18	Complete Bearing Frame Assembly	185321	185321	185321	185321	185321						
33	Bearing Frame	P85014	P85014	P85014	P85014	P85014						
35	Shaft	P85017	P85017	P85017	P85017	P85017						
8	Impeller Capscrew	P52350	P52350	P52350	P52350	P52350						
9	Impeller Lockwasher	J23874	J23874	J23874	J23874	J23874						
10	Impeller Washer	P46380	P46380	P46380	P46380	P46380						
20	Impeller Key	P49369	P49369	P49369	P49369	P49369						
17	Coupling Key	P49373	P49373	P49373	P49373	P49373						
19	Water Slinger	P53550	P53550	P53550	P53550	P53550						
34	Spring Washer	J92558	J92558	J92558	J92558	J92558						
36	Bearing Cap	P85020	P85020	P85020	P85020	P85020						
37	Bearing Cap Capscrew (4)	P32000	P32000	P32000	P32000	P32000						
41	Ball Bearing – Pump End	186002NG	186002NG	186002NG	186002NG	186002NG						
42	Ball Bearing – Coupling End	186001NG	186001NG	186001NG	186001NG	186001NG						
Mechanical Seal for Stuffing Box Configuration (-S) (Small Bore)												
26	Seal Assembly EPR / Carbon vs Tungsten Carbide	P85070	P85070	P85070	P85070	P85070				P85070	P85070	P85070
24	Seal Cap	P85082	P85082	P85082	P85082	P85082				P85082	P85082	P85082
21	Seal Cap Capscrew (4)	H28100	H28100	H28100	H28100	H28100				H28100	H28100	H28100
22	Seal Cap Nut (4)	P52380	P52380	P52380	P52380	P52380	P52380	P52380	P52380			
23	Seal Cap Washer (4)	P10910	P10910	P10910	P10910	P10910	P10910	P10910	P10910			
25	Seal Cap Gasket	P85077	P85077	P85077	P85077	P85077	P85077	P85077	P85077			
Packing for Stuffing Box Configuration (-PF) (Small Bore)												
31	Packing Ring Set (4 Pieces Per Set)	P82070	P82070	P82070	P82070	P82070	P82070	P82070	P82070			
32	Lantern Ring (2 Halves Per Set)	P84985	P84985	P84985	P84985	P84985	P84985	P84985	P84985			
30	Packing Gland Halves (2)	P85049	P85049	P85049	P85049	P85049	P85049	P85049	P85049			
21	Packing Gland Capscrew (2)	J92052	J92052	J92052	J92052	J92052	J92052	J92052	J92052			
22	Packing Gland Nut (2)	J91659	J91659	J91659	J91659	J91659	J91659	J91659	J91659			
23	Packing Gland Washer (2)	J91649	J91649	J91649	J91649	J91649	J91649	J91649	J91649			
Parts for Pumps with 1.625" Shaft Sleeve Diameter at Mechanical Seal (Large Bore)												
2	Impeller (State Diameter) 9.5" Full Diameter	P2001009	P2001013	P2000846	P2001747	P2000830	P2000866	P2000917	P2000870			
4	Volute Coverplate	P85039	P85039	P85039	P85039	P85039	P85039	P85039	P85039			
5	Volute Capscrew (175 MWP) (12)	P03470	P03470	P03470	P03470	P03470	P03470	P03470	P03470			
	Volute Capscrew (250 MWP) (12)	Not Available						J91759	J91759			
44	Bracket	P85025	P85025	P85025	P85025	P85025	P85025	P85025	P85025			
11	Shaft Sleeve Kit	185022	185022	185022	185022	185022	185022	185022	185022			
18	Complete Bearing Frame Assembly	185323	185323	185323	185323	185323	185323	185323	185323			
33	Bearing Frame	P85016	P85016	P85016	P85016	P85016	P85016	P85016	P85016			
35	Shaft	P85018	P85018	P85018	P85018	P85018	P85018	P85018	P85018			
8	Impeller Capscrew	P13800	P13800	P13800	P13800	P13800	P13800	P13800	P13800			
9	Impeller Lockwasher	J23875	J23875	J23875	J23875	J23875	J23875	J23875	J23875			
10	Impeller Washer	P51230	P51230	P51230	P51230	P51230	P51230	P51230	P51230			
20	Impeller Key	P49372	P49372	P49372	P49372	P49372	P49372	P49372	P49372			
17	Coupling Key	P49373	P49373	P49373	P49373	P49373	P49373	P49373	P49373			
19	Water Slinger	P77320	P77320	P77320	P77320	P77320	P77320	P77320	P77320			
34	Spring Washer	J92560	J92560	J92560	J92560	J92560	J92560	J92560	J92560			
36	Bearing Cap	P85065	P85065	P85065	P85065	P85065	P85065	P85065	P85065			
37	Bearing Cap Capscrew (4)	DJ0034	DJ0034	DJ0034	DJ0034	DJ0034	DJ0034	DJ0034	DJ0034			
41	Ball Bearing – Pump End	186571NG	186571NG	186571NG	186571NG	186571NG	186571NG	186571NG	186571NG			
42	Ball Bearing – Coupling End	186572NG	186572NG	186572NG	186572NG	186572NG	186572NG	186572NG	186572NG			
Mechanical Seal for Stuffing Box Configuration (-S) (Large Bore)												
26	Seal Assembly EPR / Carbon vs Tungsten Carbide	185050	185050	185050	185050	185050	185050	185050	185050			
24	Seal Cap	P85086	P85086	P85086	P85086	P85086	P85086	P85086	P85086			
21	Seal Cap Capscrew (4)	H28100	H28100	H28100	H28100	H28100	H28100	H28100	H28100			
22	Seal Cap Nut (4)	P52380	P52380	P52380	P52380	P52380	P52380	P52380	P52380			
23	Seal Cap Washer (4)	P10910	P10910	P10910	P10910	P10910	P10910	P10910	P10910			
25	Seal Cap Gasket	P85078	P85078	P85078	P85078	P85078	P85078	P85078	P85078			
Packing for Stuffing Box Configuration (-PF) (Large Bore)												
31	Packing Ring Set (4 Pieces Per Set)	P82072	P82072	P82072	P82072	P82072	P82072	P82072	P82072			
32	Lantern Ring (2 Halves Per Set)	P84986	P84986	P84986	P84986	P84986	P84986	P84986	P84986			
30	Packing Gland Halves (2)	P85051	P85051	P85051	P85051	P85051	P85051	P85051	P85051			
21	Packing Gland Capscrew (2)	J92052	J92052	J92052	J92052	J92052	J92052	J92052	J92052			
22	Packing Gland Nut (2)	J91659	J91659	J91659	J91659	J91659	J91659	J91659	J91659			
23	Packing Gland Washer (2)	J91649	J91649	J91649	J91649	J91649	J91649	J91649	J91649			

ITEM	DESCRIPTION (QTY)	2-11B	3-11B	4-11B	5-11B	6-11
STUFFING BOX CONFIGURATION (-S, -PF)						
1	Volute (175 MWP)	P2000872	P2001169	P2000894	P2001144	P43972
	Volute (175 MWP) with Stainless Steel Wear Ring	P2001659	P2002305	P2001668	P2002314	P2002323
	Volute (250 MWP)	P2001662	P2002308	P2001671	P2002317	P43973
	Volute (250 MWP) with Stainless Steel Wear Ring	P2001663	P2002309	P2001672	P2002318	P2002326
	Stainless Steel Wear Ring	P2001666	P2002312	P2001675	P2002321	P2002329
	Volute Drain Plug (4)	P39040	P39040	P39040	P39040	P39040
3	Volute Gasket	P80765	P80765	P80765	P80765	P80765
16	Refer to Coupling Selection Table					
	ANSI/OSHA Coupling Guard & Support Bracket Kit Selection					
Parts for Pumps with 1.25" Shaft Sleeve Diameter at Mechanical Seal (Small Bore)						
2	Impeller (State Diameter) 11" Full Diameter	P2000874	P2001171	P2000896	Not Available	
4	Volute Coverplate	P53052	P53052	P53052		
5	Volute Capscrew (175 MWP) (16)	P13780	P13780	P13780		
5	Volute Capscrew (250 MWP) (16)	P13780	P13780	P13780		
44	Bracket	P85023	P85023	P85023		
11	Shaft Sleeve	P85075	P85075	P85075		
18	Complete Bearing Frame Assembly	185321	185321	185321		
33	Bearing Frame	P85014	P85014	P85014		
35	Shaft	P85017	P85017	P85017		
8	Impeller Capscrew	P52350	P52350	P52350		
9	Impeller Lockwasher	J23874	J23874	J23874		
10	Impeller Washer	P46380	P46380	P46380		
20	Impeller Key	P49369	P49369	P49369		
17	Coupling Key	P49373	P49373	P49373		
19	Water Slinger	P53550	P53550	P53550		
34	Spring Washer	J92558	J92558	J92558		
36	Bearing Cap	P85020	P85020	P85020		
37	Bearing Cap Capscrew (4)	P32000	P32000	P32000		
41	Ball Bearing – Pump End	186002NG	186002NG	186002NG		
42	Ball Bearing – Coupling End	186001NG	186001NG	186001NG		
Mechanical Seal for Stuffing Box Configuration (-S) (Small Bore)						
26	Seal Assembly EPR / Carbon vs Tungsten Carbide	P85070	P85070	P85070	Not Available	
24	Seal Cap	P85082	P85082	P85082		
21	Seal Cap Capscrew (4)	H28100	H28100	H28100		
22	Seal Cap Nut (4)	P52380	P52380	P52380		
23	Seal Cap Washer (4)	P10910	P10910	P10910		
25	Seal Cap Gasket	P85077	P85077	P85077		
Packing for Stuffing Box Configuration (-PF) (Small Bore)						
31	Packing Ring Set (4 Pieces Per Set)	P82070	P82070	P82070	Not Available	
32	Lantern Ring (2 Halves Per Set)	P84985	P84985	P84985		
30	Packing Gland Halves (2)	P85049	P85049	P85049		
21	Packing Gland Capscrew (2)	J92052	J92052	J92052		
22	Packing Gland Nut (2)	J91659	J91659	J91659		
23	Packing Gland Washer (2)	J91649	J91649	J91649		
Parts for Pumps with 1.625" Shaft Sleeve Diameter at Mechanical Seal (Large Bore)						
2	Impeller (State Diameter) 11" Full Diameter	P2000876	P2001173	P2000898	P2001146	P2001741
4	Volute Coverplate	P53056	P53056	P53056	P53056	P53056
5	Volute Capscrew (175 MWP) (16)	P13780	P13780	P13780	P13780	P13780
5	Volute Capscrew (250 MWP) (16)	P13780	P13780	P13780	P13780	P13780
44	Bracket	P85025	P85025	P85025	P85025	P85025
11	Shaft Sleeve Kit	185022	185022	185022	185022	185022
18	Complete Bearing Frame Assembly	185323	185323	185323	185323	185323
33	Bearing Frame	P85016	P85016	P85016	P85016	P85016
35	Shaft	P85018	P85018	P85018	P85018	P85018
8	Impeller Capscrew	P13800	P13800	P13800	P13800	P13800
9	Impeller Lockwasher	J23875	J23875	J23875	J23875	J23875
10	Impeller Washer	P51230	P51230	P51230	P51230	P51230
20	Impeller Key	P49372	P49372	P49372	P49372	P49372
17	Coupling Key	P49373	P49373	P49373	P49373	P49373
19	Water Slinger	P77320	P77320	P77320	P77320	P77320
34	Spring Washer	J92560	J92560	J92560	J92560	J92560
36	Bearing Cap	P85065	P85065	P85065	P85065	P85065
37	Bearing Cap Capscrew (4)	DJ0034	DJ0034	DJ0034	DJ0034	DJ0034
41	Ball Bearing – Pump End	186571NG	186571NG	186571NG	186571NG	186571NG
42	Ball Bearing – Coupling End	186572NG	186572NG	186572NG	186572NG	186572NG
Mechanical Seal for Stuffing Box Configuration (-S) (Large Bore)						
26	Seal Assembly EPR / Carbon vs Tungsten Carbide	185050	185050	185050	185050	185050
24	Seal Cap	P85086	P85086	P85086	P85086	P85086
21	Seal Cap Capscrew (4)	H28100	H28100	H28100	H28100	H28100
22	Seal Cap Nut (4)	P52380	P52380	P52380	P52380	P52380
23	Seal Cap Washer (4)	P10910	P10910	P10910	P10910	P10910
25	Seal Cap Gasket	P85078	P85078	P85078	P85078	P85078
Packing for Stuffing Box Configuration (-PF) (Large Bore)						
31	Packing Ring Set (4 Pieces Per Set)	P82072	P82072	P82072	P82072	P82072
32	Lantern Ring (2 Halves Per Set)	P84986	P84986	P84986	P84986	P84986
30	Packing Gland Halves (2)	P85051	P85051	P85051	P85051	P85051
21	Packing Gland Capscrew (2)	J92052	J92052	J92052	J92052	J92052
22	Packing Gland Nut (2)	J91659	J91659	J91659	J91659	J91659
23	Packing Gland Washer (2)	J91649	J91649	J91649	J91649	J91649

ITEM	DESCRIPTION (QTY)	2-13B	3-13B	4-13C	5-13B	6-13	8-13B
STUFFING BOX CONFIGURATION (-S, -PF)							
1	Volute (175 MWP)	P2000890	P2000886	P2000882	P2001167	P44081	P2001155
	Volute (175 MWP) with Stainless Steel Wear Ring	P2002339	P2002348	P2001677	P2001204	P2002331	P2001654
	Volute (250 MWP)	P2002342	P2002351	P2001680	P2001205	P44082	Not Available
	Volute (250 MWP) with Stainless Steel Wear Ring	P2002343	P2002352	P2001681	P2001206	P2002334	Available
	Stainless Steel Wear Ring	P2002346	P2002355	P2001684	P2001207	P2002337	P2001657
	Volute Drain Plug (4)	P39040	P39040	P39040	P39040	P39040	P39040
3	Volute Gasket	P80767	P80767	P80767	P80767	P80767	P80767
16	Refer to Coupling Selection Table						
	See ANSI/OSHA Guard & Bracket Kit Selection Table						
Parts for Pumps with 1.625" Shaft Sleeve Diameter at Mechanical Seal (Large Bore)							
2	Impeller (State Diameter) 13.5" Full Diameter	P2000892	P2000888	P2000884	P2000880	P2001742	P2001157
4	Volute Coverplate	P51562	P51562	P51562	P51562	P51562	P51562
5	Volute Capscrew (175 MWP) (16)	P13780	P13780	P13780	P13780	P13780	P13780
5	Volute Capscrew (250 MWP) (16)	P13780	P13780	P13780	P13780	P13780	NA
44	Bracket	P85025	P85025	P85025	P85025	P85025	P85025
11	Stainless Steel Shaft Sleeve Kit	185022	185022	185022	185022	185022	185022
18	Complete Bearing Frame Assembly	185323	185323	185323	185323	185323	185323
33	Bearing Frame	P85016	P85016	P85016	P85016	P85016	P85016
35	Shaft	P85018	P85018	P85018	P85018	P85018	P85018
8	Impeller Capscrew	P13800	P13800	P13800	P13800	P13800	P13800
9	Impeller Lockwasher	J23875	J23875	J23875	J23875	J23875	J23875
10	Impeller Washer	P51230	P51230	P51230	P51230	P51230	P51230
20	Impeller Key	P49372	P49372	P49372	P49372	P49372	P49372
17	Coupling Key	P49373	P49373	P49373	P49373	P49373	P49373
19	Water Slinger	P77320	P77320	P77320	P77320	P77320	P77320
34	Spring Washer	J92560	J92560	J92560	J92560	J92560	J92560
36	Bearing Cap	P85065	P85065	P85065	P85065	P85065	P85065
37	Bearing Cap Capscrew (4)	DJ0034	DJ0034	DJ0034	DJ0034	DJ0034	DJ0034
41	Ball Bearing – Pump End	186571NG	186571NG	186571NG	186571NG	186571NG	186571NG
42	Ball Bearing – Coupling End	186572NG	186572NG	186572NG	186572NG	186572NG	186572NG
Mechanical Seal for Stuffing Box Configuration (-S) (Large Bore)							
26	Seal Assembly EPR / Carbon vs Tungsten Carbide	185050	185050	185050	185050	185050	185050
24	Seal Cap	P85086	P85086	P85086	P85086	P85086	P85086
21	Seal Cap Capscrew (4)	H28100	H28100	H28100	H28100	H28100	H28100
22	Seal Cap Nut (4)	P52380	P52380	P52380	P52380	P52380	P52380
23	Seal Cap Washer (4)	P10910	P10910	P10910	P10910	P10910	P10910
25	Seal Cap Gasket	P85078	P85078	P85078	P85078	P85078	P85078
Packing for Stuffing Box Configuration (-PF) (Large Bore)							
31	Packing Ring Set (4 Pieces Per Set)	P82072	P82072	P82072	P82072	P82072	P82072
32	Lantern Ring (2 Halves Per Set)	P84986	P84986	P84986	P84986	P84986	P84986
30	Packing Gland Halves (2)	P85051	P85051	P85051	P85051	P85051	P85051
21	Packing Gland Capscrew (2)	J92052	J92052	J92052	J92052	J92052	J92052
22	Packing Gland Nut (2)	J91659	J91659	J91659	J91659	J91659	J91659
23	Packing Gland Washer (2)	J91649	J91649	J91649	J91649	J91649	J91649
Parts for Pumps with 2.375" Shaft Sleeve Diameter at Mechanical Seal (Extra Large Bore)							
2	Impeller (State Diameter) 13.5" Full Diameter					P2001744	P2001158
4	Volute Coverplate					P51566	P51566
5	Volute Capscrew (175 MWP) (16)					P13780	P13780
5	Volute Capscrew (250 MWP) (16)					P13780	NA
44	Bracket					P51576	P51576
11	Stainless Steel Shaft Sleeve					P78743	P78743
18	Complete Bearing Frame Assembly					P51705	P51705
33	Bearing Frame					P2001129	P2001129
35	Shaft					P79012	P79012
8	Impeller Capscrew					J92019	J92019
9	Impeller Lockwasher					J23876	J23876
10	Impeller Washer					P46384	P46384
20	Impeller Key					J93448	J93448
17	Coupling Key					J93448	J93448
19	Water Slinger					P81917	P81917
36	Bearing Cap – Pump End					P51582	P51582
	Bearing Cap – Coupling End					P51584	P51584
37	Bearing Cap Capscrew (8)					DJ0071	DJ0071
	Bearing Retainer Ring					J92385	J92385
	Bearing Locknut					J92388	J92388
	Bearing Lockwasher					J92389	J92389
41	Ball Bearing – Pump End					P2002427	P2002427
42	Ball Bearing – Coupling End					P2002428	P2002428
Mechanical Seal for Stuffing Box Configuration (-S) (Extra Large Bore)							
26	Seal Assembly EPR / Carbon vs Tungsten Carbide					P63308	P63308
24	Seal Cap					P51592	P51592
21	Seal Cap Capscrew (4)					DJ0071	DJ0071
22	Seal Cap Nut (4)					NONE	NONE
23	Seal Cap Washer (4)					NONE	NONE
25	Seal Cap Gasket					P80768	P80768
Packing for Stuffing Box Configuration (-PF) (Extra Large Bore)							
31	Packing Ring Set (4 Pieces Per Set)					P82015	P82015
32	Lantern Ring (2 Halves Per Set)					P84988	P84988
30	Packing Gland Halves (2)					P51596	P51596
21	Packing Gland Capscrew (2)					J92051	J92051
22	Packing Gland Nut (2)					NONE	NONE
23	Packing Gland Washer (2)					J91649	J91649

TB Wood's Sure-Flex Coupling Selection Table

SHAFT SIZE	FRAME SIZE	SHAFT GAP (INCH)	H.P.	MOTOR SHAFT DIAMETER (INCH)	COMPLETE COUPLING (Includes Pump Flange, Motor Flange, Neoprene Sleeve)		NEOPRENE SLEEVE FOR WOOD'S COUPLING
					Pump Flange	Motor Flange	
FOR PUMPS WITH SMALL BEARING FRAMES 1" SHAFT DIAMETER AT COUPLING	56	1.25	0.5 - 0.75	0.625	186868		P78804 (4J)
	143T-145T	1.75	1 - 1.5 - 2 - 3	0.875	186869		P78804 (4J)
	182T-184T	1.75	2 - 3 - 5 - 7.5	1.125	186870		P78729 (5J)
	213T	2.5	5 - 7.5 - 10	1.375	186871		P78791 (6J)
	215T	2.5	7.5 - 10 - 15	1.375	186871		P78791 (6J)
	254T	2.5	15 - 20	1.625	186873		P78792 (7S)
	256T	2.5	20 - 25	1.625	P63240		P78794 (8S)
FOR PUMPS WITH LARGE BEARING FRAME 1.25" SHAFT DIAMETER AT COUPLING	213T	3.75	7.5	1.375	186872		P78791 (6J)
	215T	3.75	10	1.375	186872		P78791 (6J)
	254T	3.75	15	1.625	P63239		P78792 (7S)
	256T	3.75	20	1.625	186874		P78794 (8S)
	284T	3.75	25	1.875	P63242		P78794 (8S)
	284T	4	25	1.875	P63243		P78794 (8S)
	286T	3.75	30	1.875	P63244		P78796 (9S)
	286T	4	30	1.875	P63244		P78796 (9S)
	284TS	3.75	30	1.625	P63239		P78792 (7S)
	286TS	3.75	40	1.625	186874		P78794 (8S)
	324T	4	40	2.125	P63245		P78796 (9S)
	326T	4	50	2.125	P63247		P78798 (10S)
	324TS	3.75	50	1.875	P63242		P78794 (8S)
	326TS	3.75	60	1.875	P63244		P78796 (9S)
	364T	4	60	2.375	P63248		P78798 (10S)
	364TS	4	60 - 75	1.875	P63244		P78796 (9S)
365T	4	75	2.375	P63250		P78802 (11S)	
365TS	4	75 - 100	1.875	P63246		P78798 (10S)	
404TS	4	100 - 125	2.125	P63253		P78802 (11S)	
SHAFT SIZE	FRAME SIZE	SHAFT GAP (INCH)	H.P.	MOTOR SHAFT DIAMETER (INCH)	Pump Flange	Motor Flange	NEOPRENE SLEEVE FOR WOOD'S COUPLING
FOR PUMPS WITH EXTRA LARGE BEARING FRAME 1.875" SHAFT DIAMETER AT COUPLING	324T	5.375	30	2.125	P82641	P82165	P78798 (10E)
	326T	5.375	40	2.125	P82641	P82165	P78798 (10E)
	364TS	5.375	60	1.875	P82641	P82641	P78798 (10E)
	365TS	5.375	75	1.875	P82643	P82643	P78802 (11E)
	404TS	5.375	100	2.125	P82643	P82169	P78802 (11E)

Factory recommended spare parts.

Rexnord Omega Coupling Selection Table

PUMP SIZE	FRAME SIZE	H.P.	ELEMENT	PUMP HUB	MOTOR HUB
FOR PUMPS WITH SMALL BEARING FRAME 1" SHAFT DIAMETER AT COUPLING	56	0.33, 0.5, 0.75	P2000258	P2000296	P2000294
	143T-145T	0.75, 1, 1.5, 2, 3	P2000258	P2000296	P2000295
	182T-184T	1.5, 3, 5, 7.5	P2000258	P2000296	P2000293
	213T-215T	3, 5, 7.5, 10, 15	P2000263	P2000299	P2000302
	254T-256T	7.5, 15, 20, 25, 30	P2000266	P2000305	P2000309
FOR PUMPS WITH LARGE BEARING FRAME 1.25" SHAFT DIAMETER AT COUPLING	213T-215T	3, 5, 7.5, 10, 15	P2000262	P2000301	P2000302
	254T-256T	7.5, 10, 15*, 20**, 25, 30	P2000266	P2000307	P2000309
	256T	15***, 20****	P2000268	P2000314	P2000316
	284T	15, 20, 25	P2000269	P2000314	P2000317
	284TS	25, 30	P2000265	P2000307	P2000309
	284TS	40	P2000269	P2000314	P2000316
	286T	20, 25, 30	P2000271	P2000322	P2000325
	286TS	30, 40, 50	P2000269	P2000314	P2000316
	324T	25, 30, 40	P2000271	P2000322	P2000326
	324TS	40, 50	P2000269	P2000314	P2000317
	326T	30, 40, 50	P2000275	P2000330	P2000334
	326TS	50, 60+	P2000271	P2000322	P2000325
	326TS	60++	P2000272	P2000322	P2000325
	364T	40, 50, 60	P2000275	P2000330	P2000335
	364TS	60+++	P2000275	P2000330	P2000333
	364TS	60++++, 75	P2000271	P2000322	P2000325
	365T	60, 75	P2000278	P2000339	P2000344
	365TS	75#	P2000278	P2000339	P2000342
	365TS	75##, 100	P2000275	P2000330	P2000333
	404TS	75, 100	P2000278	P2000339	P2000343
404TS	125	P2000275	P2000330	P2000334	
FOR PUMPS WITH EXTRA LARGE BEARING FRAME 1.875" SHAFT AT COUPLING	324T	25, 40	P2000271	P2000325	P2000326
	326T	30, 50	P2000274	P2000333	P2000334
	364T	40, 60	P2000274	P2000333	P2000335
	364TS	60	P2000274	P2000333	P2000333
	365T	75	P2000277	P2000342	P2000344
	365TS	75	P2000277	P2000342	P2000342
	404TS	100	P2000277	P2000342	P2000343
	405TS	125	P2000280	P2000353	P2000354

* Not at 1450 RPM

** Not at 1750 RPM

*** Only at 1450 RPM

**** Only at 1750 RPM

+ Not for 2-9C

++ Only for 2-9C

+++ Only at 1750 RPM

++++ Not at 1750 RPM

Only at 1750 RPM

Not at 1750 RPM

ANSI/OSHA Guard & Support Bracket Kit Selection

Chart for Standard TB Wood's Sure-Flex Neoprene Coupling

Coupling Guard Kit Part Numbers:

1 = 186884 2 = 186885 3 = 186887 4 = 186888 5 = 186889 6 = 185327

PUMP SIZE	BEARING FRAME	MOTOR FRAME / GUARD KIT NUMBER																				SUPPORT BRACKET KIT					
		56	143T	145T	182T	184T	213T	215T	254T	256T	284T	284TS	286T	286TS	324T	324TS	326T	326TS	364T	364TS	365T		365TS	404TS	405TS		
1.25-7D	Small	1	1	1	1	1	1	1	2																186905		
																									186906		
1.5-7D	Small	1	1	1	1	1	1	1	2																186905		
																									186906		
2-7D	Small	1	1	1	1	1	1	1	2	2															186905		
																									186906		
2.5-7C	Small	1	1	1	1	1	1	1	2	2															186905		
																									186906		
3-7D	Small	1	1	1	1	1			2	2															186905		
	Large						2	2																	186904		
																									186905		
4-7D	Small		1	1	1	1	1						2	2											186906		
	Large							2	2	2						2	2								186905		
												2	2												186906		
5-7	Small				1	1	1	1																	186908		
	Large								2	2		2	2		2		2		2						186907		
																									186906		
1.25-9C	Small		1	1	1	1																			186905		
	Large						2	2	2	2															186906		
																									186906		
1.5-9C	Small		1	1	1	1	1																		186906		
	Large							2	2	2						2		2							186905		
																									186906		
2-9D	Small		1	1	1	1	1																		186906		
	Large							2	2	2															186905		
																									186906		
2.5-9B	Small				1	1	1	1																	186906		
	Large								2	2						2		2			2				186905		
																						2			186906		
3-9D	Small				1	1	1	1	2																186906		
	Large												2	2			2		2			2			186905		
																									186906		
4-9D	Small						1	1	2																186908		
	Large									2		2		2		2		2							186907		
																							2	3	6	186910	
5-9D	Small						1	1	2																186911		
	Large									2	2		2												186908		
										2	2	2		2											186908		
6-9D	Small				1	1	1	1	2																186908		
	Large													2			2								186907		
																									186910		
2-11B	Small																								186908		
	Large													2		2		2							186907		
																						2		3	186910		
3-11B	Small					1	1	1	2																186908		
	Large									2							2		2						186907		
																						2		3	6	186910	
4-11B	Small						1	1	2																186908		
	Large									2	2				2		2		2						186907		
																						2		3	6	6	186910
5-11B	Large							2	2	2	2		2		2		2								186908		
6-11	Large								2	2	2		2		2		2								186910		
2-13B	Large						2	2	2	2	2														186907		
3-13B	Large						2	2	2	2	2		2		2										186907		
4-13C	Large						2	2	2	2	2		2		2		2								186908		
5-13B	Large							2	2	2	2		2		2		2		4		3				186910		
6-13	Large								2	2		2		2		2		2		4		3			186910		
	Extra Large														4		4			4		6	6	5	186913		
8-13B	Large									2	2		2		2		2		4		3				186910		
	Extra Large														4		4			4		6	6	5	186913		

HOW TO USE THIS CHART TO SELECT A COUPLING GUARD AND BRACKET KIT:

Example (shaded gray above): Pump Model = 4-7D w/ a 20 HP, 208-230/460 Volt, 3 PH, 3600 RPM, 254T Fr. motor. The Coupling Guard Kit number is 186885 and the support bracket kit number is 186905.

Galvanized Steel Drip Pans

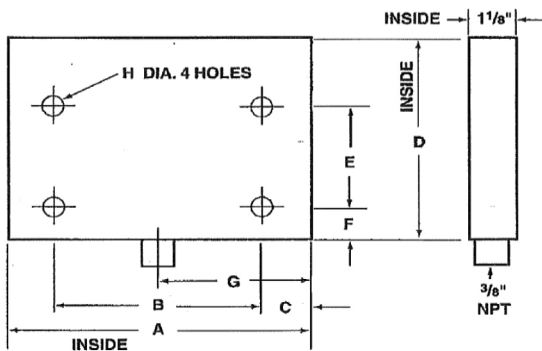


FIGURE 1

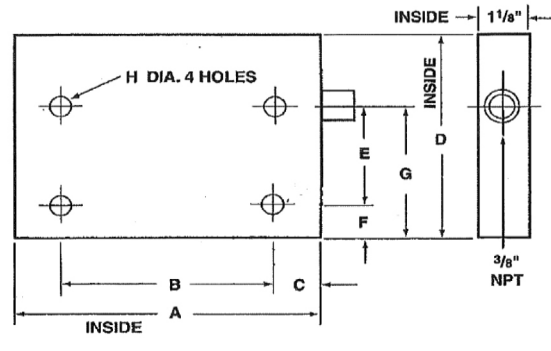


FIGURE 2

PUMP SIZE	PART NUMBER
1.25-7D, 1.5-7D, 2-7D, 2.5-7C, 3-7D	P85265
4-7D, 5-7, 1.25-9C, 1.5-9C, 2-9D, 2.5-9B, 3-9D, 4-9D	P85266
5-9D, 6-9D, 2-11B, 3-11B, 4-11B, 5-11B, 2-13B, 3-13B, 4-13C	P85267
6-11, 5-13B, 6-13	P85268
8-13B	P82946

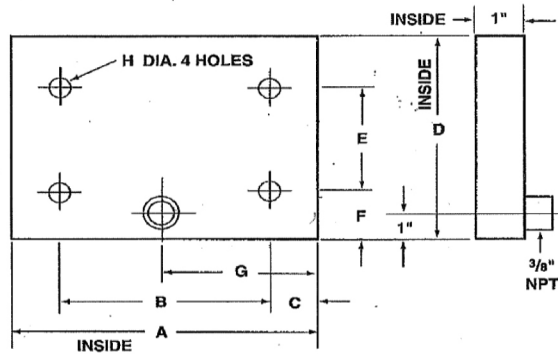


FIGURE 3

DIMENSIONS - INCHES

Part No.	Fig.	A	B	C	D	E	F	G	H
P85265	1	11	6-1/2	2-1/4	11-1/2	3	1-1/2	5-1/2	9/16
P85266	1	13-5/8	9-1/8	2-1/4	12-7/8	4-3/8	1-7/16	6-13/16	9/16
P85267	1	18-1/2	14	2-1/4	12-1/4	5	1-11/16	9-1/4	5/8
P85268	2	25-1/2	21	2-1/4	17	9	1-11/16	10-11/16	7/8
P82946	3	27	17-5/8	4-11/16	18-1/8	6-1/8	6	13-1/2	3/4

ACCESSORIES

Cuno Filter Kit

1.25-7D, 1.5-7D, 2-7D, 2.5-7C, 3-7D, 4-7D, 5-7	P2001049
1.25-9C, 1.5-9C, 2-9D, 2.5-9B, 3-9D, 4-9D, 5-9D, 6-9D	P2001050
2-11B, 3-11B, 4-11B, 5-11B, 6-11	P2001051
2-13B, 3-13B, 4-13C, 5-13B, 6-13, 8-13B	P2001052

Replacement Filter Cartridge

All e-530SL Sizes	P65085
-------------------	--------

Sediment Separator Kit

1.25-7D, 1.5-7D, 1.25-9C, 1.5-9C	P2001043
2-7D, 2.5-7C, 3-7D, 4-7D, 5-7, 2-9D, 2.5-9B, 3-9D, 4-9D, 5-9D, 6-9D, 2-11B, 3-11B, 4-11B, 5-11B, 6-11, 2-13B, 3G-13B, 4G-13C, 5-13B, 6-13, 8-13B	P2001044

Heat Exchanger Kit

All e-530SL Sizes	186883
-------------------	--------

Xylem |'zīləm|

- 1) The tissue in plants that brings water upward from the roots;
- 2) a leading global water technology company.

We're a global team unified in a common purpose: creating innovative solutions to meet our world's water needs. Developing new technologies that will improve the way water is used, conserved, and re-used in the future is central to our work. We move, treat, analyze, and return water to the environment, and we help people use water efficiently, in their homes, buildings, factories and farms. In more than 150 countries, we have strong, long-standing relationships with customers who know us for our powerful combination of leading product brands and applications expertise, backed by a legacy of innovation.

For more information on how Xylem can help you, go to www.xyleminc.com



Xylem Inc.
8200 N. Austin Avenue
Morton Grove, Illinois 60053
Phone: (847) 966-3700
Fax: (847) 965-8379
www.marlowpumps.com

Goulds is a registered trademark of Goulds Pumps, Inc. and is used under license.
© 2016 Xylem Inc. RE530SLSB May 2016