

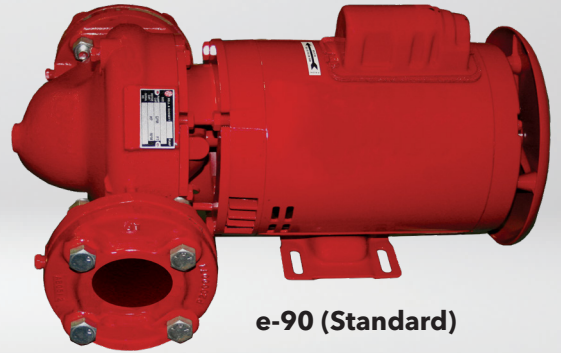
**e-90E Smart Pump**



**e-90 with optional ECM Motor**



**e-90 (Standard)**



# Series e-90

Closed Coupled In-Line Centrifugal Pumps  
Replacement Parts



**Bell & Gossett**  
a xylem brand

# Index

How to Use This Parts List . . . . . 3

Exploded Views of Series e-90 . . . . . 4

Exploded Views of e-90E Smart Pump . . . . . 5

Standard Size Pump Designations . . . . . 6

1AAB Pump Parts . . . . . 8

1.25 AAB Pump Parts . . . . . 9

1.5 AAB Pump Parts . . . . . 10

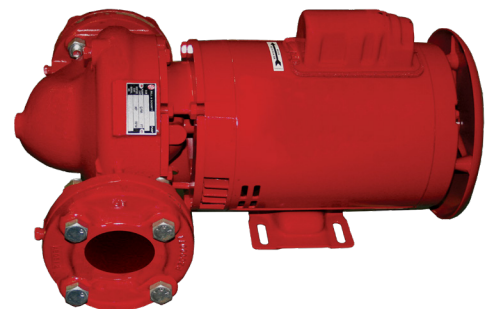
2AAB Pump Parts . . . . . 11

3AAB Pump Parts . . . . . 12

2AAC Pump Parts . . . . . 13

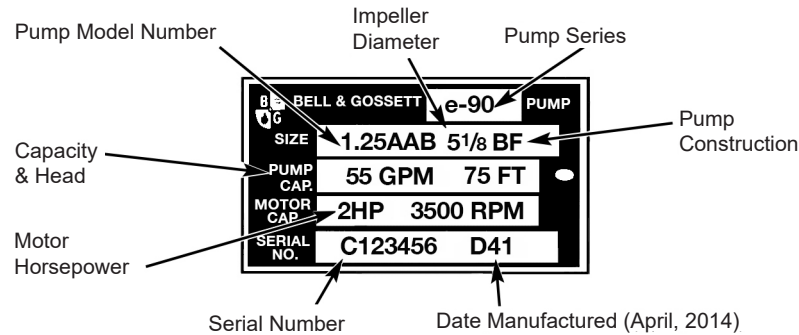
1.5AB Pump Parts . . . . . 14

2AB Pump Parts . . . . . 15



# How to Use This Parts List

The pump nameplate identifies the pump by pipe size, pump construction and impeller diameter as shown below.

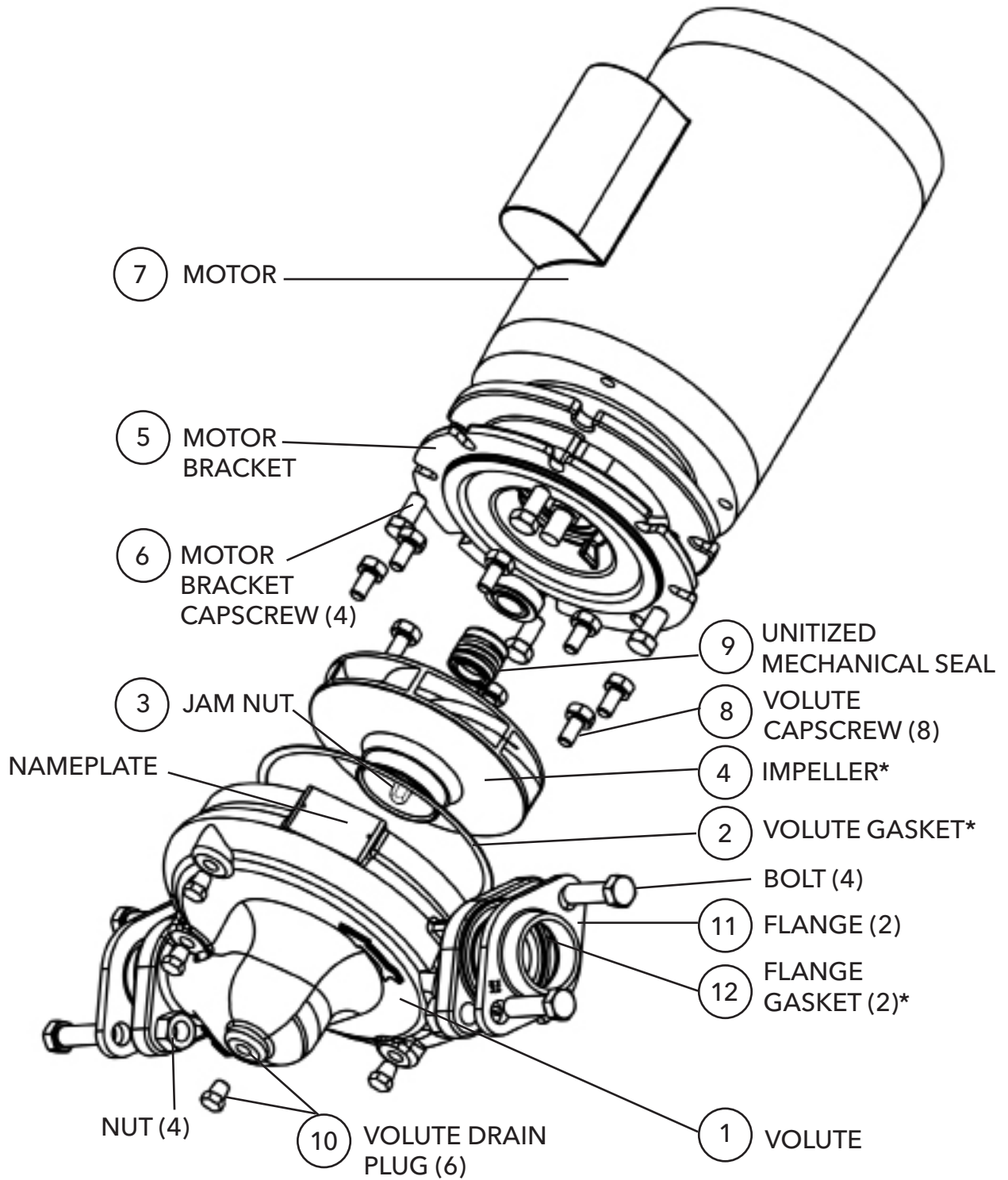


The nameplate above identifies the pump as a Series e-90, 1.25AAB in bronze fitted (BF) construction. The impeller diameter is 5.125" and is capable of pumping 55 GPM at 75FT. The motor horsepower is 2, the RPM is 3500. The serial number specifically identifies the unit for future reference. **DO NOT REMOVE THE NAMEPLATE.** It is important when ordering replacement parts to furnish complete nameplate data.

The following procedure will result in proper parts selection:

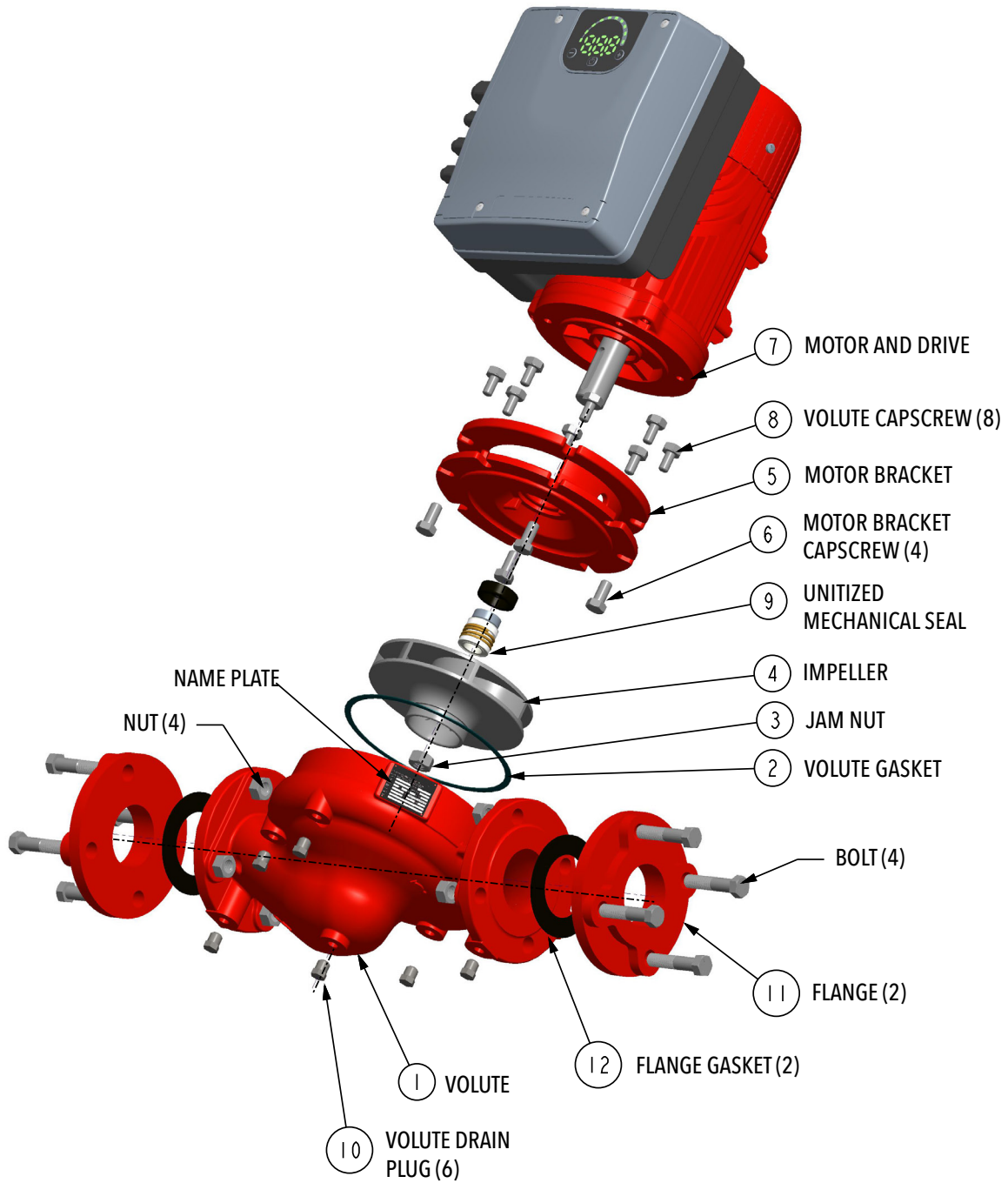
1. Determine from the nameplate the pump size, pump construction and impeller diameter.
2. Refer to the index for the page number of the parts breakdown for the specific size pump.
3. Find the proper column in the parts breakdown for the pump construction involved.
4. Select part numbers, using the drawing on page 4 for identification.
5. Always give complete motor nameplate data when ordering replacement motors.

## Series e-90 Pump Exploded View



\* Factory recommended spare parts

### e-90E Smart Pump Exploded View



**STANDARD SIZE DESIGNATIONS**

<b>PUMP SIZE</b>	<b>MODEL NUMBER</b>	<b>MOTOR</b>	<b>HP</b>	<b>VOLTAGE</b>	<b>PH</b>	<b>RPM</b>	<b>FRAME</b>	<b>IMPELLER*</b>	<b>IMPELLER DIAMETER</b>	<b>JAM NUT KIT</b>	<b>SEAL KIT</b>
1AAB	e9001S	SM2093	0.25	115/208-230	1	1725	56J	P2004347	4.5"	P2004389	186094LF
	e9002S	SM2094	0.33	115/208-230	1	1725	56J	P2004344	5"	P2004389	186094LF
	e9003S	SM2081	0.50	115/208-230	1	1725	56J	P2003625	5.25"	P2004389	186094LF
	e9003T	SM2108	0.50	208-230/460	3	1725	56J	P2004348	4.25"	P2004389	186094LF
	e9020S	SM2085	1	208-230/115	1	3450	56J	P2004349	3.75"	P2004389	186094LF
	e9020T	SM2103	1	208-230/460	3	3450	56J	P2004349	3.75"	P2004389	186094LF
	e9021S	SM2087	1.5	208-230/115	1	3450	56J	P2004348	4.25"	P2004389	186094LF
	e9021T	SM2104	1.5	208-230/460	3	3450	56J	P2004348	4.25"	P2004389	186094LF
	e9022S	SM2088	2	208-230/115	1	3450	56J	P2004346	4.75"	P2004389	186094LF
	e9022T	SM2105	2	208-230/460	3	3450	56J	P2004346	4.75"	P2004389	186094LF
	e9023S	SM2089	3	208-230	1	3450	56J	P2003625	5.25"	P2004389	186094LF
	e9023T	SM2106	3	208-230/460	3	3450	56J	P2003625	5.25"	P2004389	186094LF
1.25AAB	e9004S	SM2093	0.25	115/208-230	1	1725	56J	P2004348	4.25"	P2004389	186094LF
	e9005S	SM2094	0.33	115/208-230	1	1725	56J	P2004347	4.5"	P2004389	186094LF
	e9006S	SM2081	0.50	115/208-230	1	1725	56J	P2003625	5.25"	P2004389	186094LF
	e9006T	SM2108	0.50	208-230/460	3	1725	56J	P2003625	5.25"	P2004389	186094LF
	e9025S	SM2087	1.5	208-230/115	1	3450	56J	P2004349	3.75"	P2004389	186094LF
	e9025T	SM2104	1.5	208-230/460	3	3450	56J	P2004349	3.75"	P2004389	186094LF
	e9026S	SM2088	2	208-230/115	1	3450	56J	P2004348	4.25"	P2004389	186094LF
	e9026T	SM2105	2	208-230/460	3	3450	56J	P2004348	4.25"	P2004389	186094LF
	e9027S	SM2089	3	208-230	1	3450	56J	P2004346	4.75"	P2004389	186094LF
	e9027T	SM2106	3	208-230/460	3	3450	56J	P2004346	4.75"	P2004389	186094LF
	e9028T	SM2107	5	208-230/460	3	3450	56J	P2003625	5.25"	P2004389	186094LF
	1.5AAB	e9007S	SM2093	0.25	115/208-230	1	1725	56J	P2004355	4"	P2004389
e9008S		SM2094	0.33	115/208-230	1	1725	56J	P2004354	4.375"	P2004389	186094LF
e9009S		SM2081	0.50	115/208-230	1	1725	56J	P2004352	5"	P2004389	186094LF
e9009T		SM2108	0.50	208-230/460	3	1725	56J	P2004352	5"	P2004389	186094LF
e9010S		SM2083	0.75	208-230/115	1	1725	56J	P2003626	5.25"	P2004389	186094LF
e9010T		SM2109	0.75	208-230/460	3	1725	56J	P2003626	5.25"	P2004389	186094LF
e9029S		SM2087	1.5	208-230/115	1	3450	56J	P2004356	3.25"	P2004389	186094LF
e9029T		SM2104	1.5	208-230/460	3	3450	56J	P2004356	3.25"	P2004389	186094LF
e9030S		SM2088	2	208-230/115	1	3450	56J	P2004355	4"	P2004389	186094LF
e9030T		SM2105	2	208-230/460	3	3450	56J	P2004355	4"	P2004389	186094LF
e9031S		SM2089	3	208-230	1	3450	56J	P2004353	4.5"	P2004389	186094LF
e9031T		SM2106	3	208-230/460	3	3450	56J	P2004353	4.5"	P2004389	186094LF
e9032T	SM2107	5	208-230/460	3	3450	56J	P2003626	5.25"	P2004389	186094LF	
2AAB	e9011S	SM2094	0.33	115/208-230	1	1725	56J	P2004363	3.5"	P2004389	186094LF
	e9012S	SM2081	0.50	115/208-230	1	1725	56J	P2004360	4.25"	P2004389	186094LF
	e9012T	SM2108	0.50	208-230/460	3	1725	56J	P2004360	4.25"	P2004389	186094LF
	e9013S	SM2083	0.75	208-230/115	1	1725	56J	P2004358	4.75"	P2004389	186094LF
	e9013T	SM2109	0.75	208-230/460	3	1725	56J	P2004358	4.75"	P2004389	186094LF
	e9014S	SM2097	1	208-230/115	1	1725	56J	P2003627	5.25"	P2004389	186094LF
	e9014T	SM2110	1	208-230/460	3	1725	56J	P2003627	5.25"	P2004389	186094LF
	e9033S	SM2088	2	208-230/115	1	3450	56J	P2004364	3.38"	P2004389	186094LF
	e9033T	SM2105	2	208-230/460	3	3450	56J	P2004364	3.38"	P2004389	186094LF
	e9034S	SM2089	3	208-230	1	3450	56J	P2004362	3.75"	P2004389	186094LF
	e9034T	SM2106	3	208-230/460	3	3450	56J	P2004363	3.5"	P2004389	186094LF
	e9035T	SM2107	5	208-230/460	3	3450	56J	P2004359	4.5"	P2004389	186094LF
3AAB	e9015S	SM2094	0.33	115/208-230	1	1725	56J	P2004363	3.5"	P2004389	186094LF
	e9016S	SM2081	0.50	115/208-230	1	1725	56J	P2004361	4"	P2004389	186094LF
	e9016T	SM2108	0.50	208-230/460	3	1725	56J	P2004361	4"	P2004389	186094LF
	e9017S	SM2083	0.75	208-230/115	1	1725	56J	P2003629	4.69"	P2004389	186094LF
	e9017T	SM2109	0.75	208-230/460	3	1725	56J	P2003629	4.69"	P2004389	186094LF
	e9018S	SM2097	1	208-230/115	1	1725	56J	P2003627	5.25"	P2004389	186094LF
	e9018T	SM2110	1	208-230/460	3	1725	56J	P2003627	5.25"	P2004389	186094LF
	e9036S	SM2089	3	208-230	1	3450	56J	P2004362	3.75"	P2004389	186094LF
	e9036T	SM2106	3	208-230/460	3	3450	56J	P2004362	3.75"	P2004389	186094LF
	e9037T	SM2107	5	208-230/460	3	3450	56J	P2004360	4.25"	P2004389	186094LF



**STANDARD SIZE DESIGNATIONS**

PUMP SIZE	MODEL NUMBER	MOTOR	HP	VOLTAGE	PH	RPM	FRAME	IMPELLER*	IMPELLER DIAMETER	JAM NUT KIT	SEAL KIT
1.5AB	e9047S	SM2081	0.5	115/208-230	1	1725	56J	P2004375	5.125"	P2004395	186094LF
	e9047T	SM2108	0.5	208-230/460	3	1725	56J	P2004375	5.125"	P2004395	186094LF
	e9048S	SM2083	0.75	208-230/115	1	1725	56J	P2004374	5.75"	P2004395	186094LF
	e9048T	SM2109	0.75	208-230/460	3	1725	56J	P2004374	5.75"	P2004395	186094LF
	e9049S	SM2097	1	208-230/115	1	1725	56J	P2004373	6.125"	P2004395	186094LF
	e9049T	SM2110	1	208-230/460	3	1725	56J	P2004373	6.125"	P2004395	186094LF
	e9060S	SM2090	1.5	208-230/115	1	1725	56J	P2003631	7"	P2004395	186094LF
	e9060T	SM2111	1.5	208-230/460	3	1725	56J	P2003631	7"	P2004395	186094LF
2AB	e9061S	SM2083	0.75	208-230/115	1	1725	56J	P2004378	5.25"	P2004395	186094LF
	e9061T	SM2109	0.75	208-230/460	3	1725	56J	P2004378	5.25"	P2004395	186094LF
	e9062S	SM2097	1	208-230/115	1	1725	56J	P2004377	5.75"	P2004395	186094LF
	e9062T	SM2110	1	208-230/460	3	1725	56J	P2004377	5.75"	P2004395	186094LF
	e9063S	SM2090	1.5	208-230/115	1	1725	56J	P2004376	6.375"	P2004395	186094LF
	e9063T	SM2111	1.5	208-230/460	3	1725	56J	P2004376	6.375"	P2004395	186094LF
	e9064S	SM2091	2	208-230/115	1	1725	56J	P2003632	7"	P2004395	186094LF
	e9064T	SM2112	2	208-230/460	3	1725	56J	P2003632	7"	P2004395	186094LF
2AAC	e9038S	SM2093	0.25	208-230/115	1	1725	56J	P2004370	3.875"	P2004389	186094LF
	e9039S	SM2094	0.333	208-230/460	3	1725	56J	P2005851	4"	P2004389	186094LF
	e9040S	SM2081	0.5	115/208-230	1	1725	56J	P2004367	4.75"	P2004389	186094LF
	e9040T	SM2108	0.5	208-230/460	3	1725	56J	P2004367	4.75"	P2004389	186094LF
	e9041S	SM2083	0.75	208-230/115	1	1725	56J	P2003628	5.25"	P2004389	186094LF
	e9041T	SM2109	0.75	208-230/460	3	1725	56J	P2003628	5.25"	P2004389	186094LF
	e9042S	SM2085	1	208-230/115	1	1725	56J	P2004372	3.25"	P2004389	186094LF
	e9042T	SM2103	1	208-230/460	3	1725	56J	P2004372	3.25"	P2004389	186094LF
	e9043S	SM2087	1.5	208-230/115	1	1725	56J	P2004371	3.75"	P2004389	186094LF
	e9043T	SM2104	1.5	208-230/460	3	1725	56J	P2004371	3.75"	P2004389	186094LF
	e9044S	SM2088	2	208-230/115	1	1725	56J	P2004370	3.875"	P2004389	186094LF
	e9044T	SM2105	2	208-230/460	3	1725	56J	P2004370	3.875"	P2004389	186094LF
	e9045S	SM2089	3	208-230/115	1	1725	56J	P2004368	4.375"	P2004389	186094LF
	e9045T	SM2106	3	208-230/460	3	1725	56J	P2004368	4.375"	P2004389	186094LF
e9046T	SM2107	5	208-230/460	3	1725	56J	P2004366	5.125"	P2004389	186094LF	

PUMP SIZE	MODEL NUMBER	MOTOR	HP	VOLTAGE	PH	RPM	FRAME	IMPELLER	IMPELLER DIAMETER	JAM NUT KIT	SEAL KIT
1AAB	e9022M	107239630NR	2	460	1	3600	56J	P2004347	4.5"	P2004391	186094LF
	e9022M	107239940NR	2	208-230/460	3	3600	56J	P2004347	4.5"	P2004390	186094LF
	e9023M	107239920NR	3	208-230	3	3600	56J	P2003625	5.25"	P2004389	186094LF
1.25AAB	e9026M	107239630NR	2	460	1	3600	56J	P2005929	4.125"	P2004394	186094LF
	e9026M	107239940NR	2	208-230/460	3	3600	56J	P2005929	4.125"	P2004393	186094LF
	e9027M	107239920NR	3	208-230	3	3600	56J	P2004346	4.75"	P2004392	186094LF
1.5AAB	e9030M	107239630NR	2	460	1	3600	56J	P2005937	3.75"	P2004397	186094LF
	e9030M	107239940NR	2	208-230/460	3	3600	56J	P2005937	3.75"	P2004396	186094LF
	e9031M	107239920NR	3	208-230	3	3600	56J	P2005935	4.25"	P2004395	186094LF
2AAB	e9033M	107239630NR	2	460	1	3600	56J	P2004365	3.25"	P2004400	186094LF
	e9033M	107239940NR	2	208-230/460	3	3600	56J	P2004365	3.25"	P2004399	186094LF
	e9034M	107239920NR	3	208-230	3	3600	56J	P2004362	3.75"	P2004398	186094LF
2AAC	e9044M	107239630NR	3	460	1	3600	56J	P2004371	3.75"	P2004403	186094LF
	e9044M	107239940NR	2	208-230/460	3	3600	56J	P2004371	3.75"	P2004402	186094LF
	e9045M	107239920NR	2	208-230	3	3600	56J	P2004369	4.25"	P2004401	186094LF
3AAB	e9035M	107239630NR	2	460	1	3600	56J	P2004365	3.25"	P2004406	186094LF
	e9035M	107239940NR	2	208-230/460	3	3600	56J	P2004365	3.25"	P2004405	186094LF
	e9036M	107239920NR	3	208-230	3	3600	56J	P2004362	3.75"	P2004404	186094LF

**1AAB**

ITEM NO. DESCRIPTION		PUMP CONSTRUCTION	
		BRONZE FITTED	ALL BRONZE

**PARTS COMMON TO BOTH PUMP TYPES**

1	Volute	P57081	P2000037
10	Volute Drain Plug (6)	P39020	P39470
8	Volute Capscrew (8)	P10359	P10359
2	Volute Gasket	P57410	P57410
11	Flange (2)	P01510	P2004622
12	Flange Gasket	P03200	P03200
6	Motor Bracket Capscrew (4)	DJ0063	DJ0063

4	Impeller (State Diameter)†	P2003625	P2003625
3	Jam Nut Kit	P2004389	P2004389
9	Seal - Std *	186094LF	186094LF
9	Seal - Opt **	186095LF	186085LF
9	Seal - Opt***	186096LF	186096LF
5	Motor Bracket	P2001335	P2001318
5	Motor Bracket -F Construction	P2001360	P2001359

\* EPR/Carbon/Silicon-Carbide

\*\* FKM/Carbon/Silicon Carbide

\*\*\* Graphite/Silicon-Carbide

†Jam Nut Kit must be purchased with all replacement impellers

**MOTOR SELECTION CHART**

HP	1 PHASE 1800RPM	3 PHASE 1800 RPM	1 PHASE 3600RPM	3 PHASE 3600RPM	1 PHASE SMART MOTOR	3 PHASE SMART MOTOR
1/4 HP	SM2093	-	-	-	-	-
1/3 HP	SM2094	-	-	-	-	-
1/2 HP	SM2081, SM2143-ECM (115V), SM2144-ECM (230V)	SM2108	-	-	-	-
3/4 HP	-	-	-	-	-	-
1 HP	SM2145-ECM (230V)	-	SM2085	SM2103	-	-
1-1/2 HP	-	-	SM2087	SM2104	-	-
2 HP	-	-	SM2088	SM2105	107239630NR	107239940NR
3 HP	-	-	SM2089	SM2106	-	107239920NR



**1.25AAB**

ITEM NO.	DESCRIPTION	PUMP CONSTRUCTION	
		BRONZE FITTED	ALL BRONZE

**PARTS COMMON TO BOTH PUMP TYPES**

1	Volute	P57081	P2000037
10	Volute Drain Plug (6)	P39020	P39470
8	Volute Capscrew (8)	P10359	P10359
2	Volute Gasket	P57410	P57410
11	Flange (2)	P2004624	P2004630
12	Flange Gasket	P03200	P03200
6	Motor Bracket Capscrew (4)	DJ0063	DJ0063

4	Impeller (State Diameter)†	P2003625	P2003625
3	Jam Nut Kit	P2004389	P2004389
9	Seal - Std *	186094LF	186094LF
9	Seal - Opt **	186095LF	186095LF
9	Seal - Opt***	186096LF	186096LF
5	Motor Bracket	P2001335	P2001318
5	Motor Bracket -F Construction	P2001360	P2001359

\* EPR/Carbon/Silicon-Carbide

\*\* FKM/Carbon/Silicon Carbide

\*\*\* Graphite/Silicon-Carbide

†Jam Nut Kit must be purchased with all replacement impellers

**MOTOR SELECTION CHART**

HP	1 PHASE 1800 RPM	3 PHASE 1800 RPM	1 PHASE 3600 RPM	3 PHASE 3600 RPM	1 PHASE SMART MOTOR	3 PHASE SMART MOTOR
1/4 HP	SM2093	-	-	-	-	-
1/3 HP	SM2094	-	-	-	-	-
1/2 HP	SM2081, SM2143-ECM (115V), SM2144-ECM (230V)	SM2108	-	-	-	-
3/4 HP	-	-	-	-	-	-
1 HP	-	-	-	-	-	-
1-1/2 HP	-	-	SM2087	SM2104	-	-
2 HP	-	-	SM2088	SM2105	107239630NR	107239940NR
3 HP	-	-	SM2089	SM2106	-	107239920NR
5 HP	-	-	-	SM2107	-	-

**1.5AAB**

ITEM NO. DESCRIPTION		PUMP CONSTRUCTION	
		BRONZE FITTED	ALL BRONZE

**PARTS COMMON TO BOTH PUMP TYPES**

1	Volute	P57151	P2000040
10	Volute Drain Plug (6)	P39020	P39470
8	Volute Capscrew (8)	P10359	P10359
2	Volute Gasket	P57410	P57410
11	Flange (2)	P03410	P2004634
12	Flange Gasket	P03350	P03350
6	Motor Bracket Capscrew (4)	DJ0063	DJ0063

4	Impeller (State Diameter)†	P2003626	P2003626
3	Jam Nut Kit	P2004389	P2004389
9	Seal - Std *	186094LF	186094LF
9	Seal - Opt **	186095LF	186095LF
9	Seal - Opt***	186096LF	186096LF
5	Motor Bracket	P2001335	P2001318
5	Motor Bracket -F Construction	P2001360	P2001359

\* EPR/Carbon/Silicon-Carbide

\*\* FKM/Carbon/Silicon Carbide

\*\*\* Graphite/Silicon-Carbide

†Jam Nut Kit must be purchased with all replacement impellers

**MOTOR SELECTION CHART**

HP	1 PHASE 1800 RPM	3 PHASE 1800 RPM	1 PHASE 3600 RPM	3 PHASE 3600 RPM	1 PHASE SMART MOTOR	3 PHASE SMART MOTOR
1/4 HP	SM2093	-	-	-	-	-
1/3 HP	SM2094	-	-	-	-	-
1/2 HP	SM2081	SM2108	-	-	-	-
3/4 HP	SM2083	SM2109	-	-	-	-
1 HP	SM2145-ECM (230V)	-	-	-	-	-
1-1/2 HP	-	-	SM2087	SM2104	-	-
2 HP	-	-	SM2088	SM2105	107239630NR	107239940NR
3 HP	-	-	SM2089	SM2106	-	107239920NR
5 HP	-	-	-	SM2107	-	-

**2AAB**

ITEM NO. DESCRIPTION		PUMP CONSTRUCTION	
		BRONZE FITTED	ALL BRONZE

**PARTS COMMON TO BOTH PUMP TYPES**

1	Volute	P57221	P2000043
10	Volute Drain Plug (6)	P39020	P39470
8	Volute Capscrew (8)	P10359	P10359
2	Volute Gasket	P57410	P57410
11	Flange (2)	F14200	P2004634
12	Flange Gasket	P03480	P03480
6	Motor Bracket Capscrew (4)	DJ0063	DJ0063

4	Impeller (State Diameter)†	P2003627	P2003627
3	Jam Nut Kit	P2004389	P2004389
9	Seal - Std *	186094LF	186094LF
9	Seal - Opt **	186095LF	186095LF
9	Seal - Opt***	186096LF	186096LF
5	Motor Bracket	P2001335	P2001318
5	Motor Bracket -F Construction	P2001360	P2001359

\* EPR/Carbon/Silicon-Carbide

\*\* FKM/Carbon/Silicon Carbide

\*\*\* Graphite/Silicon-Carbide

†Jam Nut Kit must be purchased with all replacement impellers

**MOTOR SELECTION CHART**

HP	1 PHASE 1800 RPM	3 PHASE 1800 RPM	1 PHASE 3600 RPM	3 PHASE 3600 RPM	1 PHASE SMART MOTOR	3 PHASE SMART MOTOR
1/4 HP	-	-	-	-	-	-
1/3 HP	SM2094	-	-	-	-	-
1/2 HP	SM2081	SM2108	-	-	-	-
3/4 HP	SM2083	SM2109	-	-	-	-
1 HP	SM2097, SM2145-ECM (230V)	SM2110	-	-	-	-
1-1/2 HP	-	-	-	-	-	-
2 HP	-	-	SM2088	SM2105	107239630NR	107239940NR
3 HP	-	-	SM2089	SM2106	-	107239920NR
5 HP	-	-	-	SM2107	-	-

**3AAB**

ITEM NO. DESCRIPTION		PUMP CONSTRUCTION	
		BRONZE FITTED	ALL BRONZE

**PARTS COMMON TO BOTH PUMP TYPES**

ITEM NO.	DESCRIPTION	BRONZE FITTED	ALL BRONZE
1	Volute	P08420	P2000014
10	Volute Drain Plug (6)	P39020	P39470
8	Volute Capscrew (8)	P10359	P10359
2	Volute Gasket	P57410	P57410
11	Flange (2)	F74000	P2004636
12	Flange Gasket Set	P65131	P65131
6	Motor Bracket Capscrew (4)	DJ0063	DJ0063
4	Impeller (State Diameter)†	P2003627	P2003627
3	Jam Nut Kit	P2004389	P2004389
9	Seal - Std *	186094LF	186094LF
9	Seal - Opt **	186095LF	186095LF
9	Seal - Opt***	186096LF	186096LF
5	Motor Bracket	P2001335	P2001318
5	Motor Bracket -F Construction	P2001360	P2001359

\* EPR/Carbon/Silicon-Carbide

\*\* FKM/Carbon/Silicon Carbide

\*\*\* Graphite/Silicon-Carbide

†Jam Nut Kit must be purchased with all replacement impellers

**MOTOR SELECTION CHART**

HP	1 PHASE 1800 RPM	3 PHASE 1800 RPM	1 PHASE 3600 RPM	3 PHASE 3600 RPM	1 PHASE SMART MOTOR	3 PHASE SMART MOTOR
1/4 HP	-	-	-	-	-	-
1/3 HP	SM2094	-	-	-	-	-
1/2 HP	SM2081	SM2108	-	-	-	-
3/4 HP	SM2083	SM2109	-	-	-	-
1 HP	SM2097, SM2145-ECM (230V)	SM2110	-	-	-	-
1-1/2 HP	SM2087	SM2111	-	-	-	-
2 HP	-	-	-	-	107239630NR	107239940NR
3 HP	-	-	SM2089	SM2106	-	107239920NR
5 HP	-	-	-	SM2107	-	-

**2AAC**

ITEM NO. DESCRIPTION		PUMP CONSTRUCTION	
		BRONZE FITTED	ALL BRONZE

**PARTS COMMON TO BOTH PUMP TYPES**

1	Volute	P57221	P2000043
10	Volute Drain Plug (6)	P39020	P39470
8	Volute Capscrew (8)	P10359	P10359
2	Volute Gasket	P57410	P57410
11	Flange (2)	F14200	P2004634
12	Flange Gasket	P03480	P03480
6	Motor Bracket Capscrew (4)	DJ0063	DJ0063

4	Impeller (State Diameter)†	P2003628	P2003628
3	Jam Nut Kit	P2004389	P2004389
9	Seal - Std *	186094LF	186094LF
9	Seal - Opt **	186095LF	186095LF
9	Seal - Opt***	186096LF	186096LF
5	Motor Bracket	P2001335	P2001318
5	Motor Bracket -F Construction	P2001360	P2001359

\* EPR/Carbon/Silicon-Carbide

\*\* FKM/Carbon/Silicon Carbide

\*\*\* Graphite/Silicon-Carbide

†Jam Nut Kit must be purchased with all replacement impellers

**MOTOR SELECTION CHART**

HP	1 PHASE 1800 RPM	3 PHASE 1800 RPM	1 PHASE 3600 RPM	3 PHASE 3600 RPM	1 PHASE SMART MOTOR	3 PHASE SMART MOTOR
1/4 HP	SM2093	-	-	-	-	-
1/3 HP	SM2094	-	-	-	-	-
1/2 HP	SM2081	SM2108	-	-	-	-
3/4 HP	SM2083	SM2109	-	-	-	-
1 HP	SM2097	SM2110	-	-	-	-
1-1/2 HP	SM2087	SM2111	-	-	-	-
2 HP	-	-	SM2088	SM2105	107239630NR	107239940NR
3 HP	-	-	SM2089	SM2106	-	107239920NR
5 HP	-	-	-	SM2107	-	-

**1.5AB**

ITEM NO.	DESCRIPTION	PUMP CONSTRUCTION	
		BRONZE FITTED	ALL BRONZE
<b>PARTS COMMON TO BOTH PUMP TYPES</b>			
1	Volute	P57181	P2000046
10	Volute Drain Plug (6)	P39020	P39470
8	Volute Capscrew (8)	P40020	P40020
2	Volute Gasket	P57700	P57700
11	Flange (2)	P03410	P2004632
12	Flange Gasket	P03350	P03350
6	Motor Bracket Capscrew (4)	P40020	P40020
4	Impeller (State Diameter)†	P2003631	P2003631
3	Jam Nut Kit	P2004395	P2004395
9	Seal - Std *	186094LF	186094LF
9	Seal - Opt **	186095LF	186095LF
9	Seal - Opt***	186096LF	186096LF
5	Motor Bracket	P2001337	P2001339

\* EPR/Carbon/Silicon-Carbide

\*\* FKM/Carbon/Silicon Carbide

\*\*\* Graphite/Silicon-Carbide

† Jam Nut Kit must be purchased with all replacement impellers

**MOTOR SELECTION CHART**

HP	1 PHASE 1800 RPM	3 PHASE 1800 RPM
1/4 HP	-	-
1/3 HP	-	-
1/2 HP	SM2081	SM2108
3/4 HP	SM2083	SM2109
1 HP	SM2097	SM2110
1-1/2 HP	SM2090	SM2111
2 HP	SM2091	SM2112
3 HP	-	-
5 HP	-	-



**2AB**

ITEM NO. DESCRIPTION		PUMP CONSTRUCTION	
		BRONZE FITTED	ALL BRONZE
<b>PARTS COMMON TO BOTH PUMP TYPES</b>			
1	Volute	P57278	P2000049
10	Volute Drain Plug (6)	P39020	P39470
8	Volute Capscrew (8)	P40020	P40020
2	Volute Gasket	P57700	P57700
11	Flange (2)	F14200	P2004634
12	Flange Gasket	P03480	P03480
6	Motor Bracket Capscrew (4)	P40020	P40020
4	Impeller (State Diameter)†	P2003632	P2003632
3	Jam Nut Kit	P2004395	P2004395
9	Seal - Std *	186094LF	186094LF
9	Seal - Opt **	186095LF	186095LF
9	Seal - Opt***	186096LF	186096LF
5	Motor Bracket	P2001337	P2001339

\* EPR/Carbon/Silicon-Carbide

\*\* FKM/Carbon/Silicon Carbide

\*\*\* Graphite/Silicon-Carbide

†Jam Nut Kit must be purchased with all replacement impellers

## MOTOR SELECTION CHART

HP	1 PHASE 1800 RPM	3 PHASE 1800 RPM
1/4 HP	-	-
1/3 HP	-	-
1/2 HP	SM2083	SM2109
3/4 HP	SM2097	SM2110
1 HP	SM2090	SM2111
1-1/2 HP	SM2091	SM2112
2 HP	SM2092	SM2113
3 HP	-	-
5 HP	-	-

# Xylem |'zīləm|

- 1) The tissue in plants that brings water upward from the roots;
- 2) a leading global water technology company.

We're a global team unified in a common purpose: creating advanced technology solutions to the world's water challenges. Developing new technologies that will improve the way water is used, conserved, and re-used in the future is central to our work. Our products and services move, treat, analyze, monitor and return water to the environment, in public utility, industrial, residential and commercial building services settings. Xylem also provides a leading portfolio of smart metering, network technologies and advanced analytics solutions for water, electric and gas utilities. In more than 150 countries, we have strong, long-standing relationships with customers who know us for our powerful combination of leading product brands and applications expertise with a strong focus on developing comprehensive, sustainable solutions.

**For more information on how Xylem can help you, go to [www.xylem.com](http://www.xylem.com)**

We value your feedback. Please take our 3 question survey at [bellgossett.com/survey](http://bellgossett.com/survey) to let us know how we are doing.

Learn more about  
Series e-90 Pumps



Xylem Inc.  
8200 N. Austin Avenue  
Morton Grove, Illinois 60053  
Phone: (847) 966-3700  
Fax: (847) 965-8379  
[www.xylem.com/bellgossett](http://www.xylem.com/bellgossett)

Xylem and Bell & Gossett are registered trademarks of Xylem Inc. or one of its subsidiaries. All other trademarks or registered trademarks are property of their respective owners.  
© 2023 Xylem Inc. CP-113A-PL R3 July 2023