

LEAD-FREE*

CIRCUIT SETTER® PLUS

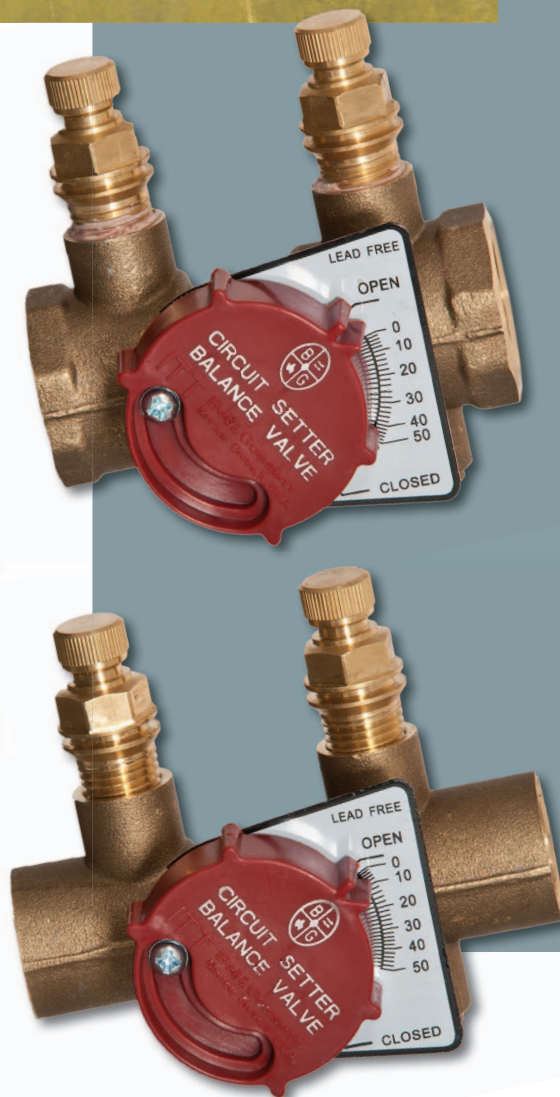
BALANCING VALVES FOR POTABLE WATER AND HVAC SYSTEMS.

Introducing the first lead-free balancing valve from Bell & Gossett, the leader in hydronic balancing. The **Circuit Setter Plus** and **Circuit Setter Plus RF** provide the perfect balance of adjustability and efficiency for potable water systems. They are precisely calibrated for use as a presettable balance valve, variable orifice flow meter and positive shut-off service valve. They are also designed for optimal system efficiency and water conservation. The Circuit Setter Plus and Circuit Setter Plus RF can provide the perfect balancing solutions for your potable water system.

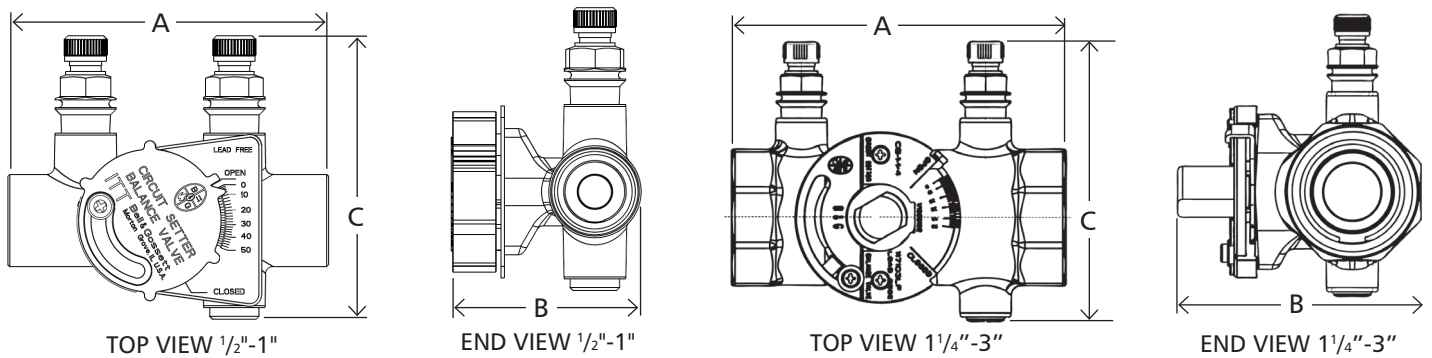
Save time, save energy and save water with the lead-free Circuit Setter Plus and Circuit Setter Plus RF.

- Designed for *all* plumbing and HVAC systems.
- Optimizes system efficiency for potable water systems.
- Provides equal flow throughout all circuits to conserve water.
- Calibrated accurate flow control and measurement.
- Bi-directional design allows any installation configuration.
- Externally adjustable manual balance valve for easy adjustment.
- Reduces pump energy requirements.
- Meets or exceeds stringent codes for potable water.
- Includes memory stop indicator.
- Provides drain option.
- Includes isolation valve and pressure/temperature ports.

* Contains less than 0.25% lead content by weight on wetted surfaces.
CSA Certified: AB1953; Vermont S152; Maryland House Bill 372 [Statute 12-605].
ANSI/NSF-61 Annex G Compliant.



Lead-Free Circuit Setter Plus – Calibrated Balance Valves



MODEL NUMBER	SIZE	CONNECTION TYPE	DIMENSIONS* in inches (mm)			WEIGHT in lbs. (kg)
			A	B	C	
RF-1/2S LF	1/2"	Sweat	2.91 (73.9)	1.82 (46.2)	2.85 (72.4)	0.6 (0.27)
RF-3/4S LF	3/4"	Sweat	3.51 (89.2)	2.05 (52.1)	3.10 (78.7)	0.75 (0.34)
CB-1/2S LF	1/2"	Sweat	2.91 (73.9)	1.82 (46.2)	2.85 (72.4)	1 (0.45)
CB-3/4S LF	3/4"	Sweat	3.51 (89.1)	2.05 (52.1)	3.10 (78.7)	1.25 (0.6)
CB-1S LF	1"	Sweat	4.29 (109)	2.33 (59.2)	3.33 (84.6)	2 (0.91)
CB-1 1/4S LF	1 1/4"	Sweat	4.91 (124.7)	3.08 (78.2)	3.69 (93.7)	3.5 (1.6)
CB-1 1/2S LF	1 1/2"	Sweat	5.21 (132.3)	3.27 (83)	3.95 (100.3)	3.8 (1.7)
CB-2S LF	2"	Sweat	6.31 (160.3)	3.83 (97.3)	4.44 (112.8)	6.2 (2.8)
CB-1/2 LF	1/2"	NPT	2.94 (74.7)	1.98 (50.3)	3.02 (76.7)	1.25 (0.6)
CB-3/4 LF	3/4"	NPT	3.06 (77.7)	2.17 (55.1)	3.12 (79.2)	1.5 (0.7)
CB-1 LF	1"	NPT	3.81 (96.8)	2.47 (62.7)	3.42 (86.9)	2 (0.9)
CB-1 1/4 LF	1 1/4"	NPT	4.41 (112)	3.19 (81)	3.69 (93.7)	3.5 (1.6)
CB-1 1/2 LF	1 1/2"	NPT	4.42 (112.3)	3.37 (85.6)	3.95 (100.3)	3.8 (1.7)
CB-2 LF	2"	NPT	5.13 (130.3)	3.98 (101.1)	4.44 (112.8)	6.2 (2.8)
CB-2 1/2 LF	2 1/2"	NPT	6.00 (152.4)	4.51 (114.6)	4.83 (122.7)	9 (4.1)
CB-3 LF	3"	NPT	6.50 (165.1)	5.12 (130.0)	5.44 (138.2)	12 (5.4)

* All dimensions +/-0.125 (3.2 mm) tolerance. Dimensions are subject to change. Not to be used for construction purposes unless certified.

Typical Specification

Furnish and install as shown on plans with manufacturer recommendations Model CB or "RF" calibrated balance valves.

Pre-set Balance Feature

Valves to be designed to allow installing contractor to pre-set balance points for proportional system balance prior to system start-up in accordance with pre-set balance schedule.

Valve Design and Construction

All valves 1/2" to 3" pipe size to be of Lead-Free Brass** body/SS ball construction with glass and carbon filled TFE seat rings. Valves to have differential pressure read-out ports across valve seat area. Read-out ports to be fitted with internal EPT inserts/check valves. Valve bodies to have 1/4" NPT tapped drain/purge port. Valves to have memory stop feature to allow valve to be closed for service and then reopened to set point without disturbing balance position. All valves to have calibrated nameplates to assure specific valve settings. Valves shall be designed for positive shut-off.

Design Pressure/Temperature

A. 1/2" - 3" NPT connections 400 psig (2758 kPa) at 250°F (121°C)

B. 1/2" - 2" Sweat connections (see submittal)

All balance valves to be Xylem Bell & Gossett Model No. CB— _____ LF or Model No. RF— _____ LF (note sizes).

Important:

When monitoring system flow, care must be exercised to avoid direct skin or eye contact with liquids that may escape. Liquids with temperatures in excess of 120°F (49°C) may cause burns.



Xylem Inc.
8200 N. Austin Avenue
Morton Grove, Illinois 60053
Phone: (847) 966-3700
Fax: (847) 965-8379
www.xylem.com/brands/bellgossett

Bell & Gossett is a trademark of Xylem Inc. or one of its subsidiaries.
© 2011 Xylem Inc. A-512B December 2011