



- Hydronic Heating
- Cooling Systems
- Domestic Water Systems

Relief and Reducing Valves

B&G ASME SAFETY RELIEF VALVES

Meet requirements of Section IV of the ASME Code for Heating Boilers

DESCRIPTION

Bell & Gossett cast iron and bronze body ASME Safety Relief Valves are engineered in accordance with the requirements of Section IV of the ASME Boiler & Pressure Vessel Code for Heating Boilers, and their capacities are certified by the National Board of Boiler and Pressure Vessel Inspectors. B&G diaphragm operated cast iron, and diaphragm-assist operated bronze ASME Safety Relief Valves, are designed to protect fired and unfired hot water vessels against overpressure conditions. The effective area of the EPDM diaphragm is approximately 5 times greater than some conventional "pop-type" relief valves. The diaphragms "oversized" effective area generates a greater operating force which helps to overcome the effects of fouling. Bell & Gossett ASME Safety Relief Valves feature a unique fail-safe disc with sufficient area to permit the valves to maintain their safety relief function in the event of a diaphragm rupture.

The low differential between opening and closing pressures prevent conditions under which system water might flash into steam and cause hammering. Under normal operating conditions thermal expansion opens the valve allowing water to discharge at a low rate of flow. Under emergency conditions the valve will discharge its certified capacity.

Bell & Gossett bronze ASME Safety Relief Valves offer the highest BTUH rating available in the marketplace for valves of their size. B&G ASME Safety Relief Valves are available in a wide range of pressure settings, other than those listed, to closely match the BTUH output rating of hot water heating boilers, direct fired hot water heaters (use bronze valves only), storage tanks with indirect heaters (use bronze valves only), and the BTUH load of heat exchangers and other pressure vessels handling water at a maximum pressure of 125 psi (8.6 bar) and maximum temperature of 250°F (121°C).



MODELS 3301
4100

MODELS 790
1170

| SIZE, CAPACITY AND RELIEF SETTING FOR B&G ASME SAFETY RELIEF VALVES * | | | | |
|--|--|-----------|-------------|-----------|
| RELIEF SETTING PSIG (bar) | MODEL NUMBER CAPACITY IN BTU PER HOUR | | | |
| | IRON BODY | | BRONZE BODY | |
| 30 (2.0) | 3301-30 | 4100-30 | 790-30 | 1170-30 |
| | 3,300,000 | 4,100,000 | 790,000 | 1,170,000 |
| 36 (2.5) | 3301-36 | 4100-36 | 790-36 | 1170-36 |
| | 3,800,000 | 4,600,000 | 900,000 | 1,330,000 |
| 45 (3.1) | 3301-45 | 4100-45 | 790-45 | 1170-45 |
| | 4,500,000 | 5,515,000 | 1,065,000 | 1,575,000 |
| 50 (3.5) | 3301-50 | 4100-50 | 790-50 | 1170-50 |
| | 4,900,000 | 5,990,000 | 1,160,000 | 1,710,000 |
| 75 (5.2) | NOT AVAILABLE | | 790-75 | 1170-75 |
| | | | 1,615,000 | 2,385,000 |
| 100 (7.0) | NOT AVAILABLE | | 790-100 | 1170-100 |
| | | | 2,075,000 | 3,060,000 |
| 125 (8.6) | NOT AVAILABLE | | 790-125 | 1170-125 |
| | | | 2,535,000 | 3,735,000 |

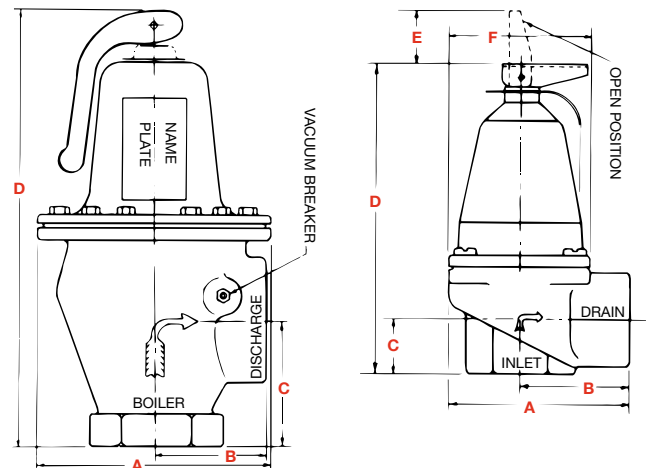
* Contact your local wholesaler or Bell & Gossett representative for availability of ASME Safety Relief Valves with special pressure settings.

MAXIMUM OPERATING TEMPERATURE 250°F (121°C)

MAXIMUM WORKING PRESSURE 125 PSIG (8.6 bar)

MODELS 3301 AND 4100
IRON BODY VALVES

MODELS 790 AND 1170
BRONZE BODY VALVES



MODELS 3301 AND 4100 Iron body relief valves are not recommended for use on domestic water service.

DIMENSIONS & WEIGHTS

| MODEL NUMBER | BODY | NPT CONNECTIONS | | DIMENSIONS INCHES (mm) | | | | | | APPROX SHIPPING WEIGHT POUNDS (Kg) |
|-----------------|--------|--------------------|--------|------------------------|------------|------------|---------------|-------------|-------------|---|
| | | INLET | OUTLET | A | B | C | D | E | F | |
| 790 | BRONZE | 3/4 | 3/4 | 2 7/16 (65) | 1 1/2 (38) | 3/4 (19) | 4 7/16 (116) | — | 2 3/32 (53) | 1.2 (0.5) |
| 1170 | | 1 | 1 | 2 7/8 (73) | 1 3/4 (44) | 7/8 (22) | 4 13/16 (125) | 1 1/32 (26) | 2 1/4 (57) | 1.5 (0.7) |
| 3301 4100 | IRON | 1 1/2 | 2 | 6 (152) | 2 7/8 (73) | 3 1/4 (83) | 11 (279) | — | — | 17 (7.7) |

*Actual unit model numbers include individual valve pressure settings as a suffix to the basic valve model number noted.

B&G REDUCING AND DUAL UNIT VALVES

Maintain proper system pressure

The established operating principal of the B&G Reducing Valve is now offered with a brass body as standard material. Highly resistant to corrosion, brass is recognized as the material of choice in water systems.

Another standard feature is a unique low inlet pressure check valve. The check valve is designed to help prevent the loss of system pressure if the supply water pressure drops below the system pressure.

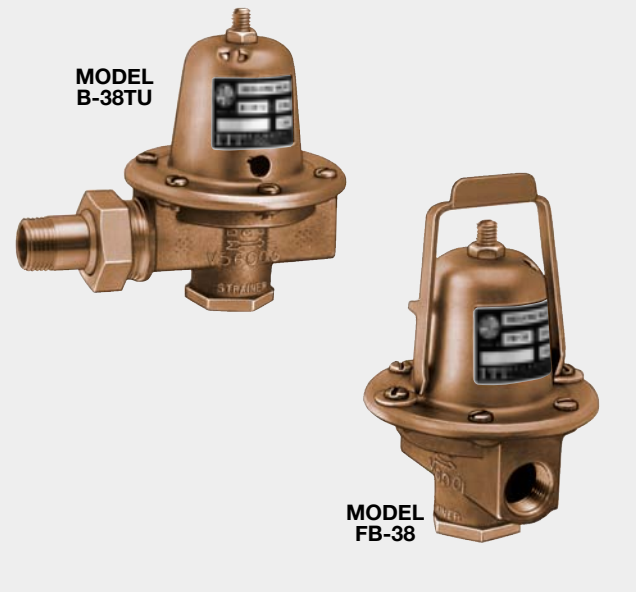
During normal operation the valve seat opens because of low system pressure and water flows in through the valve seat. In order to enter the system, this water must first pass under the flexible sealing lips of the check valve. In case of low city water pressure, the pressure on the inside of the check valve (the city water side) would be less than the pressure on the outside (the system water side). This outside pressure then forces the lips of the check valve against the main diaphragm preventing the flow of water out of the system.

A simple, yet extremely effective device, the low inlet pressure check valve is less affected by dirt than are ball and flapper type checks.

Also available are a fastfill feature and a model with a union connection.

Some models are standard with a manual fastfill feature that facilitates fast filling of a Hydronic System. A real time saver for that initial fill or when a substantial amount of water must be added to a system.

An optional feature available is a union connection. Bell & Gossett offers a body configuration with a union nut and



universal tailpiece. The tailpiece is designed with a 1/2 inch male NPT thread and a 1/2 inch female sweat connection. No more second trips to the supplier, the right connection is available.

All Bell & Gossett Reducing Valves feature a cleanable strainer which is designed to prevent dirt and sediment from entering the valve. The strainer is readily accessible at the bottom of the valve.

B7-12 Reducing Valve

This low pressure reducing valve is equipped with a low inlet pressure check valve and removable strainer. It is suitable for use in buildings with a maximum of three floors.

Nos. B-38, FB-38, B-38TU, & FB-38TU

These low pressure reducing valves are equipped with a low inlet pressure check valve and removable strainer. Models with an "F" prefix feature fastfill. Models ending with "TU" feature a 1/2" sweat/NPT union.

Nos. 6 & 7 High Pressure Reducing Valves

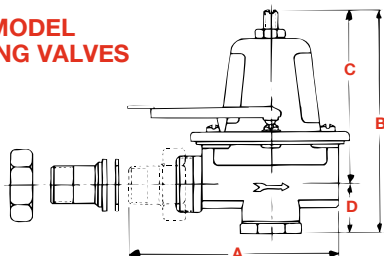
Protects plumbing fixtures against excessive line pressures. All wetted parts are brass. These valves are fitted with a removable strainer, low inlet pressure check valve and extra large diaphragm. They are factory adjusted to deliver 45 psi (3.1 bar) with 125 psi (8.6 bar) to the valve.

DIMENSIONS & WEIGHTS

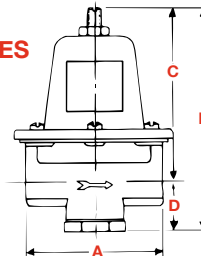
| MODEL NUMBER | BODY MATERIAL | CONNECTION SIZE INCHES | FACTORY SETTING PSIG(bar) | ADJUSTABLE RANGE PSIG(bar) | DIMENSIONS – INCHES (mm) | | | | APPROX. SHIP. WT.-LBS.(KG) EACH | |
|---------------------------------|---------------|------------------------|---------------------------|----------------------------|--------------------------|---------------|---------------|--------------|---------------------------------|---------------|
| | | | | | A | B | C | D | | |
| PRESSURE REDUCING VALVES | | | | | | | | | | |
| B-38 | BRASS | 1/2 | NPT | 12 (0.8) | 10-25 (0.7-1.7) | 3 1/16 (78) | 4 13/16 (122) | 3 11/16 (94) | 1 1/8 (29) | 1 3/4 (0.8) |
| B7-12 | | 3/4 | | | | 3 (76) | 4 31/32 (126) | 3 21/32 (93) | 1 5/16 (33) | 2 1/4 (1.0) |
| B-38TU | | 1/2 | UNION NPT/SWEAT | | | 4 31/32 (126) | 3 11/16 (94) | 1 1/8 (29) | 2 (0.9) | |
| FB-38 | | 1/2 | NPT | | | 3 1/16 (78) | | | | |
| FB-38TU | | 1/2 | UNION NPT/SWEAT | | | 4 31/32 (126) | | | | |
| 6 | | 1/2 | NPT | | | 3 1/16 (78) | | | | |
| 7 | | 3/4 | | | | 3 (76) | | | | 4 31/32 (126) |

MAXIMUM FLOW 6 1/2-7GPM (0.4-0.44 Ltrs./Sec.) AT 125 PSIG (8.6 bar) INLET PRESSURE
 MAXIMUM OPERATING TEMPERATURE 225°F (107°C) – MAXIMUM WORKING PRESSURE 125 PSIG (8.6 bar)

UNION MODEL REDUCING VALVES



THREADED REDUCING VALVES



B&G DUAL-UNIT VALVES

Combine functions of reducing and relief valves

The Bell & Gossett Pressure Reducing Valve is coupled with the noncode relief* valve providing fill overpressure protection as well as the fill function. The pressure reducing valve features a brass body, corrosion resistant wetted parts, low inlet pressure check valve and a cleanable strainer. The noncode relief valve features a corrosion resistant seat and a large diaphragm for positive action. Units are available with brass relief valve bodies.

Some models feature pressure reducing valves with a fast fill option while others offer the new union tailpiece connection.

* NOTE: This noncode relief valve is not to be used alone to protect the system. An ASME type safety relief valve must also be installed on the system for output overpressure protection.



DIMENSIONS & WEIGHTS

| MODEL NO. | COMPONENT VALVES | BODY MAT'L | CONNECTIONS INCHES (mm) | | DIMENSIONS INCHES (mm) | | APPROX SHIP. WT. LBS. (Kg) ea. |
|-----------|------------------|------------|-------------------------|---------------------|------------------------|----------------|--------------------------------|
| | | | BOILER | FILL | BETWEEN CONNECTION | OVERALL HEIGHT | |
| 8 | RELIEF B-38 | BRASS | | 1/2 NPT | 6 7/16 (164) | 5 5/8 (137) | 4 (1.8) |
| F-3 | RELIEF FB-38 | BRASS | 1/2 NPT | 1/2 NPT | 6 7/16 (164) | 6 (152) | 3 3/4 (1.7) |
| F-3TU | RELIEF FB-38TU | BRASS | | 1/2 UNION NPT/SWEAT | 8 5/8 (219) | | 4 (1.8) |

PRESSURE SETTING

RELIEF 30 PSI (2 bar) STANDARD, 20 TO 40 PSI (1.4 TO 2.8 bar) ADJUSTABLE RANGE

REDUCING 12 PSI (0.8 bar) STANDARD, 10 TO 25 PSI (0.7 TO 1.7 bar) ADJUSTABLE RANGE

MAXIMUM OPERATING TEMPERATURE 225°F (107°C)

MAXIMUM OPERATING PRESSURE 125 PSIG (8.6 bar)

Nos. 8, F-3 & F-3TU Dual Unit Valves

B&G Dual Unit Valves combine the functions of reducing and relief valves. Models with an "F" prefix feature fastfill. Models ending with "TU" feature a 1/2" sweat/NPT union.



Xylem Inc.
 8200 N. Austin Avenue
 Morton Grove, Illinois 60053
 Phone: (847) 966-3700
 Fax: (847) 965-8379
www.xylem.com/brands/bellgossett