

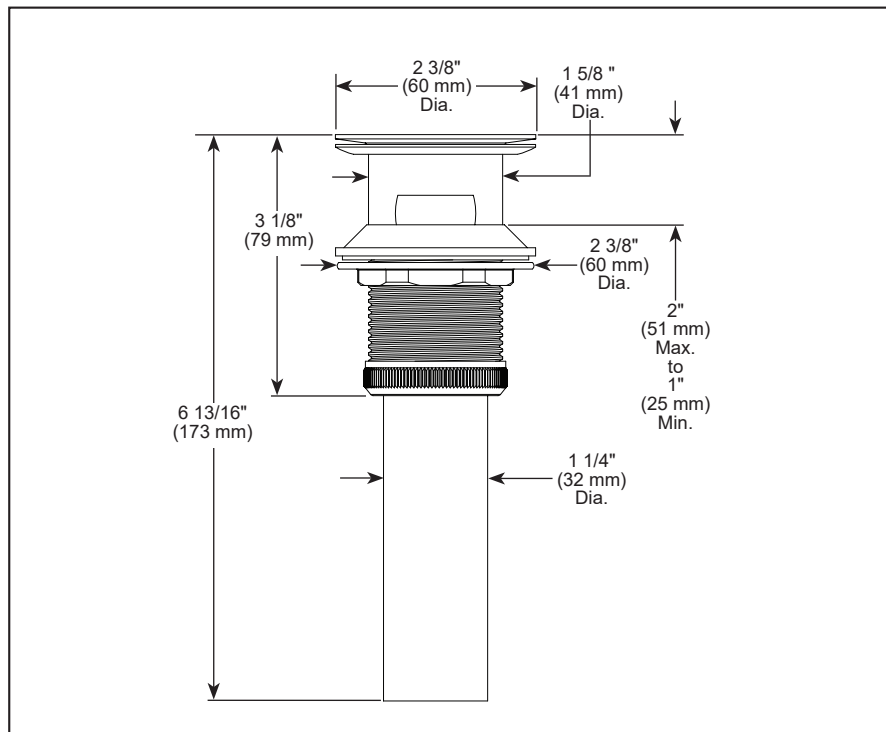
BRIZO®

GRID STRAINER BATHROOM DRAIN ASSEMBLY

- Grid Strainer Drain
- For Use with Bathroom Sinks With Overflow Drain Holes

STANDARD SPECIFICATIONS:

- Grid strainer drain
- For use with bathroom sinks with overflow drain holes
- Fits sinks with standard 1 5/8" drain hole size



▲ Designate Proper Finish Suffix

WARRANTY

- Parts and Finish - Lifetime limited warranty; or for commercial purchasers, 10 years for multi-family residential (apartments and condominiums) and 5 years for all other commercial uses, in each case from the date the product is received by the original purchaser or their authorized representative (installation contractor, etc.).
- Electronic Parts and Batteries (if applicable) - 5 years from the date the product is received by the original purchaser or their authorized representative (installation contractor, etc.); or for commercial purchasers, 1 year from the date the product is received by the original purchaser or their authorized representative (installation contractor, etc.). No warranty is provided on batteries.
- Please go to www.brizo.com for the complete details of our limited warranty.

COMPLIES WITH:

- ASME A112.18.2 / CSA B125.2