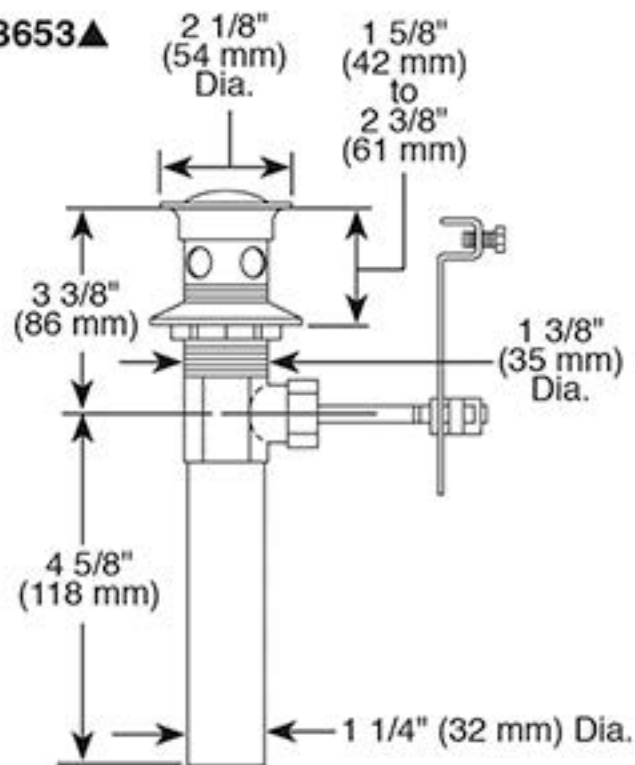
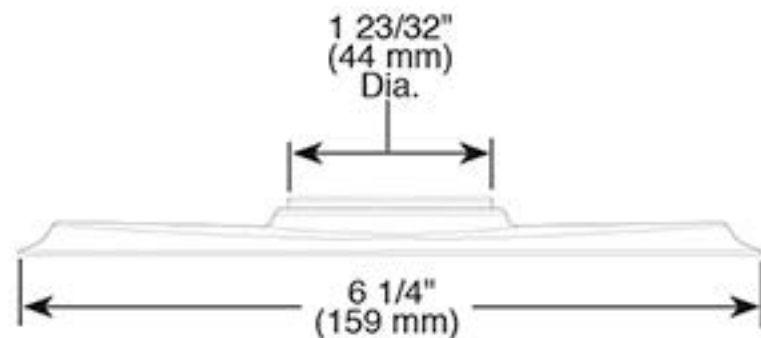


RP28653▲



RP61619▲
Optional



▲ Designate Proper Finish Suffix