

FEATURES

- Vitreous china
- Continuous integral open rim
- 12" (305 mm) rough-in
- High efficiency-consumption 1.28 gpf/4.8 Lpf
- Includes color matched plastic trip lever
- Sanitary bar on all bowls
- Toilet seat sold separately

MODEL & DESCRIPTION

4832 Combination consists of:

4880 Abingdon HET Round front bowl
Shipping weight: 35 lb (15.9 kg)


4800 Abingdon HET 12" Rough-In tank
Shipping weight: 34 lb (15.4 kg)

4833 Combination consists of:

4885 Abingdon HET Elongated front bowl
Shipping weight: 38 lb (17.2 kg)

4800 Abingdon HET 12" Rough-in tank
Shipping weight: 34 lb (15.4 kg)

4834 Combination consists of:

4888 Abingdon HET ComfortFit ADA front bowl 
Shipping weight: 43 lb (kg)

4800 Abingdon HET 12" Rough-in tank
Shipping weight: 34 lb (15.4 kg)

Optional Tanks:


4802 12" R.I. with Right Hand Flush Lever

4804 10" Rough-in Tank

4805 14" Rough-in Tank

CODES & STANDARDS

Meets or exceeds the following:

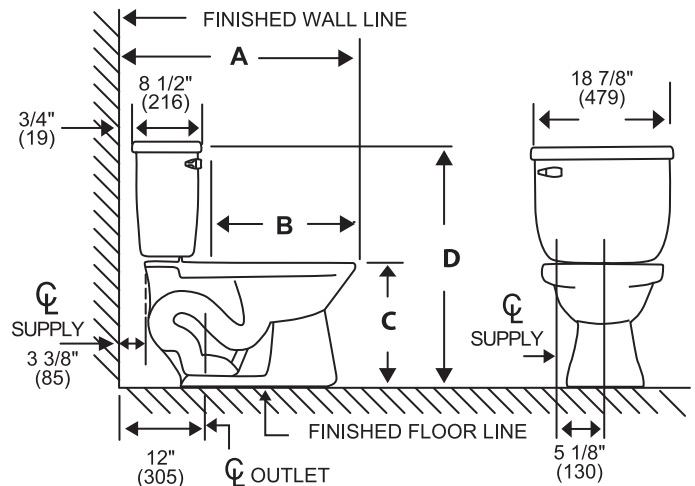
- ASME A112.19.2
- CSA B45.1
- IAPMO/cUPC 



COLORS:

WHITE (130)

SPECIFICATIONS



	4832	4833	4834
A	27 1/2" (699)	29 1/2" (749)	30 1/2" (775)
B	16 1/2" (419)	18 1/2" (470)	18 1/2" (470)
C	14 1/2" (368)	14 1/2" (368)	17" (432) &
D	28 7/8" (733)	28 7/8" (733)	31 3/8" (797)

Dimensions may vary (+) or (-) 1/4". Dimensions shown in parentheses are in millimeters: 25.4 mm = 1 inch. Note: Fixture dimensions are nominal and conform with dimension and performance requirements of ASME A112.19.2-2008/CSA B45.1-08 standards. PSI rating: 20 minimum to 80 maximum per ASME A112.19.2-2008/CSA B45.1-08 standards. Dimensions subject to change or cancellation without notice. Briggs is not responsible for the use of superceded or voided specification information.