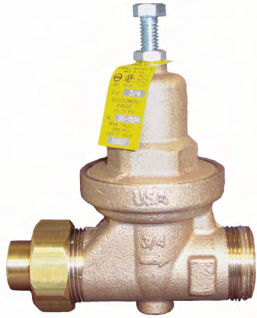


36 Series

Pressure Reducing Valve



Job Name:	
Job Location:	
Engineer:	
Contractor:	
Tag:	
PO#:	
Rep:	
Wholesale Dist.:	

DESCRIPTION

Apollo 36 Series Pressure Reducing Valves are designed to protect residential and commercial water distribution systems by controlling excessive pressures. The valves are built for long reliable service with proven ASTM grade materials including a bronze body and stainless steel strainer.

FEATURES

- Corrosion Resistant Bronze Body and Bonnet
- 100% Factory Tested, Preset to 50 psi (-01)
- Control Pressure Ranges:
10-35 psi, 25-75 psi (standard), 75-125 psi
- Integral SS Strainer
- Balanced Piston Design
- Internal Thermal Expansion Bypass
- Multiple Connection Options
- Optional Pressure Gauge or tapping
- **100% Manufactured in USA**

APPROVALS

- ASSE 1003
- CSA B356

OPTIONS

- (P) - Tapped w/ Plug
- (G) - Tapped w/ Gauge
- (02) - 10-35 psig
- (03) - 75-125 psig
- (36LF) - Certified Lead Free

STANDARD MATERIALS LIST

BODY	Bronze, ASTM B584
COVER	Bronze, ASTM B584
DIAPHRAGM	FDA Grade Buna W/ Polyester
SEAT DISC	FDA Grade EPDM
STEM	Brass, ASTM B-16
SPRING	Stainless Steel
O-RINGS	FDA approved Nitrile

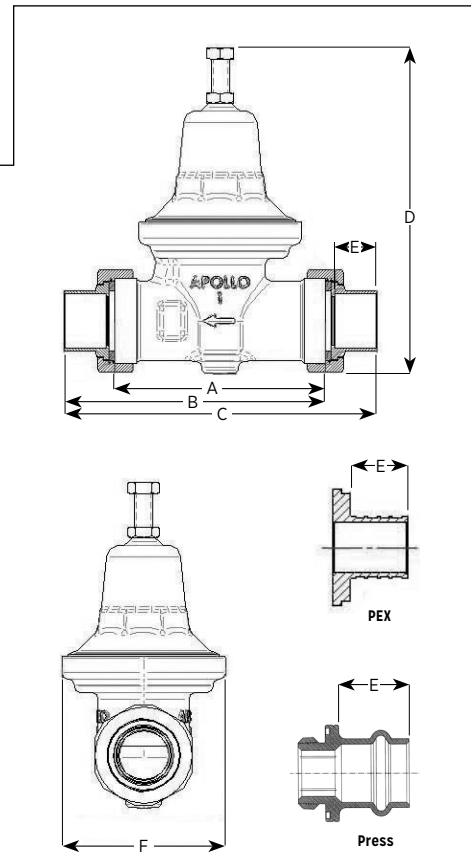
PERFORMANCE RATING

- Maximum Supply Pressure up to 300 psig
- Temperature Range 33°F - 180°F

DIMENSIONS

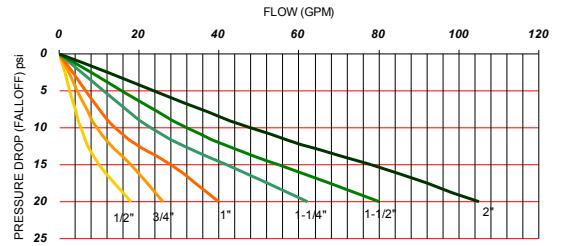
SIZE (IN.)	CONNECT TYPE	DIMENSIONS (IN.)						WT. (UNION) LB. EACH
		A	B	C	D	E	F	
1/2"	THREAD	4	4-7/8	5-5/8	5-7/8	5/8	2-3/4	3.5
	SOLDER	4	4-7/8	5-5/8	5-7/8	1/2	2-3/4	3.4
	PEX	4	5	5-3/4	5-7/8	5/8	2-3/4	3.3
	CPVC	4	4-5/8	5-1/4	5-7/8	1/2	2-3/4	3.1
3/4"	THREAD	3-7/8	4-7/8	5-5/8	5-7/8	5/8	2-3/4	3.4
	SOLDER	3-7/8	4-7/8	5-5/8	5-7/8	3/4	2-3/4	3.3
	PEX	3-7/8	5	5-3/4	5-7/8	5/8	2-3/4	3.2
	CPVC	3-7/8	4-7/8	5-5/8	5-7/8	5/8	2-3/4	3
1"	THREAD	4-3/8	5-1/2	6-3/8	6-7/8	5/8	3-3/8	4.5
	SOLDER	4-3/8	5-1/2	6-3/8	6-7/8	5/8	3-3/8	4.4
	PEX	4-3/8	5-1/2	6-5/8	6-7/8	7/8	3-3/8	4.3
	CPVC	4-3/8	5-3/4	7	6-7/8	3/4	3-3/8	4
1-1/4"	THREAD	5-3/8	6-1/2	7-1/2	8-7/8	7/8	4	10.2
	SOLDER	5-3/8	6-5/8	7-3/4	8-7/8	1	4	10.1
1-1/2"	THREAD	5-3/8	6-5/8	7-7/8	8-7/8	3/4	4	10.4
	SOLDER	5-3/8	6-3/4	8	8-7/8	1-1/8	4	10.3
2"	THREAD	7-1/8	8-1/2	9-7/8	11-1/2	1	5-3/4	22.5
	SOLDER	7-1/8	8-7/8	10-1/2	11-1/2	1-3/8	5-3/4	22.4

Nominal dimensions are shown. Allowances must be made for manufacturers' tolerances.



FLOW CAPACITY

PIPE SIZE	FALL-OFF* (PSI)	PRESSURE DIFFERENTIAL (PSI)			PIPE SIZE	FALL-OFF* (PSI)	PRESSURE DIFFERENTIAL (PSI)		
		25	50	75			25	50	75
1/2"	5	1.7	2	2.3	1-1/4"	5	8.5	10	11.5
	10	4.3	5	5.8		10	19.6	23	26.5
	15	8.5	10	11.5		15	35.7	42	48.3
	20	15.3	18	20.7		20	53	62	71
3/4"	5	3.4	4	4.6	1-1/2"	5	12	14	16
	10	7.7	9	10.4		10	27	32	37
	15	14.5	17	19.6		15	48	56	64
	20	14.5	17	19.6		20	68	80	92
1"	5	5.1	6	6.9	2"	5	15	18	21
	10	11.9	14	16.1		10	39	46	53
	15	22.1	26	29.9		15	66	78	90
	20	34	40	46		20	94	110	127



Note: Flow curves are based on static conditions of 100psi inlet pressure and 50 psi outlet pressure.
 Pressure differential is the difference between the supply pressure and adjusted outlet pressure measured in the static (closed) condition.
 Pressure fall-off is the decrease in downstream regulated pressure as the flow increases.

PART NUMBER MATRIX

36LF 36	X	X	X	X	X	X
SERIES	CONNECTION	OPTION	SIZE	GAUGE	PRESSURE RANGE	OPTION
36LF (LEAD FREE)	1 - SINGLE UNION NPT	0 - NO OPTION	3 - 1/2"	0 - NO GAUGE	1 - 25-75 PSIG	PR- PRESS
36	2 - NO UNION NPT	C - CPVC TAILPIECE	4 - 3/4"	P - W/ GAUGE PORT	2 - 10-35 PSIG	(APPLIES TO MODELS 36-20X
	3 - SINGLE UNION SOLDER X NPT	S - SEALED CAGE*	5 - 1"	G - W/ GAUGE	3 - 75-125 PSIG	AND 36LF20X ONLY)
	4 - DOUBLE UNION NPT	X - PEX F1807 TAILPIECE	6 - 1-1/4"			
	5 - DOUBLE UNION SOLDER		7 - 1-1/2"			
	6 - SINGLE UNION METER X NPT		8 - 2"			
	8 - DOUBLE UNION CPVC					
	9 - DOUBLE UNION PEX F1807					

* S option = Sealed cage with stainless steel adjusting screw for vault installation.