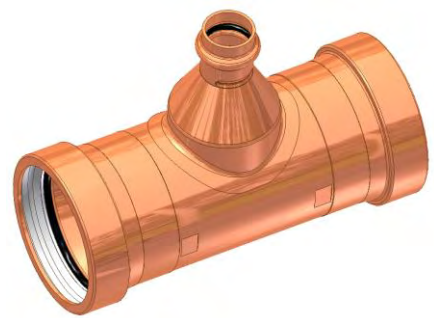


811R Large/Small Diameter

APOLLOPRESS® Press End Copper Reducing Outlet Tee
CxCxC (2-1/2" x 1/2" through 4" x 2")

SUBMITTAL SHEET

"Apollo" Flow Controls



Job Name:	
Job Location:	
Engineer:	
Contractor:	
Tag:	
PO#:	
Rep:	
Wholesale Dist.:	

DESCRIPTION

The APOLLOPRESS® 811R Large/Small Diameter Press Reducing Outlet Tee features a lead free dezincification resistant copper body, a patented stainless-steel solid cross-section grab ring, a nylon separation ring and an EPDM o-ring. APOLLOPRESS® products are manufactured utilizing proven ASTM materials and standards. Proudly made in the USA.

FEATURES

- Lead Free Construction
- Leak Before Press® Technology
- Visual Element, Break Away Band (Pat# 9,532,451)
- Ridgid® XLC Press Tool Compatible
- Made in USA

PERFORMANCE RATING

- Maximum Pressure: 300 psi
- Temperature Range: 32°F to 250°F depending on application

STANDARD MATERIALS LIST

Body	UNS C12200 Copper
Grab Ring	316/304 Stainless Steel
Spacer Ring	Nylon 66
O-Ring	EPDM
Lubrication	Silicone, ANSI/NSF-61 Listed

APPROVALS

- UPC, cUPC & IPC
- IAPMO PS I17-2016 & TIL MSE-13
- NSF/ANSI 61 - Water Quality
- NSF/ANSI 372 - Lead Free

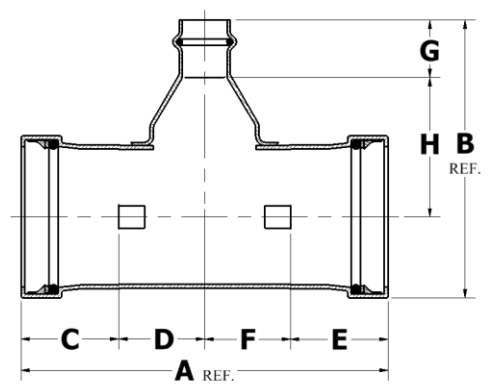
APOLLOPRESS®

- Large/Small Diameter Sizes 2-1/2" x 1/2" through 4" x 2"
- Model 811R, Reducing Outlet Tee

APOLLOPRESS® connectors are designed for direct mechanical connection to ASTM B88-Type K, L, and M copper tubing in the hard drawn condition. Press connectors are not suitable for steam or flammable gas service.

DIMENSIONS

ITEM NO.	SIZE (IN.)	DIMENSIONS (IN.)										WEIGHT (LB.)	
		A	B	C	D	E	F	G	H	HEIGHT	WIDTH		DEPTH
10068042	2-1/2x2-1/2x1/2	7.15	5.58	1.9	1.67	1.9	1.67	0.85	3.13	5.58	7.15	3.16	1.93
10068045	2-1/2x2-1/2x3/4	7.15	5.42	1.9	1.67	1.9	1.67	0.89	2.95	5.42	7.15	3.16	1.92
10068048	2-1/2x2-1/2x1	7.15	5.21	1.9	1.67	1.9	1.67	0.97	2.66	5.21	7.15	3.16	1.94
10068051	2-1/2x2-1/2x1-1/4	7.15	4.58	1.9	1.67	1.9	1.67	1.09	1.92	4.58	7.15	3.16	1.8
10068054	2-1/2x2-1/2x1-1/2	7.15	4.83	1.9	1.67	1.9	1.67	1.47	1.78	4.83	7.15	3.16	1.98
10068057	2-1/2x2-1/2x2	7.15	5.08	1.9	1.67	1.9	1.67	1.59	1.92	5.08	7.15	3.16	2.08
10068060	3x3x1/2	7.95	6.21	2.1	1.87	2.1	1.87	0.85	3.52	6.21	7.95	3.68	2.73
10068063	3x3x3/4	7.95	6.05	2.1	1.87	2.1	1.87	0.89	3.32	6.05	7.95	3.68	2.71
10068066	3x3x1	7.95	5.84	2.1	1.87	2.1	1.87	0.97	3.04	5.84	7.95	3.68	2.75
10068069	3x3x1-1/4	7.95	5.09	2.1	1.87	2.1	1.87	1.04	2.21	5.09	7.95	3.68	2.58
10068072	3x3x1-1/2	7.95	5.34	2.1	1.87	2.1	1.87	1.43	2.07	5.34	7.95	3.68	2.74
10068075	3x3x2	7.95	5.59	2.1	1.87	2.1	1.87	1.59	2.17	5.59	7.95	3.68	2.87
10068078	4x4x1/2	9.84	7.32	2.5	2.42	2.5	2.42	0.85	4.13	7.32	9.84	4.7	4.93
10068081	4x4x3/4	9.84	7.16	2.5	2.42	2.5	2.42	0.89	3.93	7.16	9.84	4.7	4.96
10068084	4x4x1	9.84	6.96	2.5	2.42	2.5	2.42	0.97	3.64	6.96	9.84	4.7	4.98
10068087	4x4x1-1/4	9.84	6.1	2.5	2.42	2.5	2.42	1.04	2.71	6.1	9.84	4.7	4.82
10068090	4x4x1-1/2	9.84	6.35	2.5	2.42	2.5	2.42	1.43	2.57	6.35	9.84	4.7	4.98
10068093	4x4x2	9.84	6.6	2.5	2.42	2.5	2.42	1.59	2.67	6.6	9.84	4.7	5.08



*LEAD FREE: The wetted surfaces of this product shall contain no more than 0.25% lead by weighted average. Complies with Federal Public Law III-380. ANSI 3rd party approved and listed.

Customer Service (704) 841-6000
www.apolloflowcontrols.com

This specification is provided for reference only. Conbraco Industries Inc. reserves the right to change any portion of this specification without notice and without incurring obligation to make such changes to Conbraco products previously or subsequently sold. Please visit apolloflowcontrols.com for the most current information.

