

WHEELCHAIR USERS LAVATORY

- Vitreous china
- Wall mount sink
- Front overflow
- For concealed arms support (by others)
- Faucet ledge (faucet not included)

Faucet Holes on 102mm (4") centers

- 9141.011** Faucet holes on 102mm (4") centers (Illustrated)
- 9141.911** (Modification SKU) Faucet holes on 102mm (4") centers
 - Less overflow

Faucet Holes on 267mm (10-1/2") centers

- 9140.013** Faucet holes on 267mm (10-1/2") centers
- 9140.021** (Modification SKU) Faucet holes on 267mm (10-1/2") centers
 - Extra right-hand hole

Faucet Holes center hole only

- 9140.047** Center hole only

Nominal Dimensions:

508 x 686mm
(20" x 27")

Bowl Sizes:

14" (356mm) wide
14-3/4" (375mm) front to back
4-3/4" (121mm) deep

Compliance Certifications -

Meets or Exceeds the Following Specifications:

- ASME A112.19.2 for Vitreous China Fixtures



SEE REVERSE FOR ROUGHING-IN DIMENSIONS

To Be Specified:

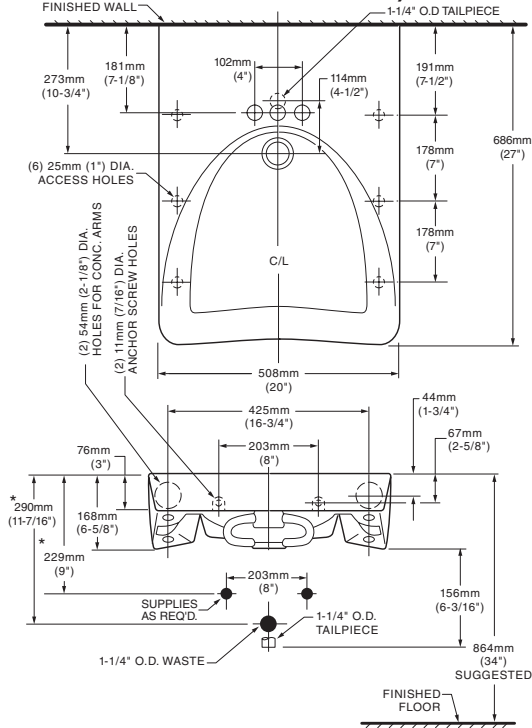
- Color: White
- Faucet*:
- Faucet Finish:
- Supplies with Stop:
- 1-1/4" Trap:
- Nipple:
- Concealed Arms Support (by others):
- Offset Grid Drain Assembly:

* See faucet section for additional models available

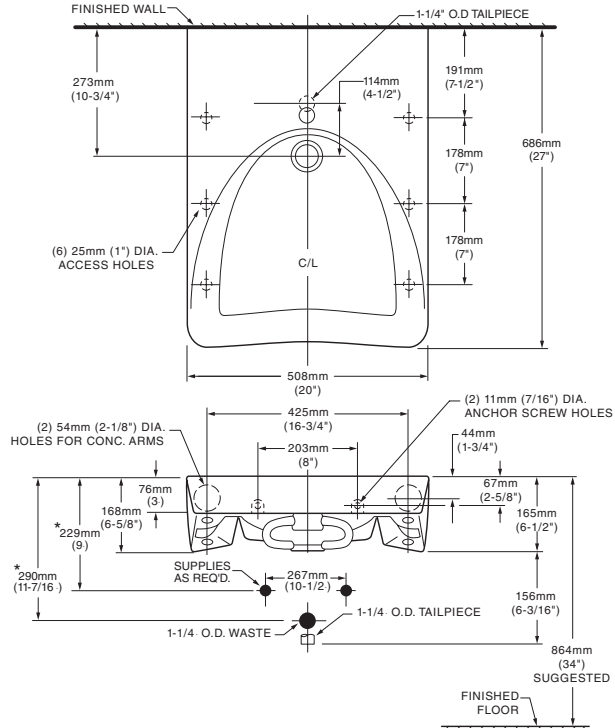


MEETS THE AMERICANS WITH DISABILITIES ACT GUIDELINES AND ANSI A117.1 ACCESSIBLE AND USABLE BUILDINGS AND FACILITIES - CHECK LOCAL CODES.
Top of front rim mounted 864mm (34") from finished floor.

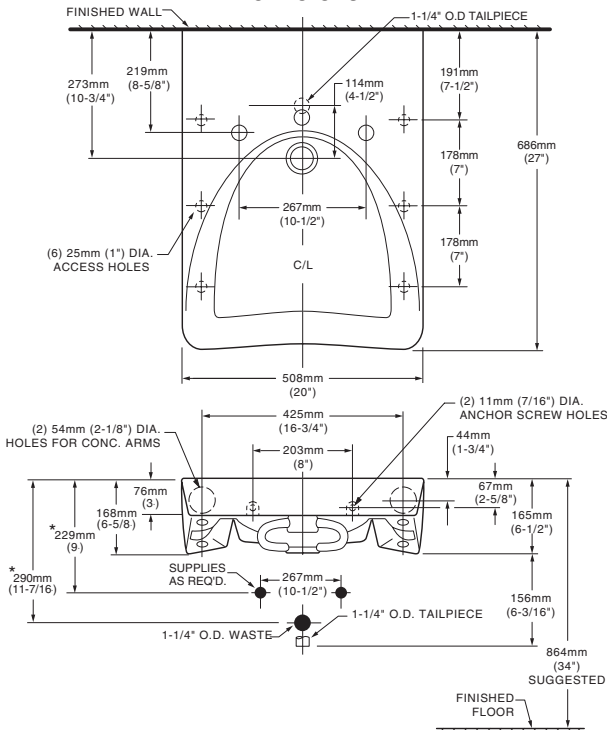
9141.011 AND 9141.911 (MODIFICATION
LESS OVERFLOW)



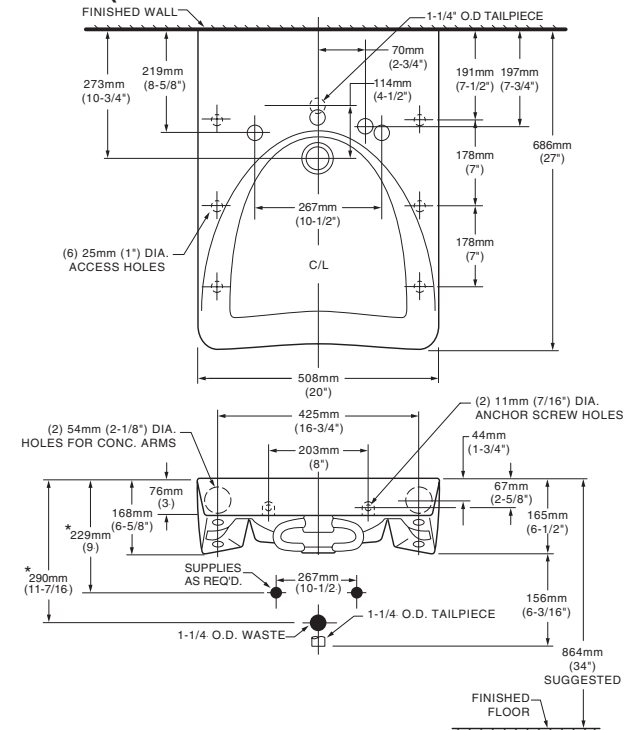
9140.047



9140.013



9140.021 (MODIFICATION EXTRA RIGHT HAND HOLE)



NOTES:

* DIMENSIONS SHOWN FOR LOCATION OF SUPPLIES AND "P" TRAP ARE SUGGESTED. CONCEALED ARM SUPPORT AS REQUIRED TO BE FURNISHED BY OTHERS. FITTINGS NOT INCLUDED AND MUST BE ORDERED SEPARATELY. PROVIDE SUITABLE REINFORCEMENT FOR ALL WALL SUPPORTS.



MEETS THE AMERICANS WITH DISABILITIES ACT GUIDELINES AND ANSI A117.1 ACCESSIBLE AND USABLE BUILDINGS AND FACILITIES - CHECK LOCAL CODES. Top of front rim mounted 864mm (34") from finished floor.

IMPORTANT: Dimensions of fixtures are nominal and may vary within the range of tolerances established by ANSI Standard A112.19.2. These measurements are subject to change or cancellation. No responsibility is assumed for use of superseded or voided pages.