

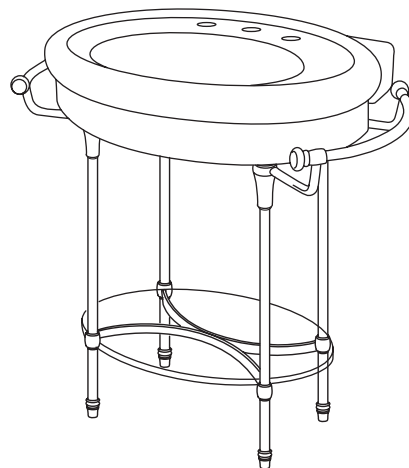


ASSEMBLY & INSTALLATION INSTRUCTIONS

Standard® CONSOLE TABLE

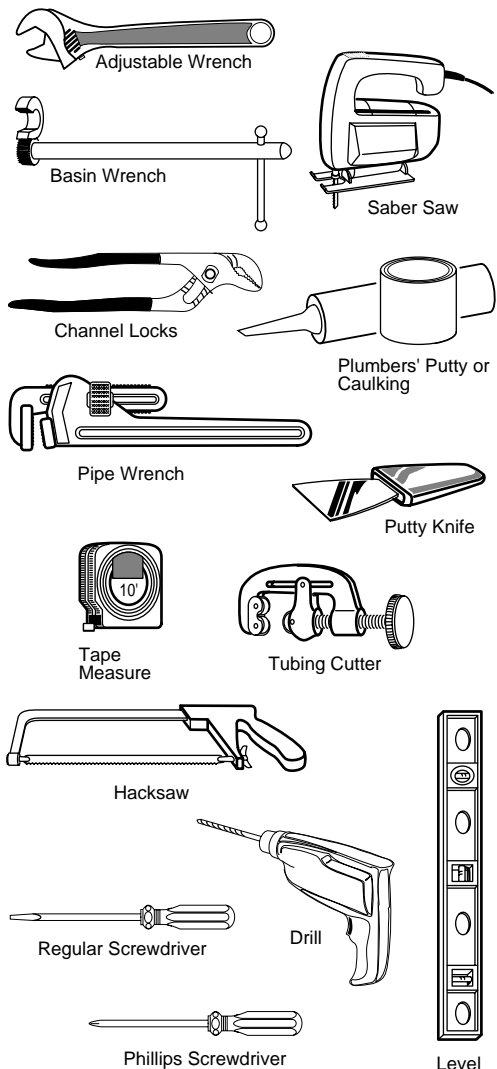
7483.002

7483.295

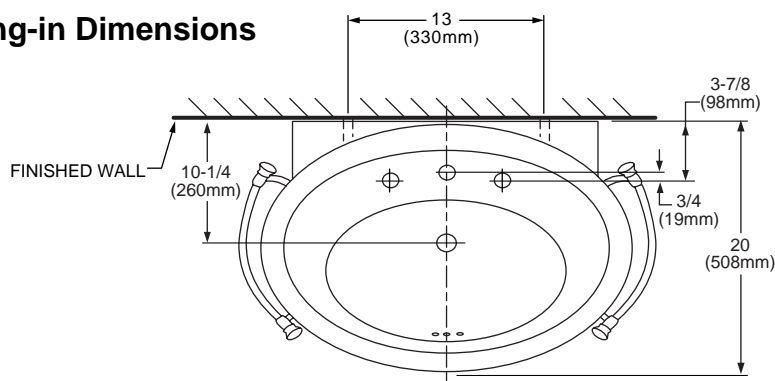


Thank you for selecting our products...products which have been the benchmarks of fine quality for over 100 years. To help insure that the installation process will proceed smoothly, please read these instructions carefully before you begin. Also, review the recommended tools and materials list; carefully unpack and examine your new plumbing fixture.

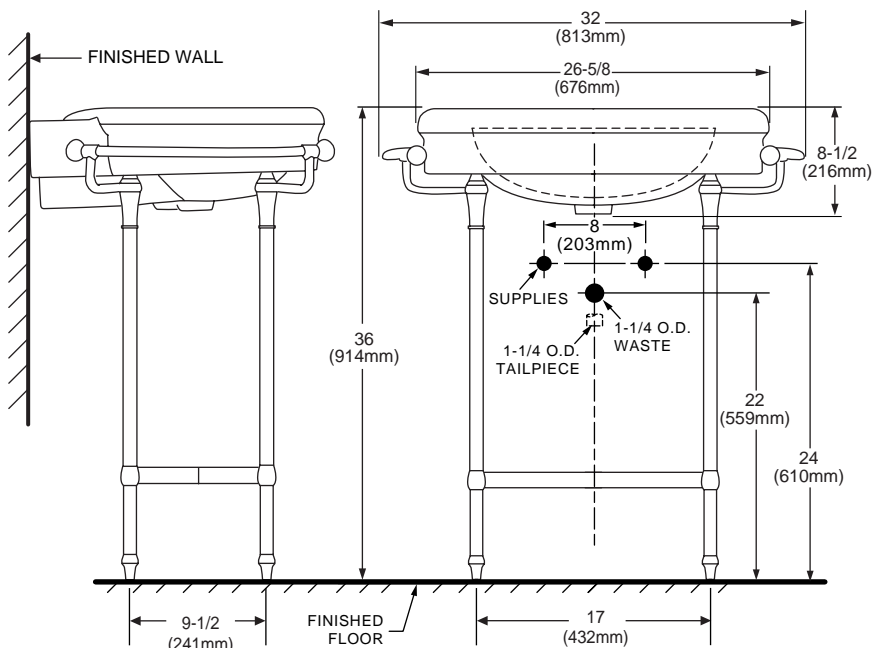
Recommended Tools & Materials

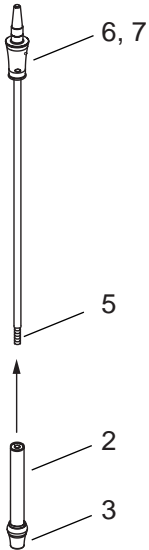


Roughing-in Dimensions



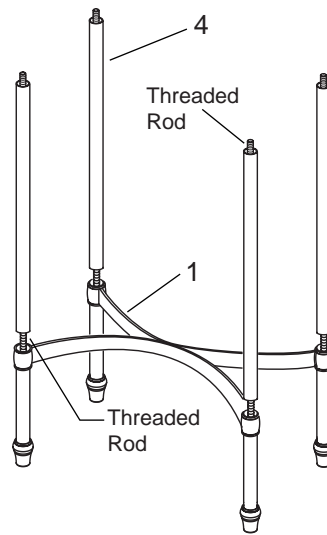
- 0283.000 STANDARD® CONSOLE PEDESTAL TOP
- 8710.000.002 CONSOLE TABLE LEGS (Chrome)
- 8710.000.095 CONSOLE TABLE LEGS (Satin)



1A

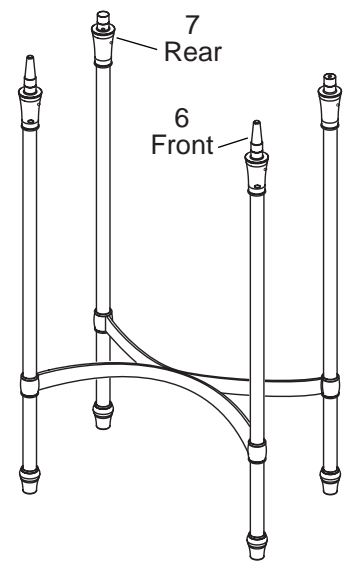
Remove lower leg support / adjustable foot assembly (items 2 & 3) from accessories box and screw them completely onto the 4 threaded rods (item 5).

Unscrew the 2 front leg trumpets (item 6) and 2 rear leg trumpets (item 7) from the threaded rod (item 5).

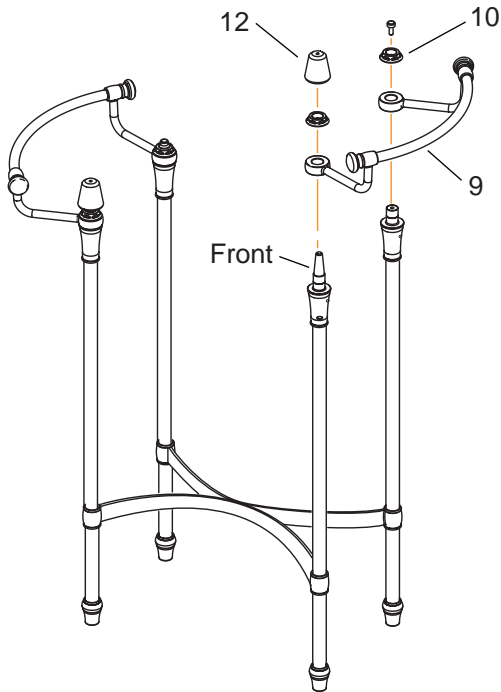
1B

Slide Shelf Support (item #1) onto 4 leg subassemblies.

Slide the 4 Upper Legs (item #4) onto the Threaded Rods from the 4 leg subassemblies as shown.

2

Screw on the 2 Front Leg Trumpets (item #6) and 2 Rear Leg Trumpets (item #7). Make sure the Upper Legs recess into the underside of the Trumpets.

3

Slide the 2 Towel Bar Assemblies (item #9) over the tops of the Trumpets and secure with the 4 Towel Bar Retaining Nuts (item #10). The retaining nuts can be tightened by hand.

Place the 2 Front Leg Grommets (item #12) over the tops of the 2 Front Leg Trumpets.

NOTE: To prevent breakage, slide the Oval Glass Shelf (item #11) into place *only after the lavatory and Console Legs are completely assembled and the lavatory is bolted to the wall*. Be sure to remove protective film from glass shelf before final assembly.

CAUTION: Do not use towel bars as handles to move the console table. Lift the console from the upper legs.

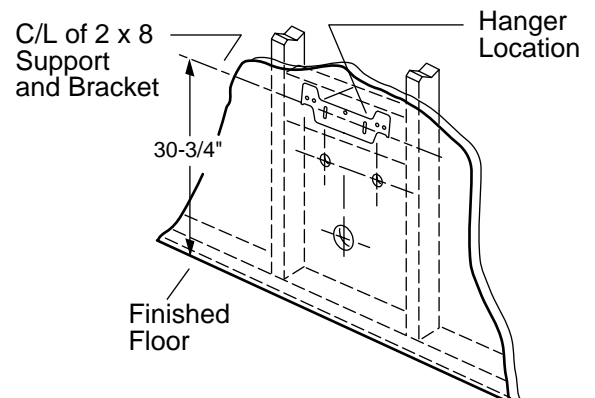
After console table is assembled, follow lavatory installation procedure below.

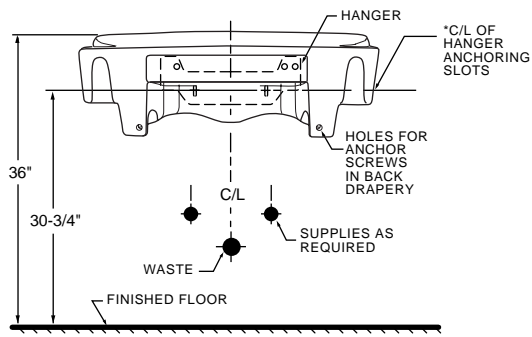
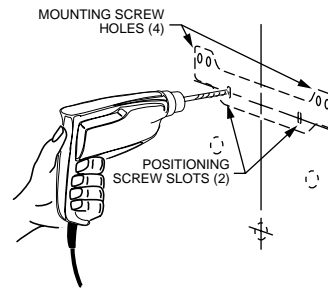
PEDESTAL TOP AND CONSOLE TABLE LEG INSTALLATION

1

NOTE: If replacing an existing lavatory be certain to shut off water supply before removing old lavatory.

Provide suitable reinforcement behind finished wall for lavatory hanger mounting screws. The desired rim height for the Standard pedestal top is 36". The centerline for the hanger positioning slots should be located at 30-3/4". (Make sure support bottom extends to pedestal top back wall bottom.)



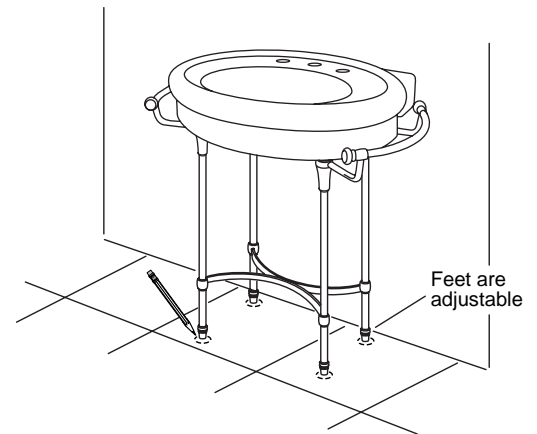
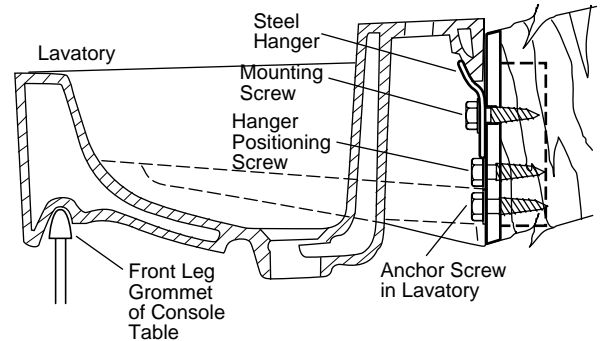
2**Fig. 1****Fig. 2**

Position hanger according to Step 1, making sure its center is aligned with the waste hole centerline (Fig. 1). Mark the hanger screw locations through its mounting holes. Drill pilot holes in positioning screw slots of hanger (Fig. 2).

3

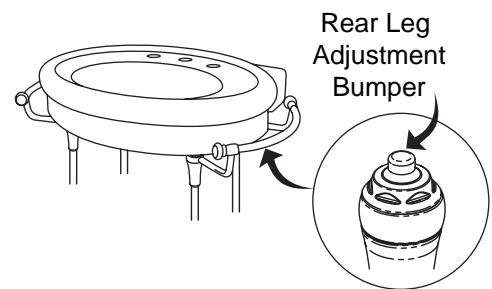
We recommend using two people for installation.

1. Affix hanger to wall (hand tighten only).
2. Move console table legs into approximate position against the wall.
3. Mount lavatory on bracket making sure the front leg grommets of console recess into the holes on the underside of the lavatory.
4. Mark the bottom anchor screw holes in the lavatory.
5. With a pencil, mark the floor around each foot of the console table.
6. Remove the lavatory and the console table legs.
7. Tighten the hanger positioning screws and drill pilot holes for bracket mounting screws and lavatory anchor screws. Install and tighten the bracket mounting screws.
8. Use 1/4" drill bit and drill holes marked on finished floor at least 1/8" deep.

**4**

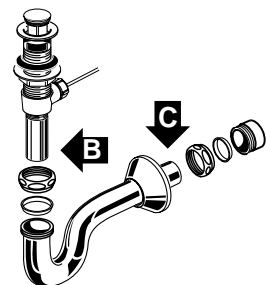
Following manufacturer's instructions, install faucet and drain assembly. (Not included). Be certain to apply a bead of sealing putty on the underside of the drain in order to ensure a watertight seal between the lavatory and drain. Remove excess putty after installing drain on lavatory.

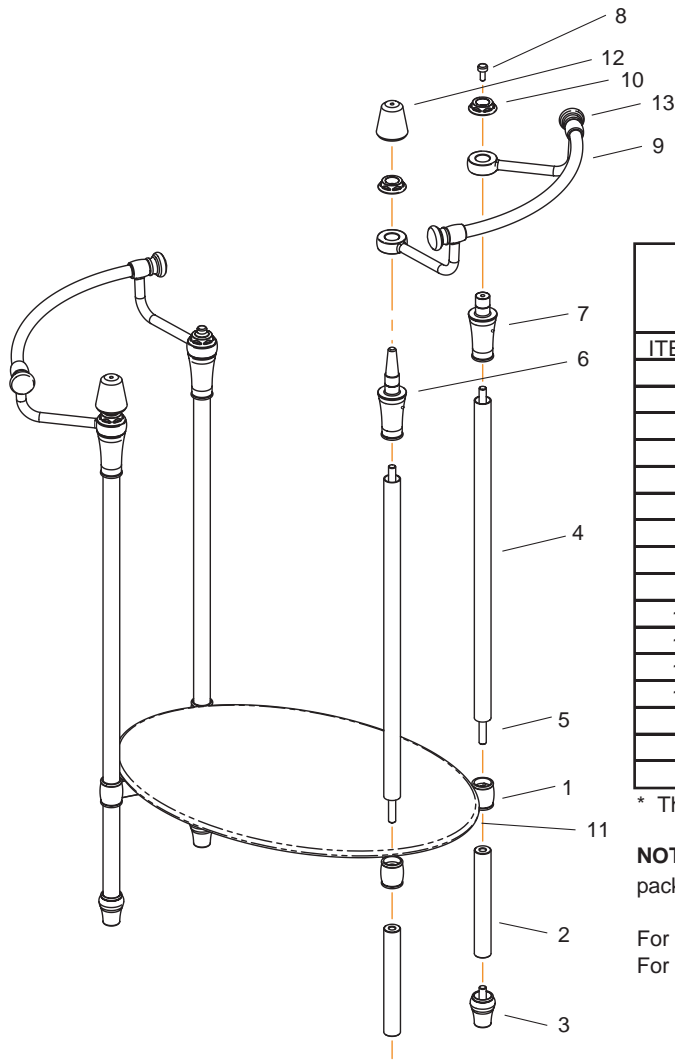
Move console table legs in place and position the feet in the holes previously drilled in the floor in Step 3. Return the fitted lavatory to the installed position. Level the lavatory by using the adjustable feet and the rear leg adjustment bumper on the console table legs.

**5**

Connect the trap to drain assembly hand tight to check alignment. It may be necessary to cut off part of the tailpiece (area "B") or part of the horizontal leg of the trap (area "C").

Secure lavatory on hanger as shown in Step 3. Insert and tighten anchor screws. Connect hot and cold supply lines to the shut-off valves. Tighten trap joints for watertight assembly. Apply a bead of caulk around the edge which contacts the wall as shown. Insert the oval glass shelf onto the shelf support of the console table legs.





8710 CONSOLE TABLE LEGS COMPONENTS LIST

Note: "XXX" represents color or trim finish options. Specify when ordering.

ITEM #	PART NO.	PACKED QTY.	DESCRIPTION
1	738632-XXX0A	1	Shelf Support
2	738630-XXX0A	4	Lower Leg Support
3	738628-XXX0A	4	Adjustable Foot Assembly
4	738625-XXX0A	4	Upper Leg
5	738629-0070A	4	Threaded Rod
6	738624-XXX0A	2	Front Leg Trumpet
7	738623-XXX0A	2	Rear Leg Trumpet
8	738622-0070A	2	Rear Leg Adjustment Bumper
9	738621-XXX0A	1	Towel Bar Assembly
10	738614-XXX0A	4	Towel Bar Retaining Nut
11	738612-0070A	1	Oval Glass Shelf
12	738613-0070A	2	Front Leg Grommet
13	738619-0200A	2	Ceramic Towel Bar Knobs
	382430-1120A	1	Steel Hanger Bracket
	738615-XXX0A	*	Elbow Brackets
	738620-XXX0A	*	Towel Bar

* These components are part of the Towel Bar Assembly (Item #9).

NOTE: Items 2, 3, and 5 (Lower Leg Support, Foot Assembly, and Thread Rod) are packaged preassembled.

For chrome, replace "XXX" with 002 when ordering.
For satin, replace "XXX" with 295 when ordering.

CARE INSTRUCTIONS: Rinse the product clean with clear water. Dry with a soft cotton flannel cloth.
DO NOT: Clean with soaps, acid, polish, abrasives, harsh cleaners, or a cloth with coarse surface.

AMERICAN STANDARD ONE-YEAR LIMITED WARRANTY

If inspection of this American Standard plumbing product, within one year after its initial purchase, confirms that it is defective in materials or workmanship, American Standard will repair or, at its option, exchange the product for a similar model.

This warranty **does not apply** to local building code compliance. Since local building codes vary considerably, the purchaser of this product should check with a local building or plumbing contractor to insure local code compliance before installation.

This warranty **shall be void** if the product has been moved from its initial place of installation; if it has been subjected to faulty maintenance, abuse, misuse, accident or other damage; if it was not installed in accordance with American Standard's instructions; or if it has been modified in a manner inconsistent with the product as shipped by American Standard.

American Standard's option to repair or exchange the product under this warranty does not cover any labor or other costs of removal or installation, **nor shall American Standard be responsible for any other incidental or consequential damages attributable to a product defect or to the repair or exchange of a defective product, all of which are expressly excluded from this warranty.** (Some states or provinces do not allow the exclusion or limitation of implied warranties, so this exclusion may not apply to you.)

This warranty gives you specific legal rights. You may have other statutory rights that vary from state to state or from province to province, in which case this warranty does not affect such statutory rights.

For service under this warranty, it is suggested that a claim be made through the contractor or dealer from or through whom the product was purchased, or that a service request (including a description of the product model and of the defect) be sent to the following address:

In the United States:
American Standard Inc.
P.O. Box 6820
Piscataway, New Jersey 08855
Attention: Director of Consumer Affairs

In Canada:
American Standard
2480 Stanfield Rd.
Mississauga, Ontario
Canada L4Y 1S2
Toll Free: (800) 387-0369
www.AmericanStandard.ca

In Mexico:
Customer Service Manager
Ideal Standard, S.A. de C.V.
Via Morelos #330
Col. Santa Clara
Ecatepec 55540 Edo. Mexico
www.AmericanStandard.com.mx

For residents of the United States, warranty information may also be obtained by calling the following toll free number: (800) 442-1902
www.AmericanStandard-US.com