


Anchor Fluid Power

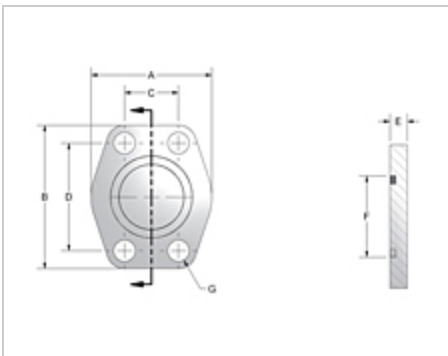
 5553 Murray Road
 Cincinnati, OH 45227

Phone: 513.527.4444 • **Fax:** 513.527.4449

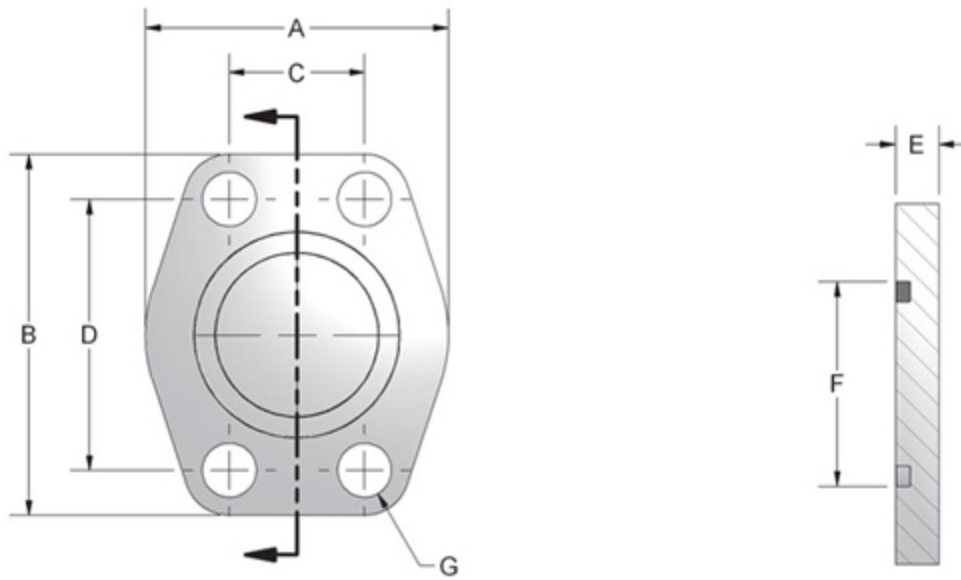
Email: sales@anchorfluidpower.com
ITEM # SP-8U, CD61/CD62 ZERO PSI SHIPPING PLATES

Anchor Fluid Power has developed a low cost solution to leaky, gasketless port covers. Forged steel shipping plates are 0.33" thick, silver trivalent plated for resistance to oxidation, and incorporate an O-Ring groove on one side for "Zero Pressure" applications. The opposite side has a machined flat-face for capping off hose ends. When ordering this part # you will receive: (1) Shipping Plate, (4) Hex Head Bolts, and (1) Buna N O-Ring.

List Price -

QUOTE

SPECIFICATIONS

Dimension Drawing



CD61/CD62 Zero PSI Shipping Plates

Type	Kit
Material	Carbon Steel
Code	Code 61
Pad Size	0.50 in
Dimension A	1.810 in
Dimension B	2.120 in
Dimension C	0.688 in
Dimension D	1.500 in
Dimension E	0.330 in
Dimension F	1.000 in
Dimension G	0.344 in
Mounting Hardware -	210

O-Ring

Mounting

Hardware -
HHCS

5/16-18 x 0.75

Applications

Cylinder Port Covers, Pump Port Covers, Stub-Out Header Line Covers,
Maintenance Work and Great for Painting Protection

Not for use on Dynamic or Pressurized applications.