

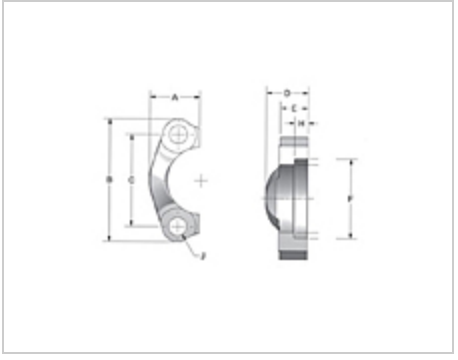


**Anchor Fluid Power**  
5553 Murray Road  
Cincinnati, OH 45227  
**Phone:** 513.527.4444 • **Fax:** 513.527.4449  
**Email:** [sales@anchorfluidpower.com](mailto:sales@anchorfluidpower.com)

ITEM # 48SFO-S/S, SAE J518 SPLIT STAINLESS STEEL FLANGES

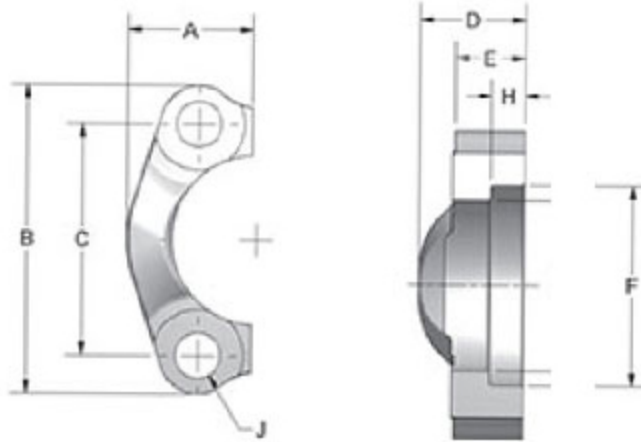
Anchor part # includes: (1) split flange half only.  
Kit part # includes: (2) split flange halves, (4) hex head bolts with lock washers, and (1) Viton O-Ring.

List Price	-
<b>QUOTE</b>	



**SPECIFICATIONS** -

## Dimension Drawing



SAE J518 Split Stainless Steel Flanges

<b>Type</b>	Kit
<b>Material</b>	Stainless Steel
<b>Code</b>	Code 61
<b>Flange Size</b>	3 in
<b>Dimension A</b>	2.53 in
<b>Dimension B</b>	5.310 in
<b>Dimension C</b>	4.188 in
<b>Dimension D</b>	1.62 in
<b>Dimension E</b>	0.880 in
<b>Dimension F</b>	4.031 in

<b>Dimension G</b>	3.580 in
------------------------	----------

<b>Dimension H</b>	0.355 in
------------------------	----------

<b>Dimension J</b>	0.656 in
------------------------	----------

<b>Mounting Hardware - O-Ring</b>	237
---	-----

<b>Mounting Hardware - HHCS</b>	5/8-11 x 1.75
---	---------------