

P21 SPEC SHEET

BUTTERFLY VALVES SIZES 2" - 6"

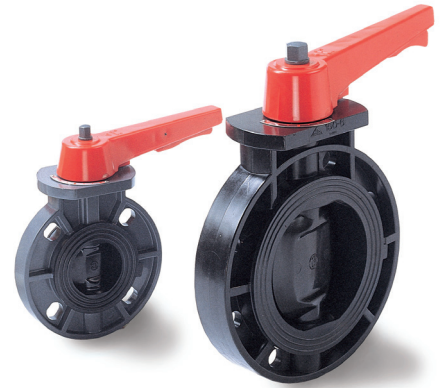
WITH Lever Handles

Style: Wafer

Seat: EPDM, FPM

Test Pressure: 150 PSI @ 73°F

Maximum Temperature: 140°F



Lever Operated with 7 position latch.

Handle gives clear indication of disc position.

Corrosion resistant.

Excellent flow characteristics.

Compact and lightweight design for energy savings and cost efficient operations.

Ideally suitable for applications with minimal piping space.

Size	2"	2 1/2"	3"	4"	5"	6"
$\varnothing D1$	4.76	5.51	5.98	7.52	8.50	9.49
$n-\varnothing e$	4 - 0.75	4 - 0.75	4 - 0.75	8 - 0.75	8 - 0.91	8 - 0.91
$\varnothing D$	6.52	7.28	7.87	9.02	10.12	11.34
$\varnothing D2$	2.22	2.74	3.13	4.04	5.10	5.89
$\varnothing D3$	4.17	4.69	4.88	5.30	6.46	6.69
<i>L</i>	7.83	7.83	7.83	9.92	11.69	11.69
<i>H</i>	9.76	10.51	10.96	12.52	14.72	16.04
<i>H1</i>	4.17	4.53	4.65	5.45	6.44	7.05
<i>H2</i>	3.26	3.64	3.94	4.51	5.06	5.67
<i>H3</i>	2.34	2.34	2.40	2.58	3.21	3.33
<i>W1</i>	1.67	1.85	1.85	2.24	2.68	2.76
<i>W2</i>	1.54	1.73	1.73	2.13	2.48	2.56
<i>W3</i>	3.7	3.7	3.7	3.92	4.33	3.98
<i>Cv</i>	120	260	310	480	830	1000

The Cv Factor is the gallons of water per minute passed through the valve, with a 1 PSI pressure drop.

SIZE	TORQUE (in/lbs)
2"	113
2 1/2"	191
3"	260
4"	391
5"	608
6"	738

DATE:



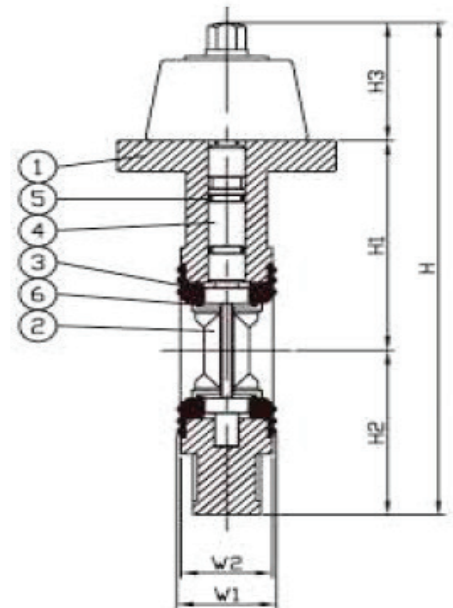
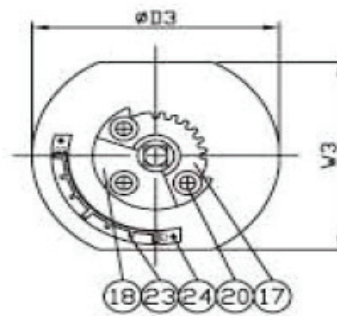
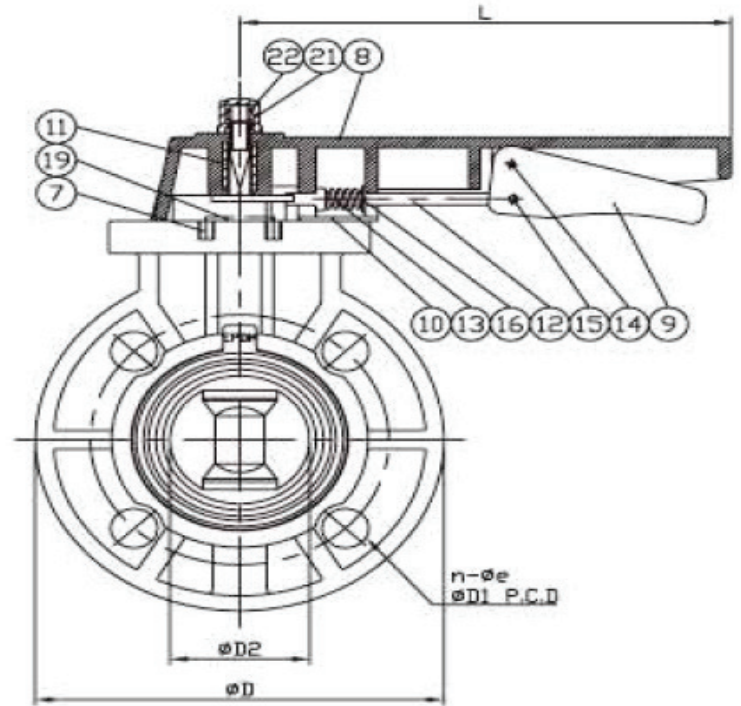
P21 SPEC SHEET

BUTTERFLY VALVES SIZES 2" - 6"

WITH Lever Handles

MATERIALS

NO.	PART	MATERIALS	QTY
1	Body	PVC	1
2	Disc	PP	1
3	Seat	EPDM, FPM	1
4	Stem	SUS	1
5	Stem O-Ring	EPDM, FPM	2
6	Disc O-Ring	EPDM, FPM	2
7	Insert Nut	C3602	3
8	Large Handle	PP	1
9	Small Handle	PP	1
10	Spring Lock	PP	1
11	Handle Insert	Stainless Steel	1
12	Handle Lever	SUS 304	1
13	Spring Lock	SUS 304	1
14	Spring Pin	SUS 304	1
15	Spring Pin	SUS 304	1
16	Washer	SUS 304	1
17	Locking Plate	SUS 304	1
18	Gear Seat	PVC	1
19	Stem Washer	SUS 304	1
20	Bolt	SUS 304	1
21	Nut	PVC	1
22	Insert Nut	C3602	1
23	Level	SUS 304	1
24	Rivet	SUS 304	1



DATE: