

GT-4260 AFR AcryIX Alcove Bathtub

Model number:

141082-000-002-501

Dimensions: 60" x 40.5" x 23.25"

Installation: Alcove

Material: AcryIX™



Standard Features:

- 5 1/2 inch wrap around backsplash
- Integrated apron & tiling flange
- Deck for faucet
- 15 3/4 inch deep sump
- Bottom bathing well : 41 1/2 inch L x 24 inch W

Product characteristics:

- Deck Space for Faucet
- Integrated Tiling Flange and Skirt
- Wrap around splash

Systems:

Homestead

Standard Colors:



White



Bone



Biscuit

Certifications

AKER products adhere to one or more of the following certifications:



GT-4260 AFR AcryIX Alcove Bathtub

Model number:

141082-000-002-501

Dimensions: 60" x 40.5" x 23.25"

Installation: Alcove

Material: AcryIX™

Dimensions

60 x 40 1/2 x 23 1/4 In.
(1524 x 1029 x 591 mm)

Weight

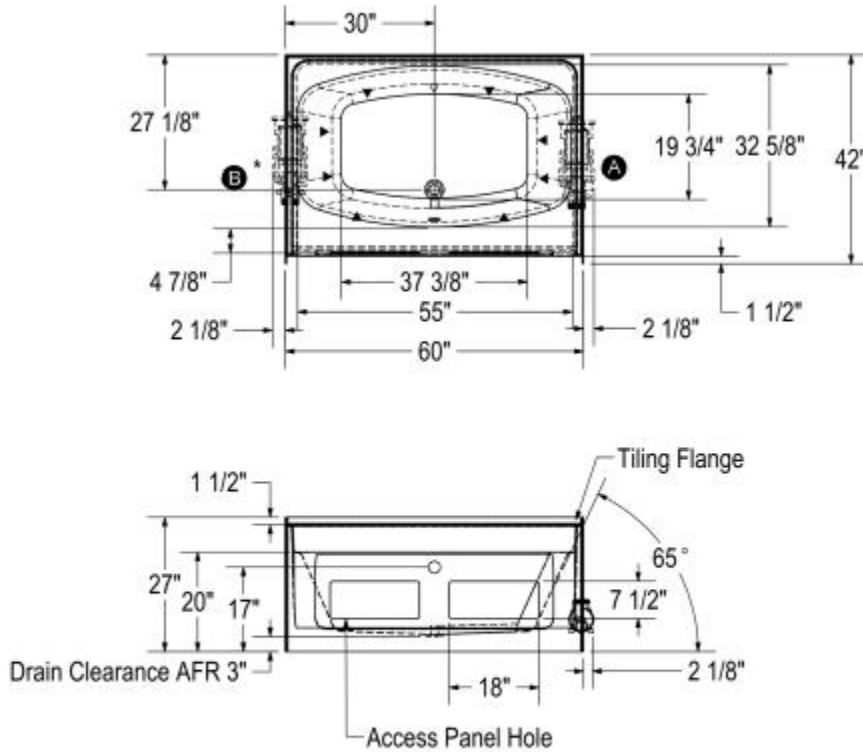
92 lbs - 42 kg

Drain location:

Center

Left

Right



- Ⓐ: Indicate standard pump location
- Ⓑ: Indicate optional pump location *(must order Option in price guide)
- ▲: Indicates whirlpool jet positioning
- ↳: Indicates suction positioning

All dimensions are approximate. Structure measurements must be verified against the unit to ensure proper fit.

Project: _____

Contractor: _____

Representative: _____

Date: _____

Tel: _____

Notes: _____

