

# SHLS/RS-60 alcove shower

**Model number:**

141036

**Dimensions:** 60" x 36" x 77"

**Installation:** Alcove

**Material:** AcryIX™



## Standard Features:

- One-piece shower with optional roofcap
- Two-level built-in corner shelves
- Right or left-hand seat with integrated footrest (opposite to seat)
- Center drain
- Textured floor
- Above-the-Floor Rough (AFR) model also available

## Product characteristics:

- One-Piece Unit
- Integrated Shelving
- Integrated Seat

## Warranty:

Lifetime limited

## Standard colors:



White (002)



Bone (004)



Biscuit (007)

## Certifications

ABG products adhere to one or more of the following certifications:



## Recommended doors (Visit our website for a complete list of our recommended doors)

Description	No
134675	Kameleon SC Sliding Shower Door 55-59 x 71 in. 8 mm
136272	Duel Sliding Shower Door 56-58 ½ x 70 ½-74 in. 8 mm
139350	Incognito 70 Sliding Shower Door 56-59 x 70 ½ in. 6 mm

## Options (Visit our website for a complete list of our options)

No	Description
<input type="checkbox"/> OPT 10171	Light for roofcap

# SHLS/RS-60 alcove shower

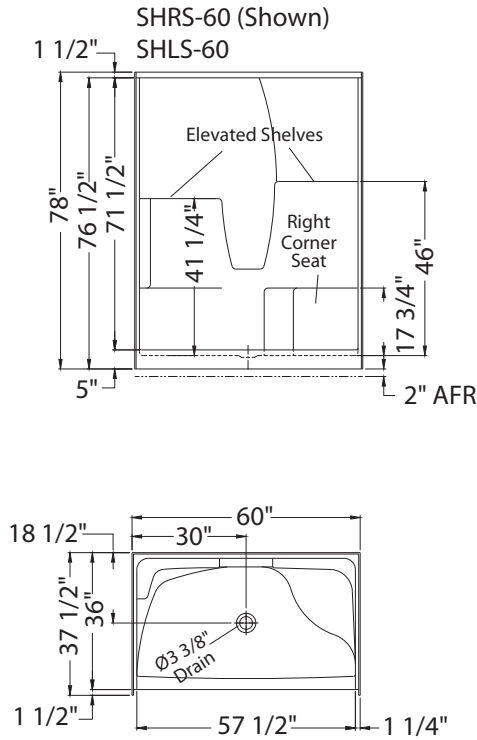
**Model number:**

141036

**Dimensions:** 60" x 36" x 77"

**Installation:** Alcove

**Material:** AcryIX™



**Dimensions:**

60 x 36 x 76 1/2 in.

**Weight:**

126 lbs -

**Shape:**

Rectangular

**Pieces:**

1

**Drain location:**

Left seat, center drain

Right seat, center drain

All dimensions are approximate. Structure measurements must be verified against the unit to ensure proper fit.

Project:

Contractor:

Representative:

Date:

Tel:

Notes: