

Finlay 58 x 32 AcrylX Freestanding Bathtub

Model number:

106997-000-002-100

Dimensions: 58" x 32" x 27.75"

Installation: Freestanding

Material: AcrylX™ Applied Acrylic

Standard Features:

- 2-piece AcrylX™ bathtub - transports and installs easily
- Linear waste and overflow included and factory installed
- White overflow trim and pop-up drain
- Faucet installation can be deck-mounted or floor-mounted
- Above-the-Floor Rough (AFR) and F2 Drain compatible
- Maximized bathing well with comfortable backrest

Product characteristics:

- Made in North America
- 1 Tub - 2 Pieces
- Adjustable Leveling Legs



Standard Colors:



White

Certifications

MAAX products adhere to one or more of the following certifications:



MAAX

Finlay 58 x 32 AcrylX Freestanding Bathtub

Model number:

106997-000-002-100

Dimensions: 58" x 32" x 27.75"

Installation: Freestanding

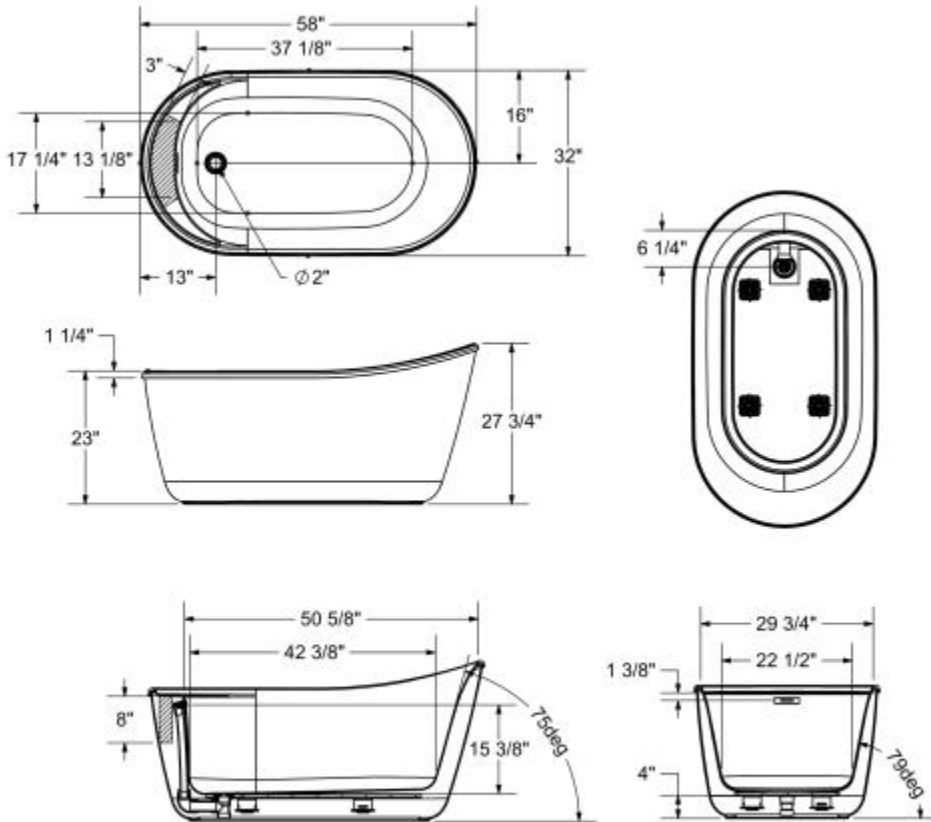
Material: AcrylX™ Applied Acrylic


Dimensions

58 x 32 x 27 3/4 In.
(1473 x 813 x 705 mm)

Drain location:

End



- All dimensions are approximate
 - Structure measurements must be verified against the unit to ensure proper fit
 - Installation to be completed in accordance with manufacturers specifications
 - Do not scale drawings
- () Recommended faucet area of 13 1/8" (L) x 3" (W). Depth recommended for straight pipes 8".

Project: _____

Contractor: _____

Representative: _____

Date: _____

Tel: _____

Notes: _____

MAAX