

Exhibit 7242 Acrylic Drop-in Bathtub

Model number:

106185-000-001-000

Dimensions: 71.875" x 42" x 18"

Installation: Drop-in

Material: Acrylic



Standard Features:

- Rectangular shape bathtub
- Drop-in or alcove installation with tiling flange
- Minimalist look with discreet armrests and textured floor
- End drain

Systems:

- Whirlpool
- Combined Whirlpool/Aeroeffect
- Aeroeffect

Standard Colors:



White

Certifications

MAAX products adhere to one or more of the following certifications:



MAAX

Exhibit 7242 Acrylic Drop-in Bathtub

Model number:

106185-000-001-000

Dimensions: 71.875" x 42" x 18"

Installation: Drop-in

Material: Acrylic

Dimensions

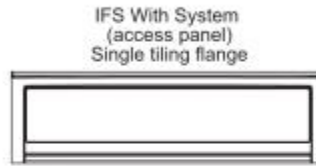
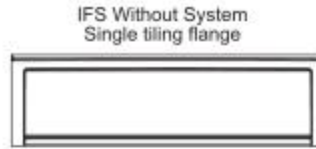
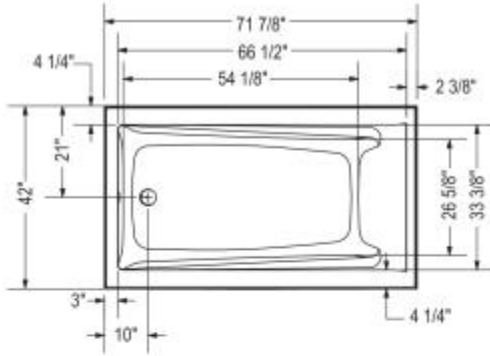
72 x 42 x 18 In.
(1826 x 1067 x 457 mm)

Weight

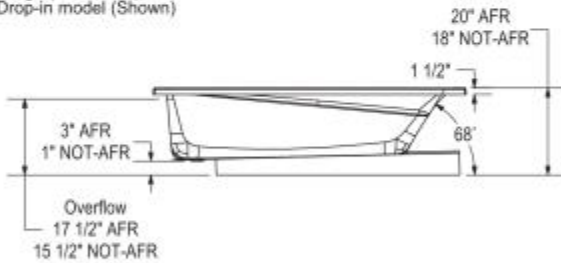
86 lbs - 39 kg

Drain location:

End



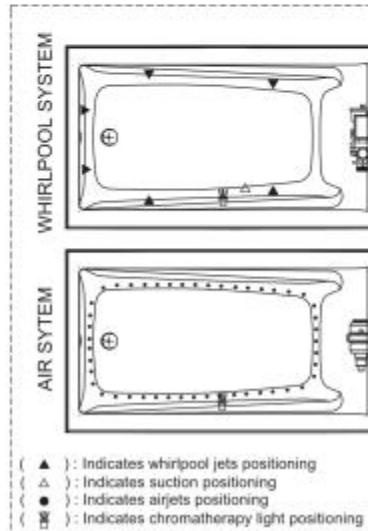
1" Single integrated tiling flange (not shown)
Drop-in model (Shown)



Technical drawing is universal for all Exhibit 7242 configurations.

Wood support design may vary.
Single Integrated tiling flange: 1" height x 1/4" thickness (not shown)

All dimensions are approximate.
Structure measurement must be verified against the unit to ensure proper fit.



Project: _____

Contractor: _____

Representative: _____

Date: _____

Tel: _____

Notes: _____

MAAX