

Exhibit 6042 IFS AFR Acrylic Alcove Bathtub

Model number:

106176-000-001-102

Dimensions: 59.875" x 42" x 20"

Installation: Alcove

Material: Acrylic



Standard Features:

- Rectangular shape bathtub in alcove installation
- Available in Above-the-Floor Rough (AFR) or not
- Minimalist look with discreet armrests and textured floor
- Deck for faucet installation
- When equipped with a system, the unit comes with an access panel

Systems:

Whirlpool
Combined Whirlpool/Aeroeffect
Aeroeffect

Standard Colors:



White

Certifications

MAAX products adhere to one or more of the following certifications:



MAAX

Exhibit 6042 IFS AFR Acrylic Alcove Bathtub

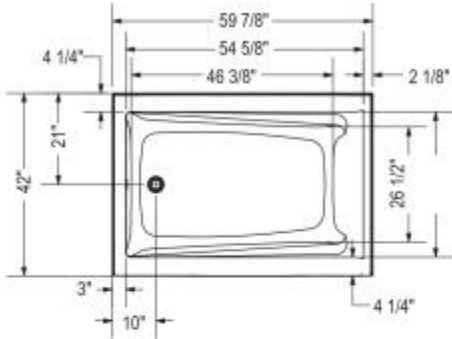
Model number:

106176-000-001-102

Dimensions: 59.875" x 42" x 20"

Installation: Alcove

Material: Acrylic



IFS Without System
Single tiling flange



IFS With System
(access panel)
Single tiling flange



Dimensions

60 x 42 x 20 In.
(1521 x 1067 x 508 mm)

Weight

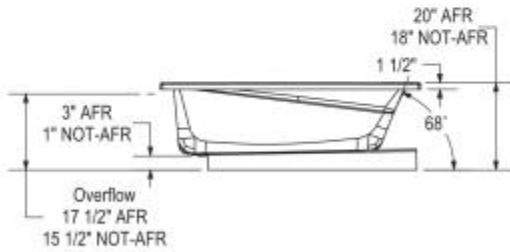
81 lbs - 37 kg

Drain location:

Left

Right

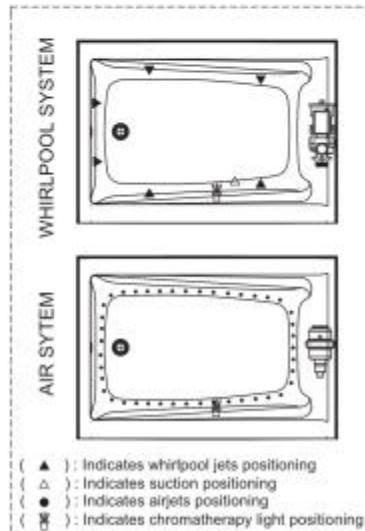
1" Single integrated tiling flange (not shown)
Drop-in model (Shown)



Technical drawing is universal for all Exhibit 6042 configurations.

Wood support design may vary.
Single Integrated tiling flange: 1" height x 1/4" thickness (not shown)

All dimensions are approximate.
Structure measurement must be verified against the unit to ensure proper fit.



- (▲) : Indicates whirlpool jets positioning
- (▽) : Indicates suction positioning
- (●) : Indicates airjets positioning
- (■) : Indicates chromotherapy light positioning

Project: _____

Contractor: _____

Representative: _____

Date: _____

Tel: _____

Notes: _____

MAAX