

# Exhibit 6030 IFS Acrylic Alcove Bathtub

**Model number:**

105519-000-001-103

**Dimensions:** 59.75" x 30" x 17.75"

**Installation:** Alcove

**Material:** Acrylic



## Standard Features:

- Alcove bathtub
- Acrylic surface resistant to stains
- Available in left-hand and right-hand drain configurations to fit your specific bathroom layout
- Integrated tiling flange for added leak protection and easy installation of shower walls

- Proudly made in North America

## Product characteristics:

- Elegant Design
- Integrated Tiling Flange and Skirt
- Integrated Tiling Flange and Skirt

## Systems:

- Whirlpool
- Combined Whirlpool/Aeroeffect
- Aeroeffect

## Standard Colors:



White

## Certifications

MAAX products adhere to one or more of the following certifications:



# MAAX

# Exhibit 6030 IFS Acrylic Alcove Bathtub

**Model number:**

105519-000-001-103

**Dimensions:** 59.75" x 30" x 17.75"

**Installation:** Alcove

**Material:** Acrylic

## Dimensions

59 3/4 x 30 x 17 3/4 In.  
(1518 x 762 x 451 mm)

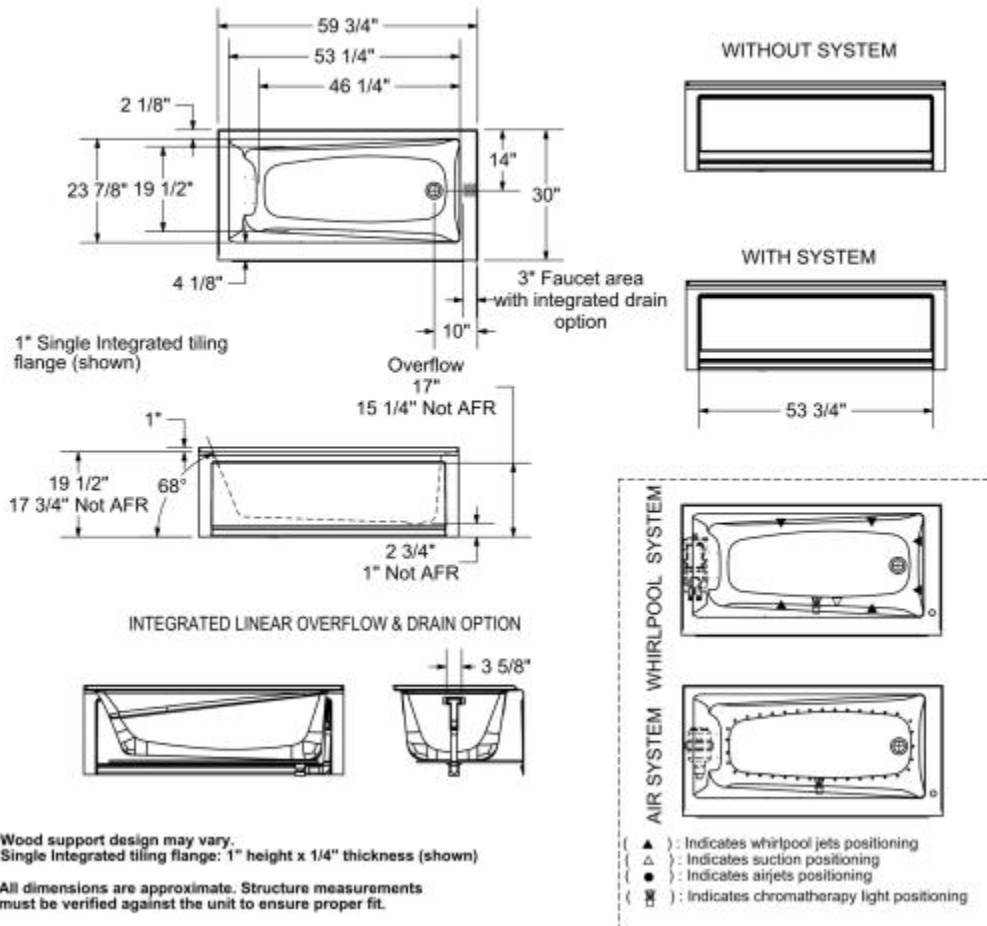
## Weight

77 lbs - 35 kg

## Drain location:

Left

Right



Project:

Contractor:

Representative:

Date:

Tel:

Notes:

# MAAX